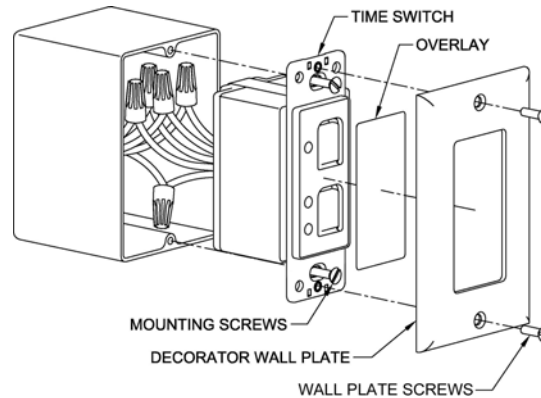


INSTRUCTIONS

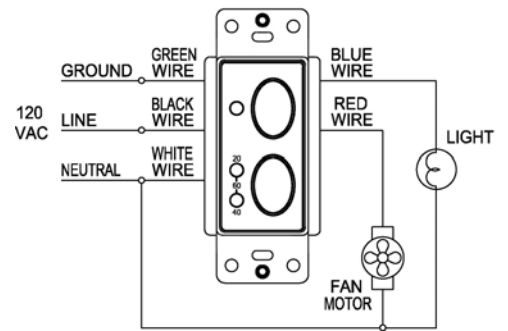
DIGITAL FAN/LIGHT TIME SWITCH

INSTALLATION

NOTE: INSTALLATION BY A LICENSED ELECTRICIAN IS RECOMMENDED. INSTALLATION AND USE OF THIS EQUIPMENT SHOULD BE IN ACCORDANCE WITH PROVISIONS OF THE U.S. NATIONAL ELECTRICAL CODE, APPLICABLE LOCAL CODES, AND PERTINENT INDUSTRY STANDARDS.



Installation Diagram



Wiring Diagram

- 1) **TURN POWER OFF at circuit breaker or fuse panel.**
- 2) Remove wall plate and existing switch from the wall box if one is presently installed.
- 3) Select white or ivory overlay matching decorator style wall plate to be used. Peel protective backing, and apply overlay to front, rectangular recess of time switch. *Be sure to align pushbutton and LED locations of overlay to time switch.*
- 4) Referring to Wiring Diagram, connect the wires from the fan/light time switch to the wires in the wall box using the wire nuts provided.
- 5) Carefully place wires and switch into wall box, and secure with two mounting screws provided.
- 6) Install decorator style wall plate (not included).
- 7) **Turn power ON at circuit breaker or fuse panel.**

OPERATION

- The "SWITCH LOCATOR" LED is intended to remain **ON** to assist finding the switch in a darkened room.
- Press the top "ON/OFF" switch once to turn the fan and light **ON**.
- Press the top "ON/OFF" switch again to turn the light **OFF**. **NOTE:** the fan will remain **ON** for the selected time delay (factory default setting is 20 minutes).
- When the time delay is completed, the fan will automatically shut **OFF**.
- Press the bottom "TIME DELAY SELECTION SWITCH" to cycle the fan time delay to 20, 40, or 60 minutes. The corresponding LEDs will light indicating the selected time period. **NOTE:** both "TIME DELAY" LEDs indicate a 60 minute time period.

