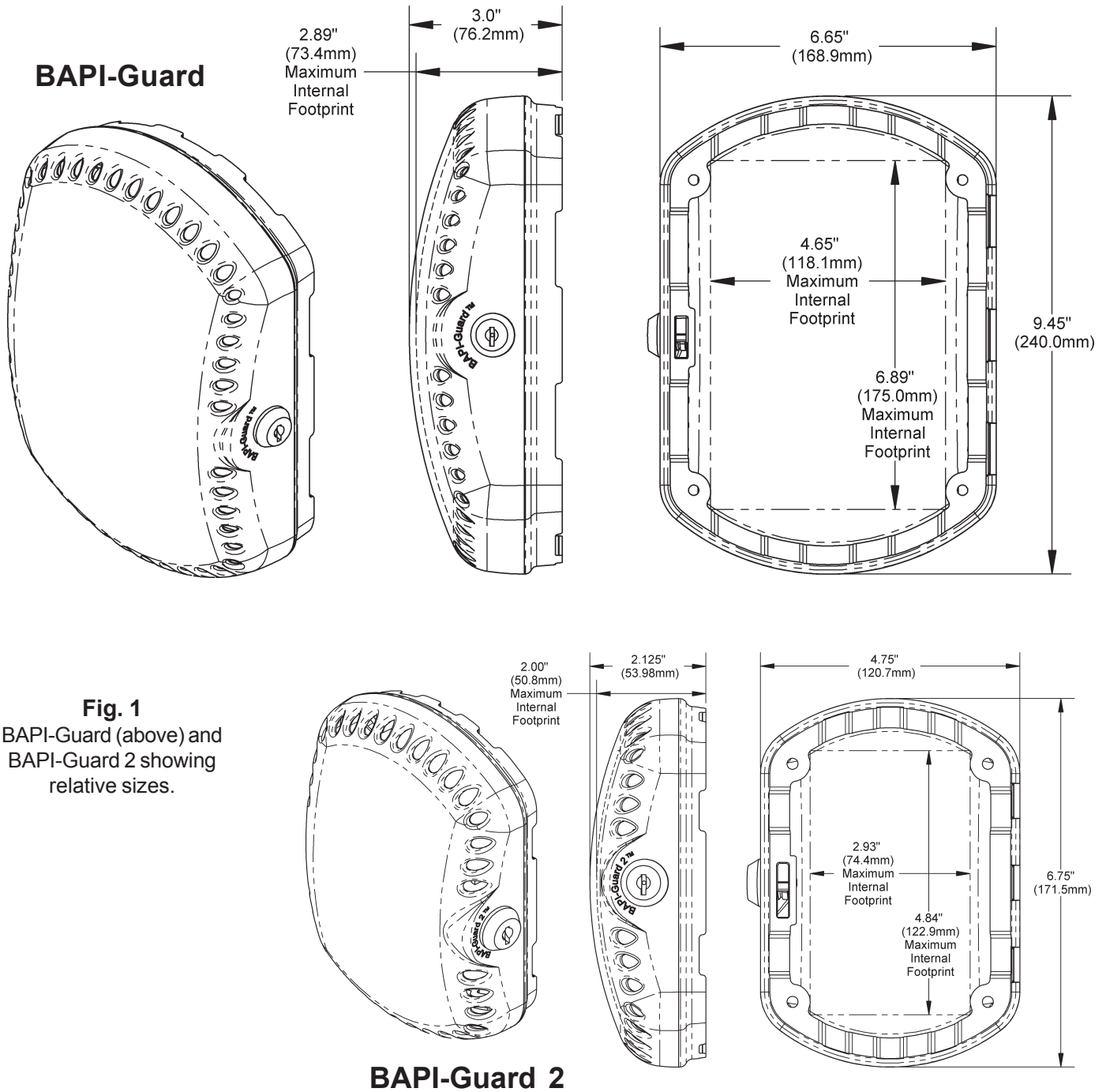


## Overview

The BAPI-Guard prevents tampering, physical damage and unauthorized adjustment of thermostats. The attractive, low profile design is available in two sizes to fit most thermostats. It is made of thick, durable polycarbonate and features exceptional airflow, key lock protection, horizontal or vertical mounting and easy installation with hardware included.



One key fits all BAPI-Guard locks. Order BAPI part number **BA/KEY16187** for replacement keys. You can only remove the key from the BAPI-Guard lock in the locked position.

Specifications subject to change without notice.

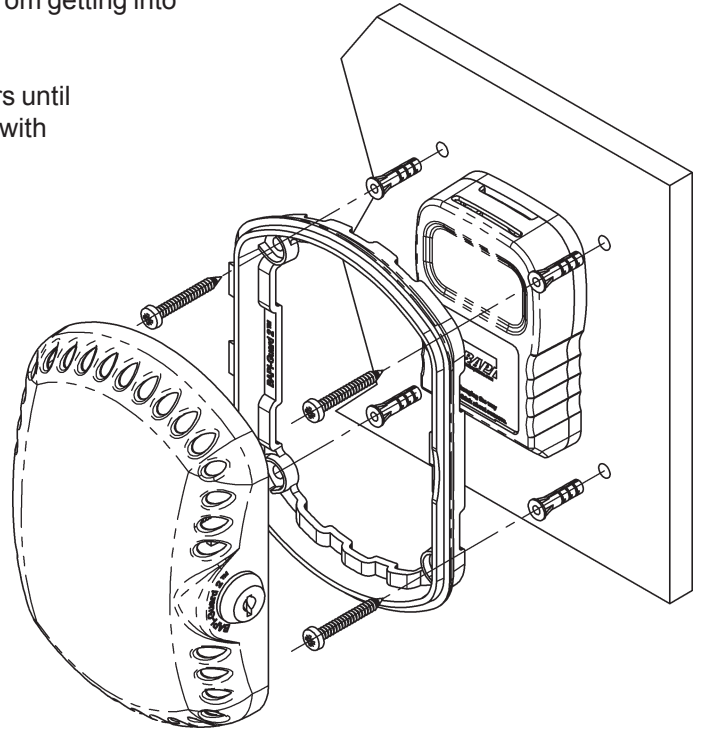
## Mounting

The BAPI-Guard's cover comes off the mounting base; it does not rotate on a hinge. To remove the cover open the lock by rotating the key 1/4 turn clockwise, open the cover about 15 degrees to the base and push off to the "hinge" side.

Place the base over the device to be protected and mark for the mounting holes. Cover device to be protected with a damp towel to prevent dust from getting into protected device.

For drywall, drill four 9/32-inch (7.1mm) holes. Insert the anchors until they are flush with the wall surface. Attach the base to the wall with the drywall screws. (See figure 3 below)

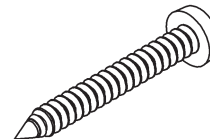
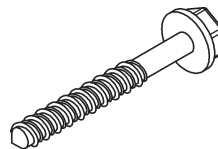
For concrete or cinder block, drill four 5/32-inch (4mm) holes, 1-3/4 inch (45mm) deep. Attach the base to the wall with the concrete screws. (See figure 3 below)



## Tool List

### Tools Required

- Pencil
- Hammer
- #2 Phillips screwdriver
- 5/16 inch (8mm) nut driver (for concrete screws)
- Hand Drill
  - 9/32 inch (7.1mm) drill bit (for drywall)
  - 5/32 inch (4mm) drill bit (for concrete)



**Fig. 3**  
Mounting Screws,  
Concrete screw on the  
left, Drywall screw on  
the right.

Specifications subject to change without notice.