

Introduction

The SC-652 Series current sensor monitors line current for electrical loads such as pumps, conveyors, machine tools or fans and outputs an analog 4-20 mA signal to represent the load current. The SC-652 split-core series opens to allow for ease of installation on existing electrical cables.

The sensor is loop powered and requires an external 15-30 Vdc power supply. The power supply must be $10 \text{ Vdc} + (R_{\text{load}} \times 20 \text{ mA})$ where R_{load} is the input resistance of the device measuring the signal. So if R_{load} is 250Ω the minimum power supply is 15 Vdc. The measured AC line current can be calculated as $I_{\text{line}} = (I_{\text{loop}} - 4 \text{ mA}) \times (I_{\text{range}} / 16)$. The device is factory calibrated to $< \pm 2\%$ FSO and features either three switch-selectable current range and fixed range models.

The sensors are typically used to monitor motor operation and can be used to determine motor failure, belt loss, machine feed rates or tool wear.

**** WARNING ****

- **Electric Shock Hazard, Use Caution**
- Disconnect and lock out power before installation
- Follow national and local electrical codes
- Read and understand these instructions before installing
- Installation only by qualified electrical personnel
- Do not rely on this device to indicate line power
- Only install this device on insulated conductors
- Only install on 600 Vac maximum conductors
- Do not use this device for life-safety applications
- Do not install in hazardous or classified locations
- Install this product in a suitable electrical enclosure
- Failure to follow these instructions may result in serious injury or death.

Installation

- Read all warnings before beginning
- Ensure the selected device has the correct ratings for your application
- Set the range switch to the desired range. (See Figure 1) (The SC-652-200 has one fixed range of 0-200 Amps. See Figure 2.)
- **Disconnect and lock out power**
- Mount the sensor with two screws through the base or snap onto a standard DIN mounting rail.

The base has an integral mounting tab to allow either screw mount to a surface or spring mount to a DIN rail.

To mount the device to a flat surface, select an area that will allow side and top access to wire device. If predrilling is required, the actual device may be used to mark holes or simply cut out the pattern below in Figure 3. The mounting holes in the base will accommodate up to a #10 size screw (Not supplied) . See Figure 3.

For DIN rail mounting, hook one side to the DIN rail and snap onto the rail. See Figure 4.

For ease of installation of either screw or DIN rail mounting, the base may be removed from the sensor, installed and the sensor inserted.

Figure 4

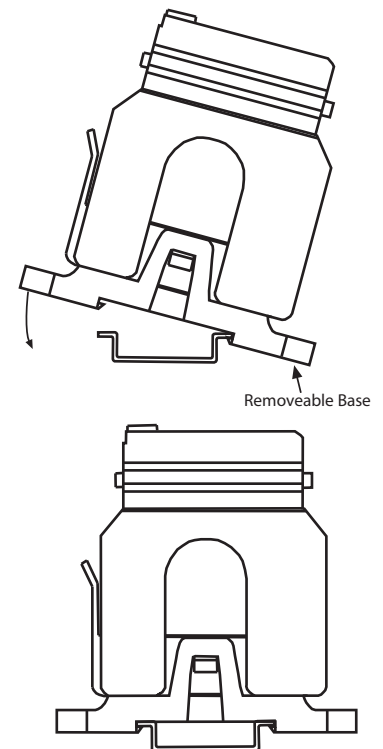
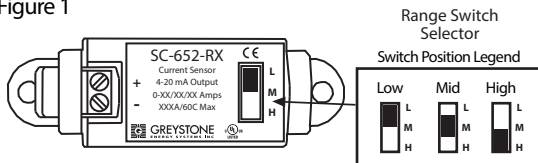


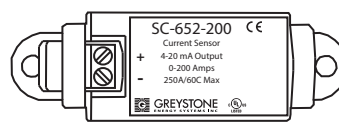
Figure 1



SC-652-R1 Ranges
Low (L) = 0 to 20 Amps
Mid (M) = 0 to 40 Amps
High (H) = 0 to 60 Amps

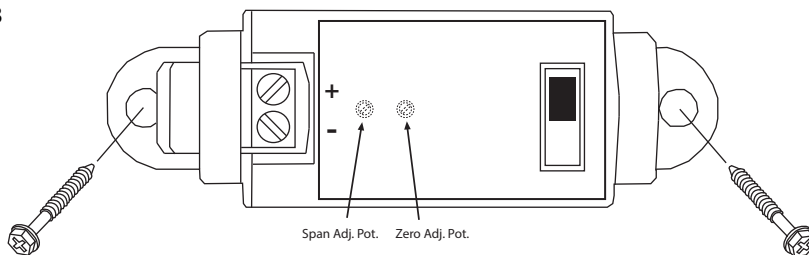
SC-652-R2 Ranges
Low (L) = 0 to 50 Amps
Mid (M) = 0 to 100 Amps
High (H) = 0 to 150 Amps

Figure 2



SC-652-200 Range
No Setup is required

Figure 3



Actual Size (May be cut and used as a template for predrilling mounting holes)

Installation continued

- The SC-652 may be opened by slightly pulling the tab and pulling upward and swiveling the device. (See Figure 5). Place the monitored conductor (must be insulated) through the sensor hole and close the sensor until snapped into place. (See Figure 6)
- Observe polarity and wire the output to the controller. Use 14-22 AWG shielded wiring for all connections and do not locate the device wires in the same conduit with wiring used to supply inductive loads such as motors. Make all connections in accordance with national and local codes. (See Figure 7)
- Ensure the controller scale matches the sensed range. See specifications for model ranges
- Reconnect the power

Applications

All models are factory calibrated to operate within $\pm 2\%$ of FSO. If field calibration is required or a custom measurement range is desired, simply peel back the top label to expose the calibration pot. See Figure 3. The adjustment pot sets the current span of the device and may be adjusted by about $\pm 20\%$ of FSO.

For applications with load currents exceeding the sensor current ranges use an external CT to reduce the current to an acceptable value. For example, to measure a 500 Amp load current, use a 500A:5A CT and wrap the CT secondary through the SC-652-R1 four times on the 20 Amp range so the sensor output will be 0-10 Vdc = 0-500 Amps.

For applications with small load currents (such as less than 5 Amps), wrap the monitored conductor through the sensor aperture several times to increase the current measured by the sensor. For example, to measure 0-5 Amps with a SC-651-R1, wrap the conductor through the sensor aperture 4 times on the 20 Amp range so the sensor output will be 0-10 Vdc = 0-5 Amps.

For external CT or multiple wrap applications, ensure the controller is scaled accordingly to obtain correct readings.

For any application with multiple wraps, note that the SC-652 maximum current rating must be divided by the number of wraps. For example, with one wrap the maximum current is 100 Amps, with 5 wraps the maximum current is $100/5 = 20$ Amps. Ensure the load current is < 20 Amps or the device may overheat and be damaged.

Note: These may not be practical applications, select the correct device for the current range required.

Specification:

- Measurement Range:.....**SC-652-R1:** 0-20/40/60 Amps
SC-652-R2: 0-50/100/150 Amps
SC-652-200: 0-200 Amps
- Maximum Input Current:.....**SC-652-R1:** 100 Amps Continuous
SC-652-R2: 150 Amps Continuous
SC-652-200: 250 Amps Continuous
- Accuracy:.....**SC-652-R1/R2:** $\pm 2\%$ FSO (5-100% of range)
SC-652-200: $\pm 1\%$ FSO (5-100% of range)
- Signal Output:.....4-20 mA
- Sensor Power:.....15 to 30 Vdc (loop-powered)
- Insulation Class:.....600 Vac, insulated conductors
- Frequency:.....50/60 Hz
- Response Time:.....250 mS Typical, 0-90 %
- Output Load:.....250 Ω typical
- Maximum Load:..... $>600 \Omega @ 24$ Vdc
- Operating Temperature:.....-15 to 60 $^{\circ}\text{C}$ (5 to 140 $^{\circ}\text{F}$)
- Operating Humidity:.....5 to 90% RH non-condensing
- Terminal Block:.....14 to 22 AWG
- Dimensions:.....76 x 79 x 24.9 mm
(3 x 3.1 x 0.98 in)
- Sensor Aperture:.....20.3 mm (0.8 in)
- Enclosure Material:.....ABS/PC, UL94 V-0
- Agency Approvals:.....cULus Listed

