

RELAYS & CONTACTORS



FUNCTIONAL DEVICES BACNET RELAY IN A BOX RIBTW2401B-BC, RIBTW2402B-BC



DESCRIPTION

The Model RIBTW2401B-BC and RIBTW2402B-BC from Functional Devices are open-protocol relays controlled from a remote location using a BACnet network. These are also available in the LonWorks protocol. The relay is powered locally, and communication with the network is over a twisted pair of wires. Using standard BACnet or LonWorks objects, the relay can be commanded on and off over the network and the relay state communicated back. A separate digital input is provided to conveniently allow the state of a status feedback signal from a current switch (or other switched feedback device) to be communicated on the network. Click on the related parts and pricing tab for a more complete listing of available models.



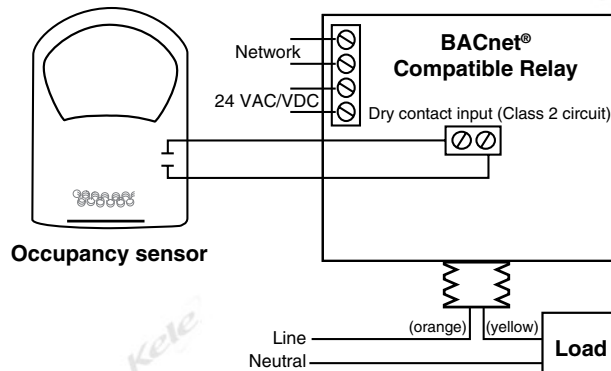
RIBTW2401B-BC



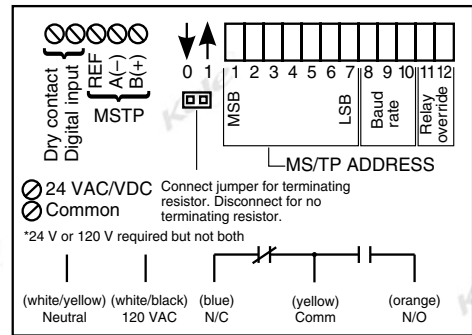
FEATURES

- Enclosed BACnet relay with 20A contacts
- Additional dry contact input (powered by Class 2 circuit)
- LED indication of network status and relay status
- UL listed and BACnet compatible, CE

APPLICATION



WIRING



SPECIFICATIONS

Supply Voltage	24 VAC @ 111 mA, 24 VDC @ 81 mA, 120 VAC @ 96 mA	LED Indication	Green: network status, Red: relay status
Contact Rating	20A resistive @ 277 VAC, 20A ballast N.O. @ 120/277 VAC, N.C. @ 277 VAC, 10A tungsten N.O. @ 120 VAC, 1110 VA pilot duty @ 277 VAC, 770 VA pilot duty @ 120 VAC, 2 hp @ 277 VAC, 1 hp @ 120 VAC	Operating Temperature	-30° to 140°F (35° to 60°C)
Frequency	50/60 Hz	Operating Humidity	5% to 95% non-condensing
Relay Type	SPDT	Housing Type	NEMA 1, plenum rated
Duty	Continuous duty	Conduit Hub	1/2" NPT
Life Expectancy	10 million cycles minimum	Dimensions	4"H x 4"W x 1.8"D (10.2 x 10.2 x 4.6 cm) 1/2" NPT nipple
Baud Rate	9600, 19200, 38400, 57600, 76800, and 115200	Approvals	UL listed file #E68805, CE certified, BACnet certified
		Weight	0.83 lb (0.38 Kg)
		Warranty	1 year

ORDERING INFORMATION

MODEL	DESCRIPTION
RIBTW2401B-BC	BACnet RIB relay, SPDT, 24 VAC/VDC or 120 VAC power input
RIBTW2402B-BC	BACnet RIB relay, SPDT, 24 VAC/VDC or 208/277VAC power input