

DIMENSIONS ARE IN INCHES
 TOLERANCES: (UNLESS NOTED)
 3 PLACE DECIMAL = ±0.010
 2 PLACE DECIMAL = ±0.015
 1 PLACE DECIMAL = ±0.050
 DIMENSIONS IN INCHES
 DRAWING NOT TO SCALE

PROPRIETARY AND CONFIDENTIAL
 THE INFORMATION CONTAINED IN THIS
 DRAWING IS THE SOLE PROPERTY OF
 AUTOMATION COMPONENTS INC. ANY
 REPRODUCTION IN PART OR AS A WHOLE
 WITHOUT THE WRITTEN PERMISSION OF
 AUTOMATION COMPONENTS INC. IS
 PROHIBITED.



ITEM NUMBER:

DEBURR AND BREAK
 SHARP EDGES

DESCRIPTION:
 FLS Series - Manual

DWG. NO.
 M0000641

REV
 2

MATERIAL:

DATE:

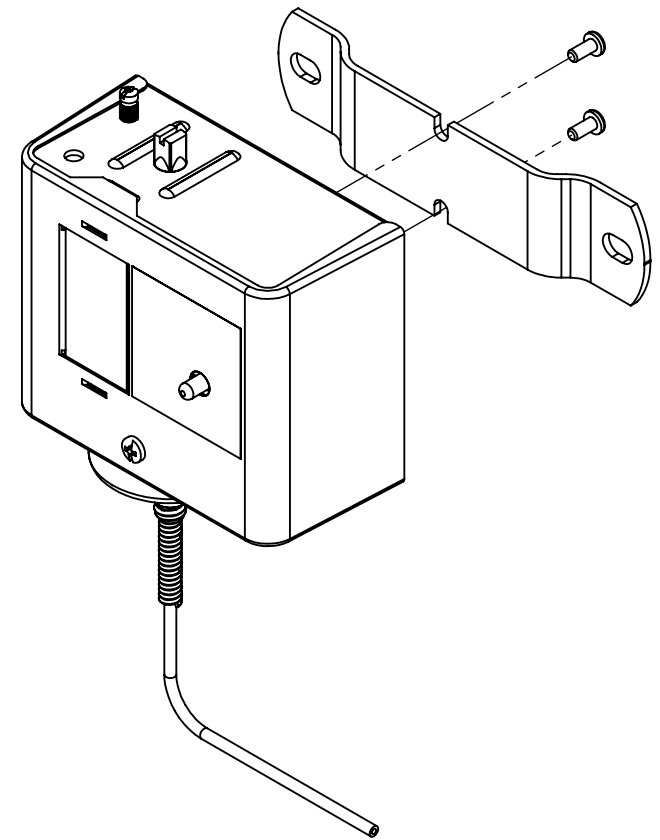
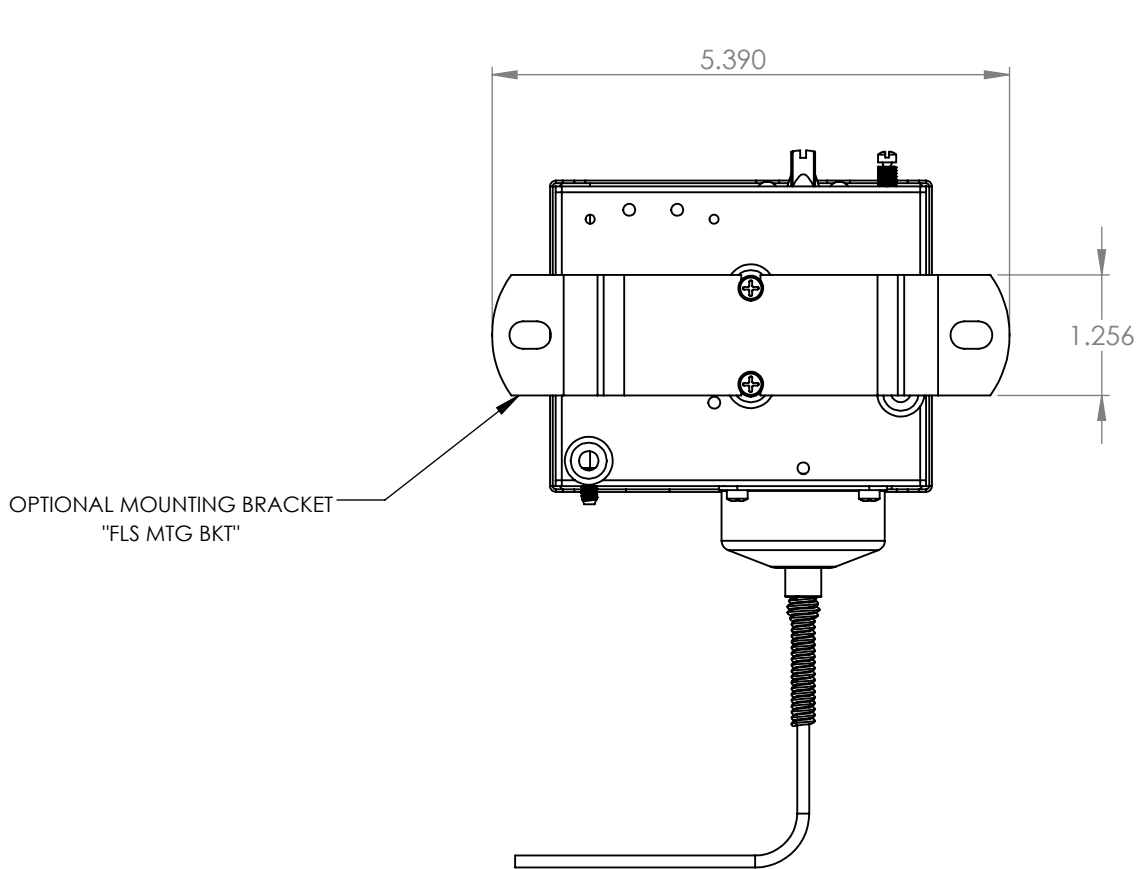
DRAWN BY:

APPROVED BY:

SCALE: 1:5

DO NOT SCALE DRAWING

SHEET 1 OF 2



DIMENSIONS ARE IN INCHES
TOLERANCES: (UNLESS NOTED)
3 PLACE DECIMAL = ± 0.010
2 PLACE DECIMAL = ± 0.015
1 PLACE DECIMAL = ± 0.050
DIMENSIONS IN INCHES
DRAWING NOT TO SCALE

PROPRIETARY AND CONFIDENTIAL
THE INFORMATION CONTAINED IN THIS
DRAWING IS THE SOLE PROPERTY OF
AUTOMATION COMPONENTS INC. ANY
REPRODUCTION IN PART OR AS A WHOLE
WITHOUT THE WRITTEN PERMISSION OF
AUTOMATION COMPONENTS INC. IS
PROHIBITED.



ITEM NUMBER:

DEBURR AND BREAK
SHARP EDGES

DESCRIPTION:
FLS Series - Manual

DWG. NO.
M0000641

REV
2

MATERIAL:

DATE:

DRAWN BY:

APPROVED BY:

SCALE: 1:5

DO NOT SCALE DRAWING

SHEET 2 OF 2