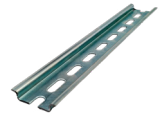
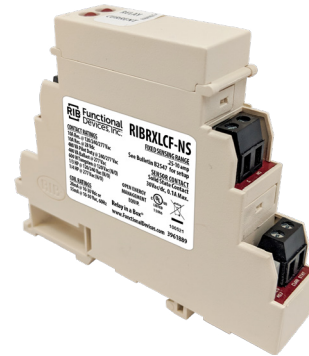
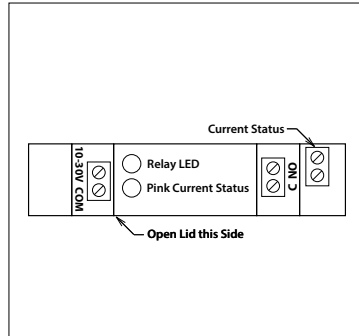
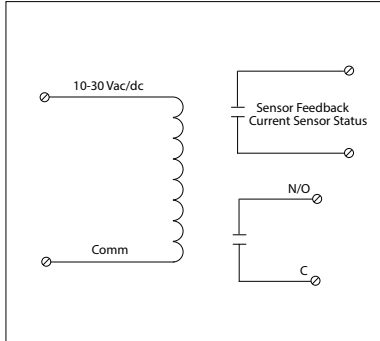


10 AMP PILOT CONTROL RELAY

RIBRXLCF-NS

DIN Mount Relay 10 Amp SPST with 10-30 Vac/dc Coil and Fixed Current Sensor



ADIN35
DIN Rail Perforated
35mm x 7.5mm x 1m



ADIN35ES
Pair of End Stops
for 35mm DIN Rail

Models ADIN35 and ADIN35ES sold separately. See data sheet on website for more product information.

Specifications

Relays & Contact Type: One (1) SPST Continuous Duty Coil
Expected Relay Life: 10 million cycles minimum mechanical
Operating Temperature: -30 to 140° F
Humidity Range: 5 to 95% (noncondensing)
Operate Time: 20mS
Relay Status: LED On = Activated
Dimensions: 3.88" x 2.76" x 0.78"
Terminal Strip: 14-22 AWG wire
Approvals: UL Listed, UL916, C-UL, CE, RoHS
Gold Flash: Yes
Sensing Range: .25 - 10A
Accessories: ADIN35, ADIN35ES

Contact Ratings:
 10 Amp Resistive @ 277 Vac
 10 Amp Resistive @ 28 Vdc
 480 VA Pilot Duty @ 240/277 Vac
 480 VA Ballast @ 277 Vac
 Not rated for Electronic Ballast
 600 Watt Tungsten @ 120 Vac
 1/3 HP @ 120-240 Vac
 1/4 HP @ 277 Vac

Power and Control Voltage:
 10-30 Vac/dc ; 50-60 Hz
 Drop Out = 2.1 Vac / 2.8 Vdc
 Pull In = 9 Vac / 10 Vdc

Coil Current:
 33 mA @ 10 Vac 13 mA @ 10 Vdc
 35 mA @ 12 Vac 15 mA @ 12 Vdc
 46 mA @ 24 Vac 18 mA @ 24 Vdc
 55 mA @ 30 Vac 20 mA @ 30 Vdc

Sensor Contact:
 Solid State Contact
 30Vac/dc, 0.1A Max.

- When current sensor status is off (open), leakage <30 uA @ 30Vac/dc
- When current sensor status is on (closed), voltage drop < .3 Vac/dc @ .1 Amp