

UL98 Motor Disconnect Switch - Stainless Steel Enclosure



- Can be used locally at the motor
- UL Type 4X
- Ideal where chemicals are used for cleaning and maintenance such as food processing and breweries
- Mining is another application area
- Stainless Steel (Grade AISI 316)
- Corrosion Resistant
- IEC IP65 Protection Level
- Lockable - Defeatable Handle



All Models are lockable with up to 3 padlocks.

Catalog Number

- Yellow/Red Handle
- Black Handle

KER360UL98 Y/R
KER360UL98

KER460UL98 Y/R
KER460UL98

KER3100UL98 Y/R
KER3100UL98

KER4100UL98 Y/R
KER4100UL98

No. of Poles*	3	4	3	4
General Purpose Current	60 A	60 A	100 A	100 A
Maximum Voltage	600V AC	600V AC	600V AC	600V AC

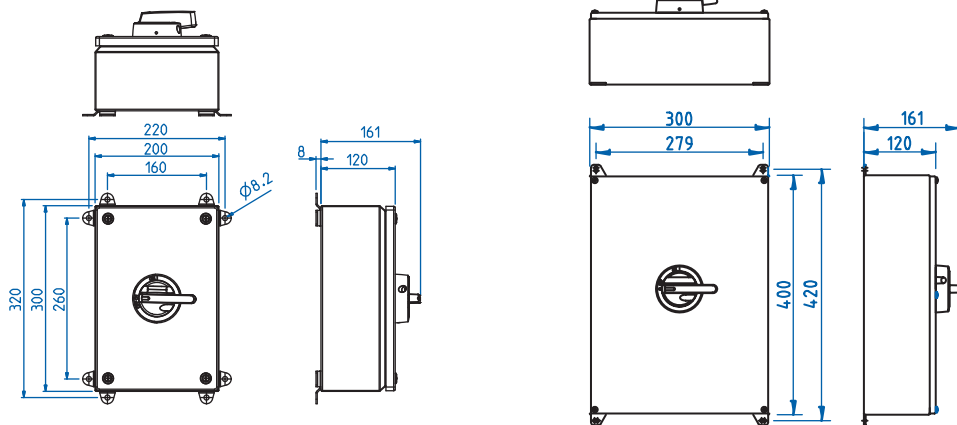
Horsepower Rating /HP	1 Phase	3 Phase	1 Phase	3 Phase	1 Phase	3 Phase	1 Phase	3 Phase
120V AC	3	—	3	—	5	—	5	—
240V AC	7.5	20	7.5	20	10	25	10	25
480V AC	—	40	—	40	—	50	—	50
600V AC	—	60	—	60	—	75	—	75

Short Circuit Withstand Rating at 600 V	50 kA/60 A Class J	50 kA/60 A Class J	50 kA/100 A Class J	50 kA/100 A Class J
---	--------------------	--------------------	---------------------	---------------------

Terminal Size Acceptability (Cu Conductors only, 75°C)	8-1/0 AWG	8-1/0 AWG	8-1/0 AWG	8-1/0 AWG
---	-----------	-----------	-----------	-----------

Dimensions & Size	H01	H01	H02	H02
-------------------	-----	-----	-----	-----

(to convert to inches multiply by 0.03937)



Weight	3.3 kg	3.4 kg	6.9 kg	7.0 kg
--------	--------	--------	--------	--------

Suitable Accessories

AUXILIARY SWITCHES



Cat. No.	1.V160KU	2.V160KU
No. of Contacts	1n.o./1n.c.	2n.o./2n.c.
Electrical Rating	16 A/1/2HP/125-250V AC	

* 6 and 8 pole versions along with changeover version available upon request.