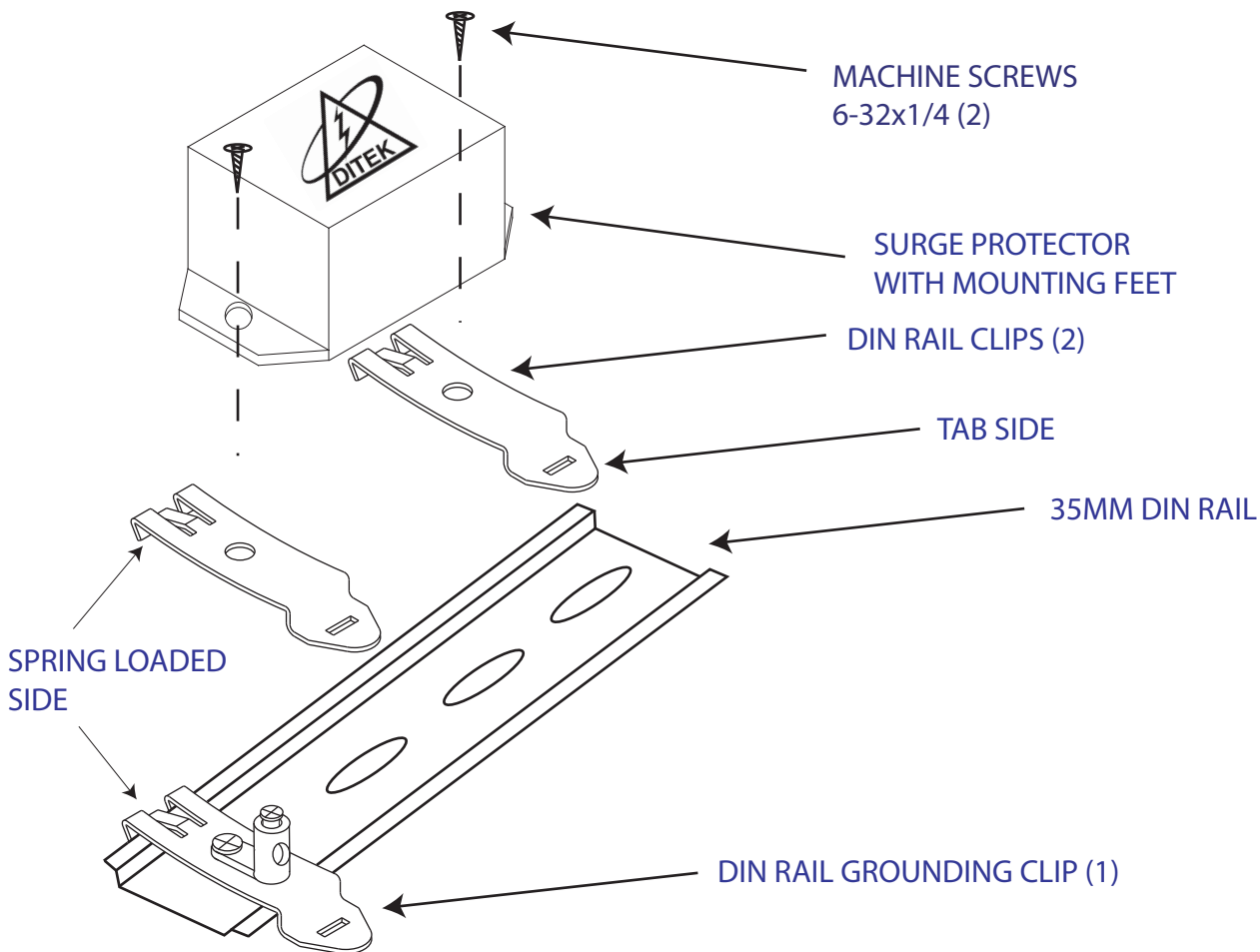


DTK-DRK INSTALLATION INSTRUCTIONS

DIN RAIL MOUNTING KIT FOR DITEK SURGE PROTECTORS

NOTE: THIS MOUNTING KIT IS INTENDED FOR USE ON ALL STANDARD 35MM DIN RAILS .
 THE DIN RAIL MUST BE TERMINATED OR BONDED TO AN APPROPRIATE GROUNDING POINT.
 GROUND RESISTANCE RULE: MAX GROUND RESISTANCE IS 25 OHMS, 5 OHMS OR LESS IS OPTIMUM.
 THIS CANNOT BE AN ASSUMED VALUE AND MUST BE MEASURED TO ASSURE PROPER GROUNDING.

1. FASTEN THE SURGE PROTECTOR'S MOUNTING FEET TO THE DIN RAIL CLIPS AS SHOWN IN THE DIAGRAM BELOW, USING THE MACHINE SCREWS PROVIDED, BEFORE BEGINNING INSTALLATION.
2. TO INSTALL, FIRST POSITION THE SPRING LOADED SIDE OF THE MOUNTING CLIP TO THE TOP DIN RAIL EDGE, THEN SNAP THE TAB SIDE OF THE MOUNTING CLIP OVER THE OPPOSITE EDGE OF THE DIN RAIL.
3. REPEAT STEP # 2 FOR THE GROUNDING CLIP, POSITIONING THE CLIP AS CLOSE AS POSSIBLE TO THE DITEK SURGE PROTECTOR
4. TERMINATE A (GREEN) GROUND WIRE FROM THE DITEK SURGE PROTECTOR TO THE GROUND LUG ON THE GROUNDING CLIP. USE A MINIMUM #14 AWG WIRE FOR THIS CONNECTION AND MAKE THE WIRE AS SHORT AS POSSIBLE.
5. IF YOU HAVE ANY QUESTIONS CALL TECHNICAL SUPPORT AT: 1-888-472-6100.



Diversified Technology Group, Inc.

1720 Starkey Road Largo, Florida 33771
 Tel. 727-812-5000 Fax 727-812-5001

TITLE: INSTALLATION INSTRUCTIONS DTK-DRK					
MATERIAL:			APPROVED BY:		
FINISH:					
DRAWN BY: RWM	DATE: 4/12/04	REVISED:	DWG NO. INT-100045-001	PART NO. 191511	REV. 0