

TRANSDUCERS

MANUAL OVERRIDE BOARDS MOB-4, MOB-8



DESCRIPTION

The Kele MOB Series manual override boards are designed to add hand/off/automatic operation to on/off controller outputs. They may also be used as stand-alone override switch banks.

FEATURES

- AC or DC operation
- Ability to convert four or eight outputs to hand/off/auto operation
- Wire-captive screw termination
- LED indication
- Feedback monitoring of switch positions
- Snap-track mounted



MOB-4



MOB-8

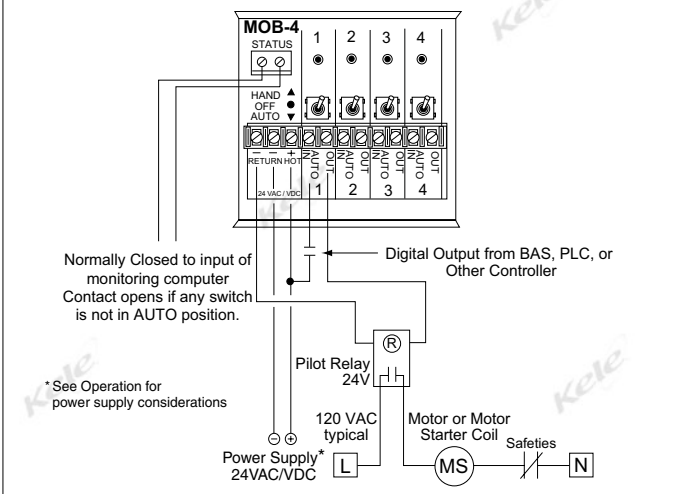
OPERATION

Hand/Off/Auto mode can be selected individually for each channel (1-8 or 1-4) with a three-position toggle switch. Each channel LED will light any time that output is commanded on from the hand or auto mode.

24 VAC or VDC must be applied to the HOT and RETURN terminals for the hand position to operate. The hand voltage source (hot terminal) and each auto IN voltage source can be separate sources as long as they all share a common return connection.

The status contact is closed when all channel switches are in the auto position. Moving any switch to the off or hand position will cause the status contact to open.

WIRING



SPECIFICATIONS

Supply Voltage	24 VAC/VDC	Operating Temperature	-10° to 140°F (-23° to 60°C)
Supply Current		Operating Humidity	10% to 95% RH (non-condensing)
MOB-4	65 mA maximum @ 24 VAC/VDC (half wave)	Dimensions	
MOB-8	130 mA maximum @ 24 VAC/VDC (half wave)	MOB-4	3.3"H x 3.8"W x 1.6"D (8.3 x 9.5 x 4.1 cm)
Input	Voltage input to hand-off-auto toggle switches	MOB-8	3.3"H x 7.5"W x 1.6"D (8.3 x 19.1 x 4.1 cm)
Output	Voltage output based on hand-off-auto toggle switch position	Weight	
Wiring Terminations	Wire-captive screw terminals	MOB-4	0.4 lb (0.2 kg)
Switching Capability	1A @ 24 VAC/VDC	MOB-8	0.8 lb (0.4 kg)
		Approvals	RoHS
		Warranty	1 year

ORDERING INFORMATION

MODEL	DESCRIPTION
MOB-4	Manual override board, 4-channel hand-off-auto control
MOB-8	Manual override board, 8-channel hand-off-auto control