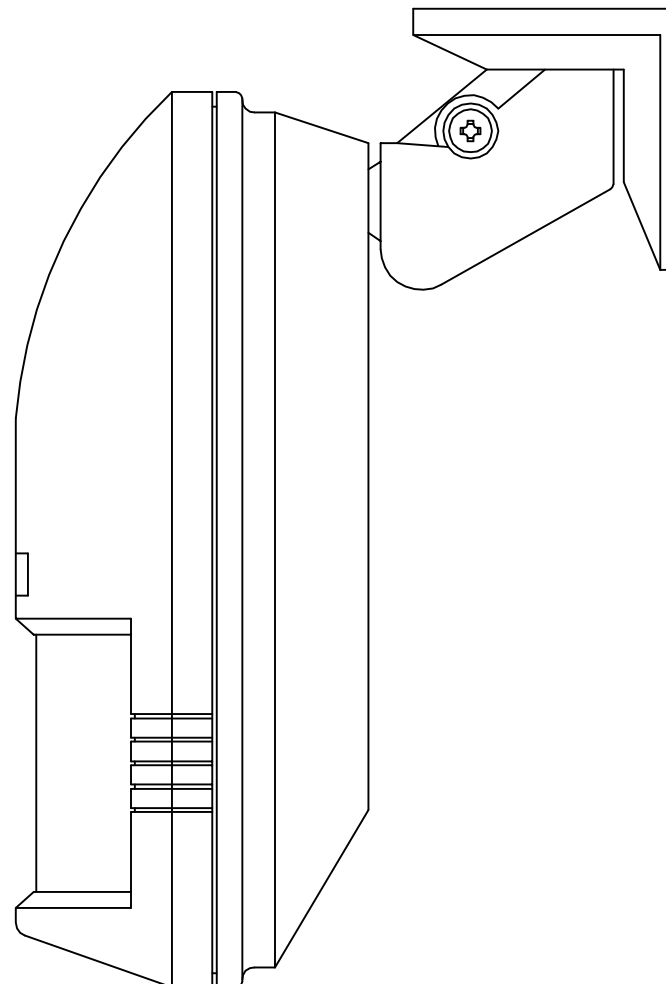
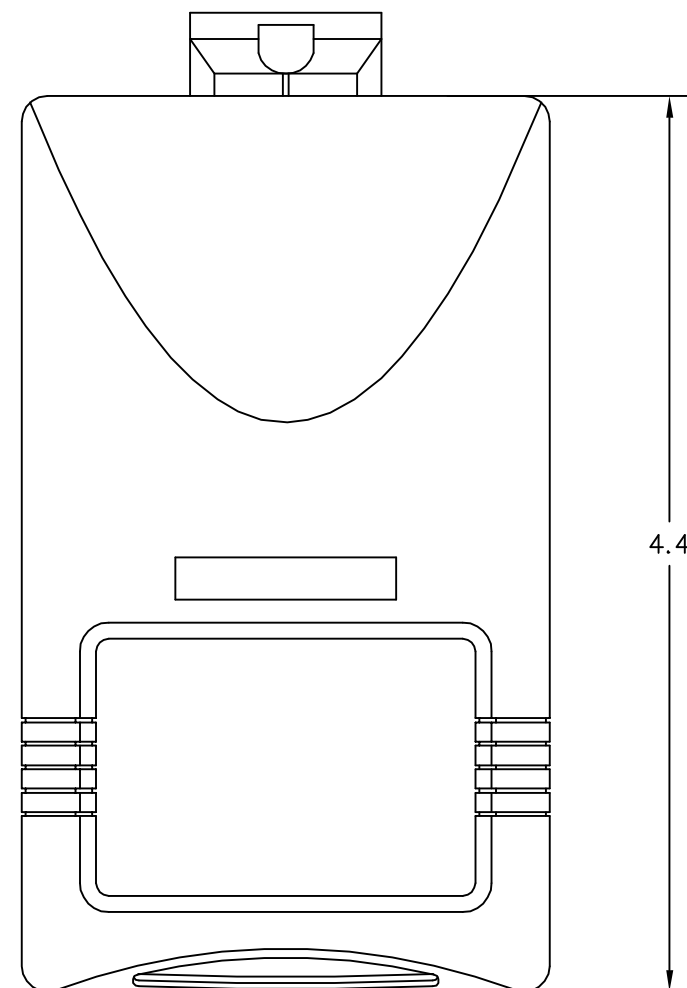
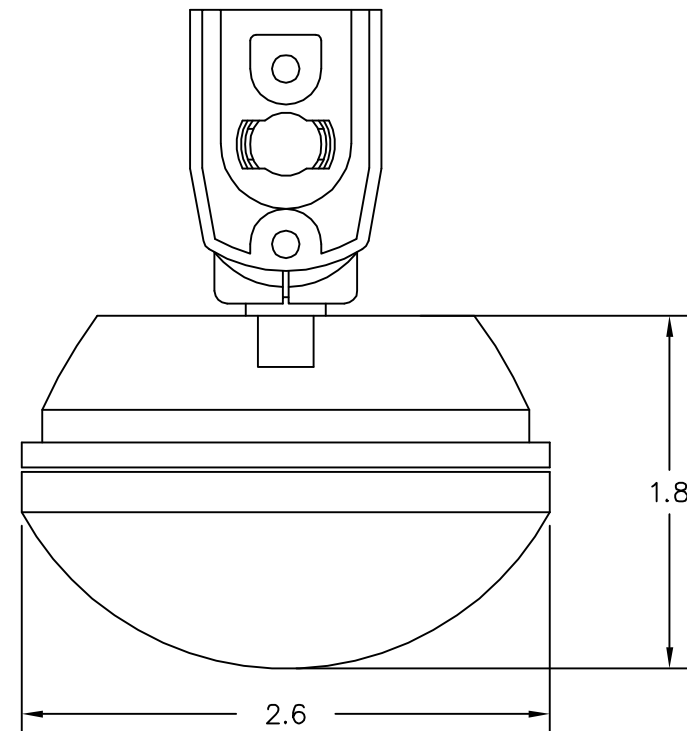


DATE	REV	DESCRIPTION	DR.	CK.
10-01-04	0	ECO 6272 INITIAL RELEASE	JS	SR
03-01-05	1	ECO-6473 ADDED NOTE 6.	LS	



NOTES:

1. FEATURES: THIS IS AN OCCUPANCY SENSOR FOR AUTOMATIC CONTROL OF A GUEST ROOM HVAC SYSTEM. THE SENSOR INCORPORATES AN INNOVATIVE DUAL DELAY PROCESSOR. THIS MAKES THE SENSOR SMART ENOUGH TO VERIFY THE NATURE OF OCCUPANCIES. THE SENSOR IS CAPABLE OF ELIMINATING UNNECESSARY ACTUATIONS OF THE HVAC DEVICE DUE TO UNINTENTIONAL PASSAGES OR SHORT TIME OCCUPANCIES. THIS SENSOR MAY ALSO BE USED AS A SLAVE UNIT IN CONJUNCTION WITH A HEM-1 SYSTEM. THE OUTPUT IS DRY CONTACT IN A FORM-C CONFIGURATION.
2. CONFIGURATION: THE UNIT IS SHOWN WITH THE OPTIONAL SWIVEL BRACKET ATTACHED. THE SWIVEL BRACKET IS INCLUDED, BUT IS NOT ATTACHED FOR SHIPPING.
3. MATERIALS: THE BASE, COVER, AND SWIVEL BRACKET ARE MOLDED OF WHITE ABS PLASTIC.
4. MOUNTING: THE SENSORS ARE MOUNTABLE AGAINST A FLAT WALL OR IN A CORNER USING TWO INCLUDED SCREWS AND AVAILABLE KNOCKOUTS IN THE BASE. THE SENSOR MAY ALSO BE MOUNTED TO EITHER A CEILING OR A WALL USING THE INCLUDED SWIVEL BRACKET.
5. PACKAGING: THE SENSORS ARE INDIVIDUALLY BOXED WITH INSTRUCTION SHEET AND A PLASTIC BAG INCLUDING MOUNTING HARDWARE AND THE SWIVEL BRACKET.
6. ASSEMBLIES TO BE PERMANENTLY MARKED ON BACK OF ENCLOSURE. MARKING TO INCLUDE:
SB200-001
SUNNE CONTROLS
FOUR DIGIT DATE OF MANUFACTURE (YEAR WEEK)
7. DIMENSIONS: THE DRAWING DIMENSIONS SHOWN ARE FOR REFERENCE ONLY.
8. THE SENSOR SHALL CONFORM TO THE SPECIFICATIONS AND RATINGS LISTED BELOW.

SPECIFICATIONS:

POWER SUPPLY	24 ±2V AC/DC
DETECTION RANGE	110°, 15 x 15m AT 25°C
RELAY OUTPUT	FORM C, 30VDC, 0.2A MAX.
CURRENT DRAIN	STANDBY: 5 mA, OPERATING: 18mA
MOUNTING HEIGHT	1.8 ~ 3.6M
DETECTABLE SPEED	0.1 ~ 3 M/SEC. (0.3 ~ 10 FT/SEC.)
RFI IMMUNITY	AV. 20V/M (10 ~ 1,000 MHz)
HUMIDITY	95% RH MAX.
OPERATING TEMPERATURE	-20°C ~ 38°C (-4°F ~ 100°F)
DIMENSIONS	112 x 66 x 45 mm (4.4 x 2.6 x 1.8")
ON DELAY	0 - 10" - 30" - 1' - 5' - 10' SELECTABLE
OFF DELAY	10" - 1' - 5' - 10' - 20' - 30' SELECTABLE

TOLERANCES EXCEPT AS NOTED		SUNNE CONTROLS DIV OF PECO INC. PORTLAND, OR. USA	
DECIMAL .X= .XX= .XXX=	PART NUMBER 68375	SCALE FULL	TITLE SENSOR, OCCUPANCY, SB200-001
ANGULAR ±	ACAD FILE SB200001	DRAWING NUMBER B SB200-001	DIST. CODE PC