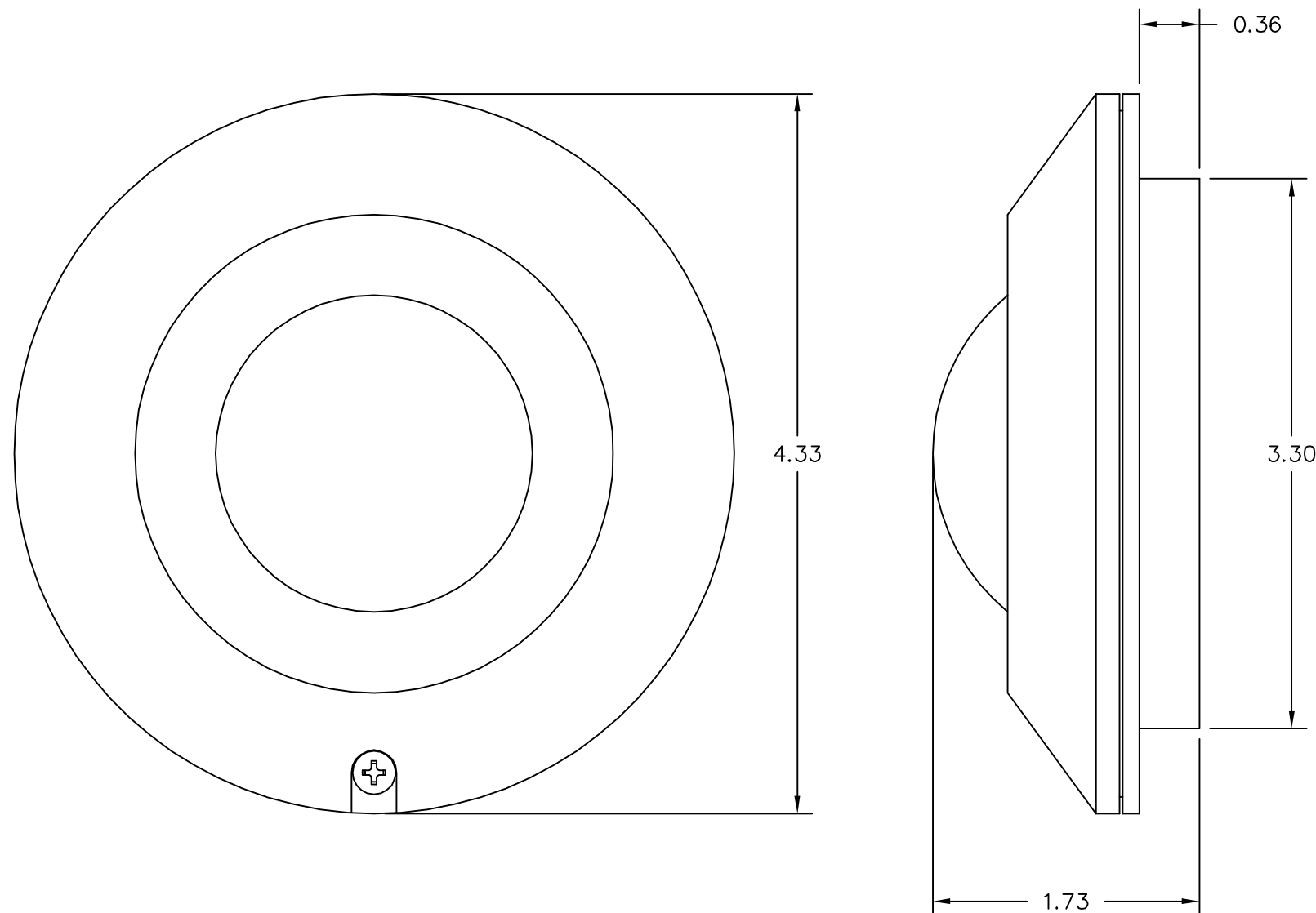


DATE	REV	DESCRIPTION	DR.	CK.
10-01-04	0	ECO 6272 INITIAL RELEASE	JS	SR
03-02-05	1	ECO 6473 ADDED NOTE 6.	LS	



NOTES:

1. FEATURES: THIS IS A CEILING MOUNT 360° OCCUPANCY SENSOR FOR AUTOMATIC CONTROL OF A GUEST ROOM HVAC SYSTEM. THE SENSOR INCORPORATES AN INNOVATIVE DUAL DELAY PROCESSOR. THIS MAKES THE SENSOR SMART ENOUGH TO VERIFY THE NATURE OF OCCUPANCIES. THE SENSOR IS CAPABLE OF ELIMINATING UNNECESSARY ACTUATIONS OF THE HVAC DEVICE DUE TO UNINTENTIONAL PASSAGES OR SHORT TIME OCCUPANCIES. THIS SENSOR MAY ALSO BE USED AS A SLAVE UNIT IN CONJUNCTION WITH A HEM-1 SYSTEM. THE OUTPUT IS DRY CONTACT IN A FORM-C CONFIGURATION.
2. MATERIALS: THE BASE AND COVER ARE MOLDED OF WHITE ABS PLASTIC.
3. MOUNTING: THE SENSOR IS MOUNTABLE DIRECTLY TO A FLAT CEILING. THE SENSOR MAY ALSO BE RECESSED ~3/8" INTO A 3.5" CUTOUT.
4. PACKAGING: THE SENSORS ARE INDIVIDUALLY BOXED WITH AN INSTALLATION INSTRUCTION SHEET.
5. DIMENSIONS: THE DRAWING DIMENSIONS SHOWN ARE FOR REFERENCE ONLY.
6. ASSEMBLIES TO BE PERMANENTLY MARKED ON BACK OF ENCLOSURE. MARKING TO INCLUDE:
SA200-001
SUNNE CONTROLS
FOUR DIGIT DATE OF MANUFACTURE (YEAR WEEK)
7. THE SENSOR SHALL CONFORM TO THE SPECIFICATIONS AND RATINGS LISTED BELOW.

SPECIFICATIONS:

POWER SUPPLY	24 ±2V AC/DC
DETECTION RANGE	HEIGHT X 2.5 AT 25°C
DETECTION PATTERN	360°
RELAY OUTPUT	FORM C, 30VDC, 0.2A MAX.
CURRENT DRAIN	5 mA, @ 24VAC
MOUNTING HEIGHT	2.4 ~ 4.2M (7.9' ~ 13.8')
DETECTABLE SPEED	0.1 ~ 3 M/SEC. (0.3 ~ 10 FT/SEC.)
RFI IMMUNITY	AV. 20V/M (10 ~ 1,000 MHz)
HUMIDITY	95% RH MAX.
OPERATING TEMPERATURE	-20°C ~ 38°C (-4°F ~ 100°F)
DIMENSIONS	110 DIA. x 44 (H) mm (4.33 x 1.73")
ON DELAY	0 - 10" - 30" - 1' - 5' - 10' SELECTABLE
OFF DELAY	10" - 1' - 5' - 10' - 20' - 30' SELECTABLE

TOLERANCES EXCEPT AS NOTED		SUNNE CONTROLS DIV OF PECO INC. PORTLAND, OR. USA	
DECIMAL .X= .XX= .XXX=	PART NUMBER 68374	SCALE FULL	
ANGULAR ±	TITLE SENSOR, OCCUPANCY, SA200-001		
ACAD FILE SA200001	DRAWING NUMBER B SA200-001		DIST. CODE PC