

THERMOSTATS & CONTROLLERS



FAN COIL THERMOSTAT WITH ADA-COMPLIANT DIGITAL DISPLAY

T170



DESCRIPTION

The Peco T170 is specifically designed for 1H, 1C, on/off vent damper and multi speed fan control applications. The large ADA compliant backlit display shows temperature °F or °C with a simple push of a button and indicates fan and system status. The T170 is powered from 24-277 volts with direct-wired manual fan or auto-staging fan models. Remote temperature sensor, pipe change over sensor, setback input and occupancy sensor inputs are all standard.



APPLICATION

Designed specifically for direct line-voltage or low voltage wiring of fan coils used for heating and cooling, with fan and damper controls. Ideal for hotels, dormitories, retirement centers, resorts, condos, cottages, schools, vestibule entrances, and so on.



FEATURES

- 1H/1C and On-Off vent damper
- H/C/A/O system switching
- Fan switch Auto/On/Off
- L/M/H manual fan speed or fan auto staging models
- 24-277 VAC power
- Large backlit ADA compliant display/buttons
- Occupancy motion detector inputs
- Door switch or setback input
- Remote sensor and service alert input
- Change over sensor input
- Keypad lockout
- 2-pipe auto purge cycle
- 2-pipe or 4-pipe operation
- Setback from occupancy or clock
- Temperature or continuous set point display
- Temperature offset display
- Setpoint limits, H and C
- Fan off delay
- H/C setback selection
- Easy occupant switched °F or °C display

SPECIFICATIONS					
Supply Voltage	24-277 VAC, ±10%, 50/60 Hz				
Supply Current	45 mA				
Sensor Type	Built-in 10K thermistor Type II				
Remote Sensor	10K thermistor Type II, acc. required				
Output Control	6-SPST relays H/C/Damper, Fan-L/M/H				
Output Amps					
	Voltage	RES	LRA	FLA	HP
	120 VAC	6.0	34.8	5.8	1/4
	240 VAC	5.0	17.4	2.9	1/4
	277 VAC	4.2	14.4	2.4	1/4
	Note: Combined load not to exceed 20A				
Control	Proportional plus Integral (PI)				
Dead-band	3°F (1.6°C)				
Setpoint	50° to 90°F (10° to 32°C), adjustable				
Setback (H/C)	55° to 90°F (13° to 32°C), adjustable 8°F (4.4°C) minimum separation				
Keypad Lockout	All buttons disabled except setpoint				
Display	1" x 1.5" backlit digital display room temp., setpoint, system and fan status				
Display Offset	±9°F (5°C), in 1°F (0.5°C) increments				
Button Controls					
Up, Down	Temperature select				
System	Heat/Cool/Auto/Off				
Fan Control	On/Off/Auto				
Fan Speed	Hi/Medium/Low, hold for °F/°C				
Adjustments	Service menu set up, 9 parameters				
Enclosure	Vinyl plastic for indoor use only				
Switch Cycles	100,000 cycles				
Termination	6" flying leads 18-14 AWG				
Color	White				
Mounting	Horizontal on wall. Screw direct or 4" x 4" back box				
Operating Temperature	130°F (54°C) Maximum				
Operating Humidity	98% RH non-condensing				
Dimensions	4.4"H x 5.8"W x 1.4"D (11.2 x 14.7 x 3.5 cm)				
Weight	0.7 lb (0.32 Kg)				
Approvals	UL, ULC, File# E50023 and ADA compliant				
Warranty	5 years				

THERMOSTATS & CONTROLLERS

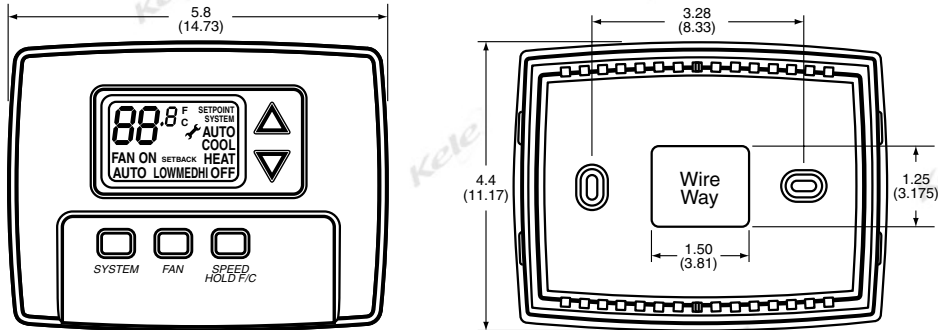
21

THERMOSTATS & CONTROLLERS

FAN COIL THERMOSTAT WITH ADA-COMPLIANT DIGITAL DISPLAY

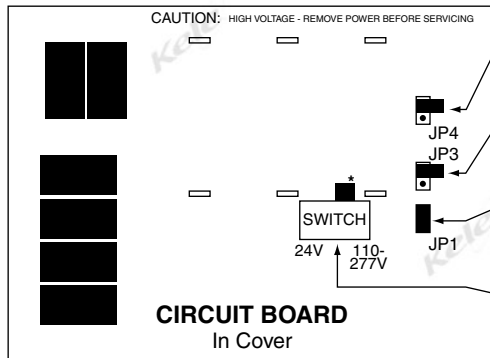
T170

DIMENSIONS / MOUNTING



Note: The cover snaps into place firmly, making occupant tampering difficult. Be sure to install jumpers, select voltage, and wire properly before snapping cover into place.

INSTALLATION / JUMPERS



JP4 JUMPER SELECTION
This jumper selects between 2-pipe (jumper ON) and 4-pipe (jumper OFF) operation. (Shipped OFF)

JP3 JUMPER SELECTION
This jumper is shipped normally open. Placement of a jumper allows for Occupancy Detection and Door Switch Only Operation. (Shipped OFF)

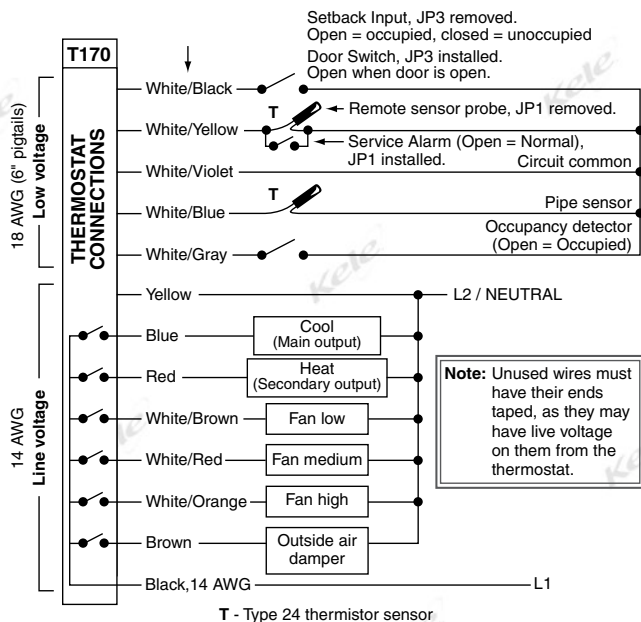
JP1 JUMPER SELECTION
Removal of this jumper allows the sensor to be located in a remote location, or N.C. service alarm. (Shipped ON)

VOLTAGE SELECTION SWITCH*
This switch must be placed in the appropriate position prior to application of power. (Shipped at 110-277V)

2/4 PIPE SELECTION	WATER TEMP	OUTPUT OPERATION	
		MAIN OUTPUT	SECONDARY OUTPUT
2-PIPE JP4 ON	Cold	Cooling Only - DA The fan will not cycle on with a heat demand.	Disabled
	Hot	Heating Only - RA The fan will not cycle on with a cool demand.	Disabled
4-PIPE JP4 OFF	Cold	Cooling - DA	Heating - RA
	Hot	Heating Only - RA The fan will not cycle on with a cool demand.	Disabled

*Switch selection is as follows:
24V = 24 VAC; 110-277 V = 120, 240, or 277 VAC

WIRING



ORDERING INFORMATION

MODEL	DESCRIPTION
TA170-001	24-277V, H/C/Dpr thermostat with system, fan, and three-speed manual fan switch
TB170-001	24-277V, H/C/Dpr thermostat with system, and fan switch off/auto with three-speed auto staging fan on demand every 2° (2° differential)

RELATED PRODUCTS

680-243-6	Changeover thermostat with conduit fitting
AQS00661	24 VAC/VDC water sensor/switch
SA200-001	Ceiling 360-degree occupancy motion sensor, 24 VAC/VDC, form C contacts
SB200-001	Wall occupancy/motion sensor, 110-degree view, 24 VAC/VDC, form C contacts
SE200-001	Plunger style door switch
SE200-002	Magnetic door/window switch, N.C.-SPST
ST-R24S	Changeover temperature sensor
ST-S24E	Remote room temperature sensor