



FLEXIBLE PLENUM AND ARMORED AVERAGING THERMISTOR AND RTD SENSORS TE707C SERIES

MAMAC



DESCRIPTION

The Mamac Systems Model TE707C Flexible Plenum and Armored Averaging Temperature Sensors provides accurate temperature sensing for ducts when large areas must be covered in building automation systems and mechanical equipment room instrumentation. The flexible sensors are easy to install and are moisture sealed. The sensors can come in lengths of 6', 12' or 24'.

FEATURES

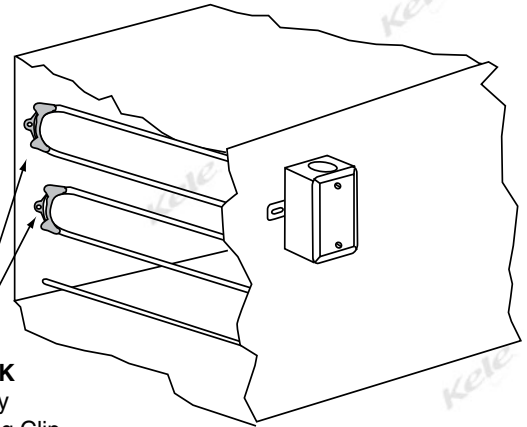
- Plenum rated or Metallic Armored cable
- Weather proof box
- Variety of thermistors and RTDs
- 6' (1.8m), 12' (3.6m) and 24' (7.2m) lengths



TE707C

SPECIFICATIONS	
Accuracy	
Thermistor	±0.36°F (0.2°C)
RTD	
Platinum	±0.1%
Nickel/Balco	±0.5°F (0.3°C)
Sensor Type	
Thermistor	2252Ω, 3000Ω, 10,000Ω Type II & III, 20,000Ω, 100,000Ω 100Ω Platinum 385 curve, 1,000Ω Platinum 385 curve
RTD	100 Platinum 385 curve, 1,000 Platinum 385 curve, 1,000 Nickel, 1,000 Balco
Element Casing	Plenum rated cable or Metallic Armored cable
Sensor Length/Weight	
Plenum	6 ft (1.8 m); 1.0 lb (0.45 Kg) 12 ft (3.6 m); 1.05 lb (0.48 Kg) 24 ft (7.2 m); 1.15 lb (0.51 Kg)
Armored	6 ft (1.8 m); 1.23 lb (0.56 Kg) 12 ft (3.6 m); 1.45 lb (0.66 Kg) 24 ft (7.2 m); 1.91 lb (0.86 Kg)
Operating Temperature	-40° to 200°F (-40° to 93°C)
Enclosure Rating	NEMA 4X, Metal
Wiring Terminations	5" (15.2 cm) of 22 AWG pigtails
Approvals	CE, RoHs
Warranty	5 years

DIMENSIONS



CC-1G-K
Capillary
Mounting Clip

ORDERING INFORMATION

MODEL	DESCRIPTION
TE707C	Flexible averaging sensor with NEMA 4X enclosure
OPTIONS	
1	1000Ω RTD @ 32°F (0°C); 385 Platinum curve (yellow leads)
3	1,000Ω RTD @ 32°F (0°C); 385 Platinum curve (red leads)
4	1,000Ω RTD @ 32°F (0°C); Nickel (violet leads)
5	1,000Ω RTD @ 32°F (0°C); Balco (brown leads)
7	10,000Ω Thermistor @ 77°F (25°C); Type III (green leads)
10	3,000Ω Thermistor @ 77°F (25°C); (black leads)
12	10,000Ω Thermistor @ 77°F (25°C); Type II (green & red leads)
15	100,000Ω Thermistor @ 77°F (25°C); (orange & black leads)
17	20,000Ω Thermistor @ 77°F (25°C); (green & blue leads)
18	2,252Ω Thermistor @ 77°F (25°C); (red & yellow leads)
A	6 foot (1.8 m)
B	12 foot (3.6 m)
C	24 foot (7.2 m)
1	Plenum rated cable
2	Armored cable

Example: TE707C-12-A-1 10,000Ω Thermistor @ 77°F (25°C); Type III (green leads), 6 foot (1.8 m), plenum rated cable.

RELATED PRODUCTS

- T85U-XR 1000 ohm, Type 85 4-20 mA temperature transmitter, custom rangeable
- T81U-XR 100 ohm, Type 81 4-20 mA temperature transmitter, custom rangeable
- CC-1G-K Plastic capillary and sensor holder mounting clip
- M-648-K Copper-clad capillary mounting clip