



TEMPERATURE

FLEXIBLE AVERAGING THERMISTOR AND RTD SENSORS TE200FDC SERIES



DESCRIPTION

The Greystone Energy Systems TE200FDC Series Flexible Averaging Thermistor and RTD Sensor provides accurate temperature sensing for ducts when large areas must be covered in building automation systems and mechanical equipment room instrumentation. The flexible sensors are easy to install and are moisture sealed. The sensors can come in lengths of 6', 12', 20' or 24'.

FEATURES

- Plenum rated cable
- Weather proof box
- Variety of thermistors and RTDs
- 6' (1.8m), 12' (3.6m), 20' (6.1m) and 24' (7.2m) lengths



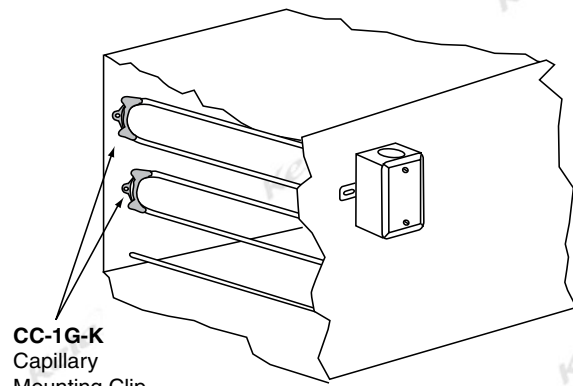
TE200FDC



SPECIFICATIONS

Accuracy	
Thermistor	±0.36°F (0.2°C)
RTD	
Platinum	±0.54°F (0.3°C)
Nickel	±0.72°F (0.4°C)
Sensor Type	
Thermistor	2252Ω, 3000Ω, 10,000Ω Type II & III, 20,000Ω 100Ω Platinum 385 curve, 1,000Ω Platinum 385 curve, 1,000Ω Nickel
Sensor Length/ Weight	
	6 ft (1.8 m); 0.5 lb (0.22 Kg) 12 ft (3.6 m); 0.61 lb (0.27 Kg) 20 ft (6.1 m); 0.71 lb (0.32 Kg) 24 ft (7.2 m); 0.81 lb (0.36 Kg)
Operating Temperature	-4° to 140°F (-20° to 60°C)
Enclosure Rating	NEMA 4, Metal
Approvals	CE, RoHs
Warranty	1 year

DIMENSIONS



CC-1G-K
Capillary
Mounting Clip

ORDERING INFORMATION

MODEL	DESCRIPTION
TE200FDC	Flexible averaging sensor with NEMA 4 enclosure
OPTIONS	
2	100Ω RTD @ 32°F (0°C); 385 Platinum curve (red, red, white leads)
12	1,000Ω RTD @ 32°F (0°C); 385 Platinum curve (gray leads)
13	1,000Ω RTD @ 32°F (0°C); Nickel (gray leads)
7	10,000Ω Thermistor @ 77°F (25°C); Type III (light gray leads)
6	3,000Ω Thermistor @ 77°F (25°C); (light blue leads)
24	10,000Ω Thermistor @ 77°F (25°C); Type II (yellow leads)
20	20,000Ω Thermistor @ 77°F (25°C); (green leads)
8	2,252Ω Thermistor @ 77°F (25°C); (gray leads)
A	6 foot (1.8 m)
B	12 foot (3.6 m)
C	20 foot (6.1 m)
D	24 foot (7.2 m)

Example: TE200FDC-12-A 1,000Ω RTD @ 32°F (0°C); 385 platinum curve (gray leads), 6 foot (1.8 m).

T85U-XR
T81U-XR
CC-1G-K
M-648-K

RELATED PRODUCTS

1000 ohm, Type 85 4-20 mA temperature transmitter, custom rangeable
100 ohm, Type 81 4-20 mA temperature transmitter, custom rangeable
Plastic capillary and sensor holder mounting clip
Copper-clad capillary mounting clip