



KELE ROOM TEMPERATURE SENSOR, THERMISTOR AND RTD

MODEL KTR

DESCRIPTION

The **Model KTR** Room Temperature Sensor is a cost-effective room temperature sensor with an accuracy of $\pm 0.5^{\circ}\text{F}$ (0.28°C). The thermistor is made of a very stable, pre-aged material that offers the reliability needed in control systems. The platinum RTD comes in 100Ω and 1000Ω and is compatible with most HVAC systems. All sensors come with a three-year warranty.

FEATURES

- **Economical**
- **Attractive new design**
- **Three-year warranty**
- **$\pm 0.5^{\circ}\text{F}$ (0.28°C) accuracy**
- **Durable housing**
- **White color**
- **Thermistor or RTD**
- **Locking cover screws**

OPTIONS

- **Set point slide adjust**
- **Momentary override switch**
- **RJ11 communication jack**
- **NIST certificate**
- **24V LED lamp**
- **OEM models available**
- **Custom logos**

APPLICATION

The Model KTR is designed to be wall mounted indoors where appearance and accuracy are important. The sensor may be mounted directly to the drywall or on standard electrical boxes. It comes in all the most common thermistors or RTDs. Options may be mixed and matched for each application.

NEW!

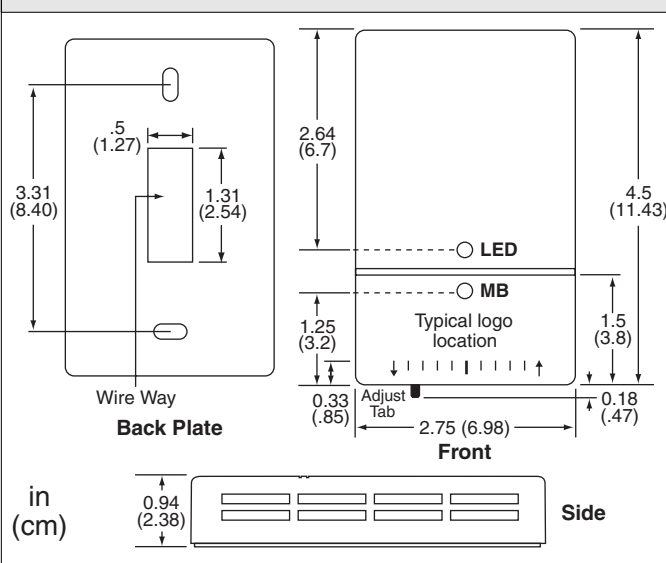


KTR



KTR-A10K-J1-LED-MD

DIMENSIONS



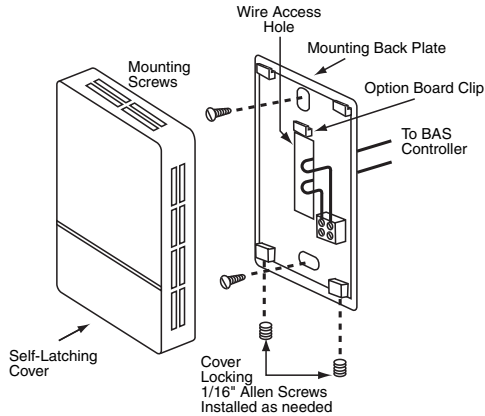
SPECIFICATIONS

Sensing elements	Thermistor (thermal resistor) RTD (platinum)	Mounting	Directly to wall or customer-supplied back box, no adapters needed for standard outlet boxes
Accuracy	$\pm 0.5^{\circ}\text{F}$ (0.28°C)	Color	White plastic
Sensor types		Options	
Thermistor @ 77°F	2.252K, 3K, 10K, 20K, 100K Ω	Override button	N.O. form A contact in parallel with pot or sensor with jumper
RTD @ 32°F	Platinum 100 Ω , 1000 Ω 385 curve Platinum 1000 Ω 375 curve	Set point adjust	400, 10K, 20K, or 100K Ω slide pot
Temp range	35° to 140°F (2° to 60°C)	Comm. jack	RJ11, four-conductor connection
Temp response	NTC - Thermistors, PTC - RTDs	NIST	1 or 2 point accuracy certificate
Sensitivity	See "Sensor Resistance Charts" in the "Technical Reference" section	Lamp indicator	24V (AC/DC) LED (externally powered)
Stability		Custom logo	Custom printing; 1, 2, or 3 color
Thermistor	0.24°F (0.13°C) over five years	Locking cover	1/16" Allen key head
RTD	100% (no drift platinum)	Weight	0.2 lb (0.09 kg)
Connection	Terminals		

MOUNTING AND SENSOR ONLY WIRING

Toggle bolts or other direct wall-mount screws can be used where back box is not required. Adapters are not required when mounting directly to electrical outlet boxes.

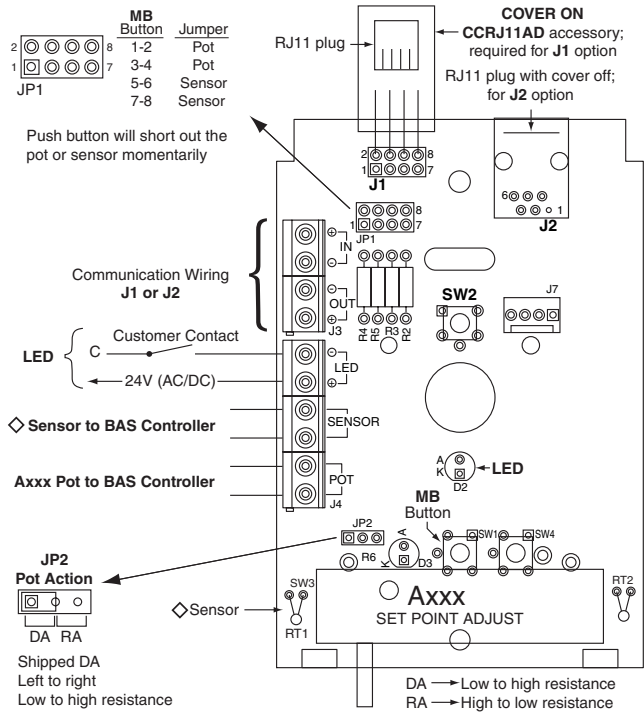
Basic model comes with screw terminal block, white decorator face-plate, two #6-32 screws for handibox-mounting, and two #6 x 1" screws for direct wall-mounting. Locking cover screws are #6-32 with a 1/16" Allen key head, installed as needed.



The sensor should be mounted approximately 5' (1.5m) above the floor, on an interior wall, out of the sun, and away from any heating or cooling generating devices.

Note: Adjust option requires option board removal to mount back plate.

WIRING TYPICAL COVER OPTIONS



ORDERING INFORMATION

MODEL	DESCRIPTION
KTR	Kele Room Sensor Housing
SENSOR SELECTION	
3	10k ohm Thermistor @ 77°F (25°C), Type III
21	2252 ohm Thermistor @ 77°F (25°C), Type II
22	3k ohm Thermistor @ 77°F (25°C), Type II
24	10k ohm Thermistor @ 77°F (25°C), Type II
27	100k ohm Thermistor @ 77°F (25°C), Type II
42	20k ohm Thermistor @ 77°F (25°C), Type II
81	100 ohm RTD, 385 platinum curve
85	1000 ohm RTD, 385 platinum curve
91	1000 ohm RTD, 375 platinum curve
ROOM SENSOR OPTIONS (Options to be listed alphabetically with dashes)	
A400	Setpoint adjust with 400 ohm span (R5 for offset), Patone 431C
A10K	Setpoint adjust with 10k ohm span (R5 for offset), Patone 431C
A20K	Setpoint adjust with 20k ohm span (R5 for offset), Patone 431C
A100K	Setpoint adjust with 100k ohm span (R5 for offset), Patone 431C
CL1	Custom logo option one color, (CL2 = two color, CL3 = three color)
J1	RJ11 externally accessible communication jack (CCRJ11AD)
J2	RJ11 internal communication jack
LED	LED lamp indicator, standard 24V (AC/DC) voltage
MB	Momentary push button switch, jumpered across sensor or pot (JP1)
N1	NIST certificate, 1 reference point 32°F (0°C)
N2	NIST certificate, 2 reference point 32°/158°F (0°/70°C)

Sample Order

- KTR3** Kele Room Sensor with 10K Type III Thermistor
- KTR85-A400-MB** Kele Room Sensor with 1K ohm 385 RTD with 400 ohm adjust pot and momentary switch
- KTR24-N1-LED** Kele Room Sensor with 10K Type II Thermistor with NIST and LED lamp

Accessories

- CCRJ11AD** J1 option adaptor
- KT-1** Cover mounting screwdriver 1/16" Allen/standard/philips

Logo Color Chart

- | | | | |
|--|--------------|--|--------------|
| | Pantone 485 | | Pantone 356 |
| | Pantone 492C | | Pantone 124C |
| | Pantone 300 | | Pantone 431C |
| | Pantone 299 | | Pantone 6C |

Other Pantone colors available on request.