



RELAYS & CONTACTORS

6MM INTERFACE RELAYS RV8H SERIES

DESCRIPTION

The IDEC RV8H Series 6mm interface relays provide a compact solution for general purpose relay requirements. The RV8H series Interface relays are ideal for HVAC and energy management controllers, PLC and electronic systems, industrial automation, panel builders, assembly machine applications and other applications that require a high switching capability in a compact space. Installation time is greatly reduced with pre-assembled relays and sockets.

FEATURES

- Class I, Division 2 and Class I, Zone 2 hazardous locations
- Gold plated contacts
- Pre-assembled relay and DIN mount socket
- Lever for easy locking and removal of relay



RV8H-S-AD24



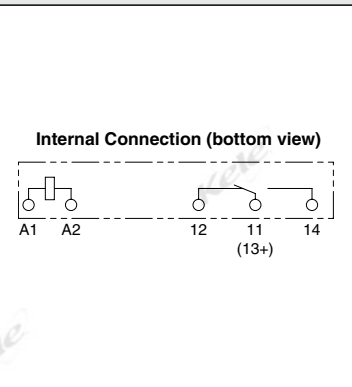
RV8H-L-AD24



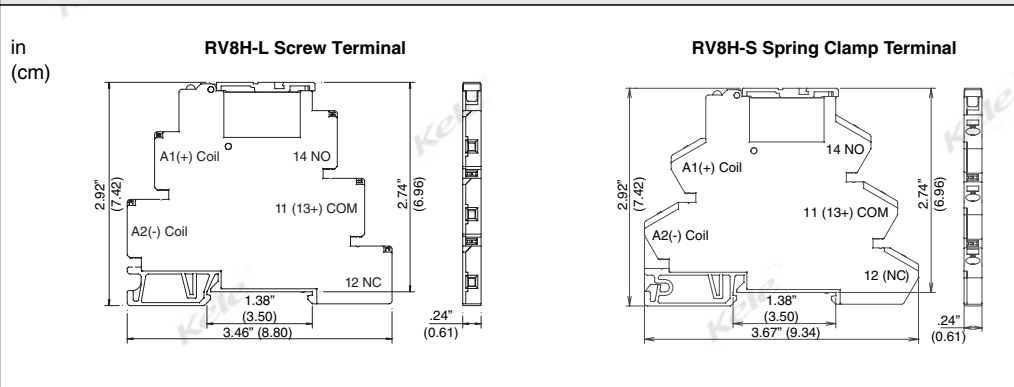
SPECIFICATIONS

Number of Poles	1 pole	Minimum Applicable Load	6 VDC / 10mA
Contact Configuration	Form C, SPDT	Mechanical Life	Over 10,000,000 operations
Max. Allowable Contact Power	1500 VAC, 180W DC Resistive	Operating Temperature	-40 to 158°F (-40 to 70°C)
Rated Load	250 VAC 6A, 30 VDC 6A Resistive	Operating Humidity	5 to 85% non-condensing
Contact Rating	6A	Weight	
Contact Material	AgNi (Au Plating)	RV8H-L	0.07 lbs (0.03 Kg)
Allowable Switching Voltage	400 VAC, 125 VDC	RV8H-S	0.06 lbs (0.02 Kg)
Allowable Switching Power	1500 VAC, 180W DC	Approvals	UL File #E55996, RoHs, CE
		Warranty	1 year

WIRING



DIMENSIONS



ORDERING INFORMATION

SCREW TERMINALS	SPRING CLAMP TERMINALS	COIL VOLTAGE	RATED CURRENT ±15% (mA)	CIRCUIT RESISTANCE ±10%(Ω)		POWER CONSUMPTION (W)	OPERATING CHARACTERISTICS		
				AC	DC		PICKUP VOLTAGE	DROPOUT VOLTAGE	MAXIMUM VOLTAGE
RV8H-L-D6	RV8H-S-D6	6V	35	-	170	0.21	90% MAX	7% MAX	110%
RV8H-L-D9	RV8H-S-D9	9V	18.6	-	485	0.2			
RV8H-L-D12	RV8H-S-D12	12V	14.6	-	820	0.2			
RV8H-L-D18	RV8H-S-D18	18V	11.6	-	1550	0.2			
RV8H-L-D24	RV8H-S-D24	24V	10.6	-	2270	0.25			
RV8H-L-AD12	RV8H-S-AD12	12V	15.5	755	800	0.2			
RV8H-L-AD18	RV8H-S-AD18	18V	13.3	1365	1345	0.25			
RV8H-L-AD24	RV8H-S-AD24	24V	13.7	1730	1790	0.33			
RV8H-L-AD48	RV8H-S-AD48	48V	4	11880	12230	0.2			
RV8H-L-AD60	RV8H-S-AD60	60V	3.4	17600	17910	0.2			
RV8H-L-AD110	RV8H-S-AD110	110V - 125V	3.4 - 3.9	31790 - 31890	32450 - 32900	0.5			
RV8H-L-AD220	RV8H-S-AD220	220V - 240V	3.3 - 3.6	65670 - 66070	65940 - 68570	0.85			

Note: To order Class 1 Division 2 RV8H Relays, add -C1D2 at the end of the part number.