



# PRESSURE

## DIFFERENTIAL PRESSURE SWITCHES

### RFS-4001

#### DESCRIPTION

The **Cleveland Controls Models RFS-4001-025 and RFS-4001-031 Differential Pressure Switches** are general-purpose, airflow-proving switches designed for HVAC and building automation applications. They may be used to sense positive, negative, or differential air pressure.

The plated housing contains a diaphragm, calibration spring and snap-acting switch. The **Model RFS-4001-025** pressure connections located on each side of the diaphragm, accept copper or flexible 1/4" OD tubing. The **Model RFS-4001-031** has tri-barb connectors that accept 1/8", 1/4", and 5/16" ID flexible tubing. An enclosure cover guards against accidental contact with the live-switch terminal screws and the setpoint-adjusting screw. The enclosure will accept a 1/2" conduit connection.

#### FEATURES

- Two-year warranty
- Adjustable setpoint
- Knockout for 1/2" conduit
- Enclosed terminals
- Compression or barb fittings

#### SPECIFICATIONS

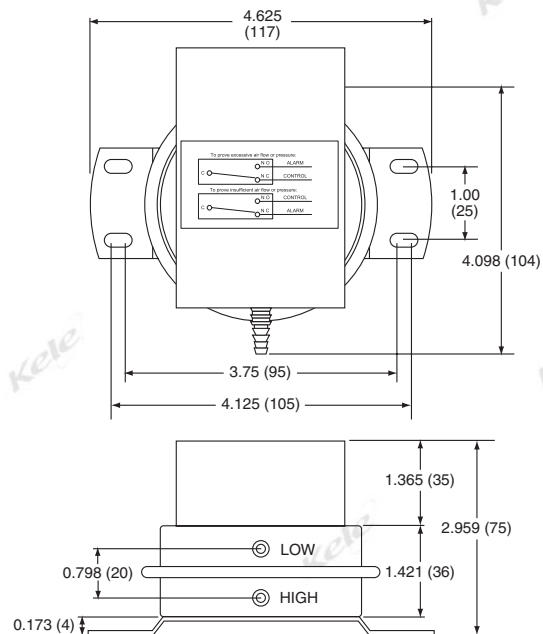
<b>Contact Rating</b>	300 VA pilot duty @ 115-277 VAC, 15A non-inductive to 277 VAC
<b>Contact Type</b>	SPDT
<b>Setpoint Range</b>	0.15" to 5.0" W.C. (37.3 to 1245 Pa)
<b>Differential</b>	Progressive, increasing from 0.05" W.C. at minimum setpoint to 0.3" W.C. at maximum setpoint
<b>Overpressure</b>	0.5 psig (3.5 kPa)
<b>Life Expectancy</b>	100,000 cycles minimum
<b>Operating Temperature</b>	-40° to 180°F (-40° to 82°C)
<b>Mounting</b>	Any vertical plane, avoid upward pressure connections
<b>Process Connection</b>	
<b>RFS-4001-025</b>	1/4" compression, suitable for use with 1/4" copper or plastic tubing
<b>RFS-4001-031</b>	Tri-barb connectors for 1/8", 1/4" and 5/16" ID tubing
<b>Wiring Terminations</b>	Screw terminals with cup washers
<b>Approvals</b>	UL File #MH6213, CSA
<b>Weight</b>	0.9 lb (0.4 kg)
<b>Warranty</b>	2 years



RFS-4001-031



#### DIMENSIONS



#### ORDERING INFORMATION

MODEL	DESCRIPTION
<b>RFS-4001-025</b>	Differential pressure switch 0.15" to 5.0" W.C., 1/4" compression fittings
<b>RFS-4001-025-C</b>	Differential pressure switch 0.15" to 5.0" W.C., 1/4" compression fittings, custom calibrated
<b>RFS-4001-031</b>	Differential pressure switch 0.15" to 5.0" W.C., tri-barb fittings
<b>RFS-4001-031-C</b>	Differential pressure switch 0.15" to 5.0" W.C., tri-barb fittings, custom calibrated
<b>RFS-4001-092</b>	Differential pressure switch

	RELATED PRODUCTS	PAGE
<b>A-301-K</b>	Duct static pressure tip, 1/4" compression	<b>1113</b>
<b>A-302-K</b>	Duct static pressure tip, 1/4" barb	<b>1113</b>
<b>A-308-K</b>	Duct static pressure fitting, 1/4" barb	<b>1113</b>
<b>A-345-K</b>	Flange mounting kit (1 required for each A-301-K or A-302-K)	<b>1113</b>
<b>T-101</b>	1/4" OD black poly tubing, 1 coil, 250 ft (76 m)	<b>901</b>