



PRESSURE

DIFFERENTIAL PRESSURE GAUGE K2000 SERIES

DESCRIPTION

The **K2000 Series Differential Pressure Gauges** can be used in applications for measuring positive, negative, or differential pressure with an accuracy of 2%. The gauge includes a 4" (10.2 cm) easy-to-read dial, housed in a rugged die cast aluminum housing. The **K2000 Series** has both back and side connections so that it may be either surface- or flush-mounted. Ranges are available from 0" to 0.25" W.C. up to 10" W.C.

FEATURES

- 2% full-scale accuracy
- Easy-to-read 4" (10.16 cm) white dial and red-tipped pointer
- Flush or surface mounting
- Easily accessible zero adjustment
- Corrosion-resistant cast aluminum housing
- Back and side connections

APPLICATION

The **K2000 Series** is ideal for monitoring filter status, duct static pressure, room pressure, fan or blower pressure, paint booths, dust collectors, and cabinet purging.

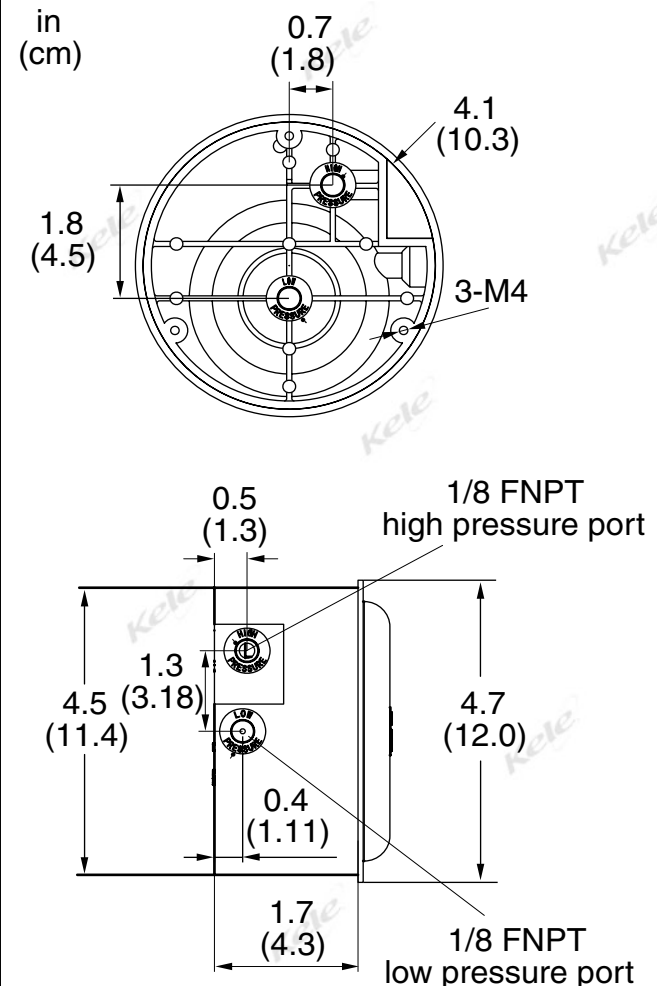


K2000

SPECIFICATIONS

Accuracy	±2% of Full scale @ 70°F (-0) ±3% of Full scale (-00) ±4% of Full scale
Readout (Analog, Digital etc.)	Red tip needle w/ white back ground
Dial (White, Mirrored, LCD, LED, Stop Pins Etc.)	4" half dial w/ graduations per order
Window Material, (Glass, Polycarbonate etc.)	Clear acrylic plastic
Indication Scale	Selectable by order (WC or Pa)
Calibration (adjustable, Fixed, Etc.)	Manual zero adjust by center screw
Sensor principle (Balanced, Bourdon tube, Capacitive)	Silicone diaphragm
Operating Pressure Ranges	-20" Hg to 15 psig (103 kPa)
Overpressure (Burst)	-20 in Hg to 15 psig (-67.75 to 103.45 kPa)
Max Operating Pressure (Proof)	-20 in Hg to 15 psig (-67.75 to 103.45 kPa)
Operating Temperature	20° to 140°F (-7° to 60°C)
Operating Humidity	0 to 95% Non-condensing
Wetted Parts	Silicone, aluminum, acrylic, polycarbonate and steel
Media Compatibility	Inert Dry Air
Process Connection	Two 1/8" FNPT (H/L), (Back & Side ports)
Connection Accessories	Two 1/8" FNPT barbed fittings & plugs (included)
Mounting	Vertically, Four flush mounting tabs (included)
Enclosure Case Rating	Aluminum housing w/Clear Acrylic face
Enclosure Rating	NEMA 1
Dimensions	4.7 diameter (4.5" hole) x 1.7"D (11.9 (11.43) x 4.32cm)
Weight	1.1lb (0.51 Kg)
Warranty	2 Years

DIMENSIONS





INSTALLATION

Mounting the K2000 Series Differential Pressure Gauge: Mount the K2000 with the dial face in the vertical plane. Avoid areas of excessive vibration, pulsating pressures, or extreme temperature swings. Long runs of pneumatic tubing will not affect performance but it may affect response times. Once the K2000 is mounted, the pointing needle of the K2000 may need to be adjusted to the zero position. If adjustment is required, slightly turn the external pointer adjustment screw in either direction as required.

Using the K2000 to measure differential pressure: The high pressure ports will always be connected to the higher of the two pressures that are being monitored. Conversely the lower pressure ports will always be connected to the lower of the two pressures being measures.

Monitoring variable positive pressures: This application will measure the positive pressure as it varies with respect to the atmosphere. Port the highest pressure source to a high port connection of the K2000 and leave the low pressure ports open to the atmosphere. Make sure any unused high pressure port is plugged.

Monitoring variable negative pressures: This application will measure the negative positive pressure as it varies with respect to the atmosphere. Port the low pressure source to a low port connection of the K2000 and leave the high pressure ports open to the atmosphere. Make sure any unused low pressure port is plugged.

ORDERING INFORMATION

MODEL	RANGE "W.C.	MINOR DIV.	MODEL	RANGE DUAL SCALE "W.C./Pa	MINOR DIV.
K2000-00*	0-0.25	0.005	K2000-00D*	0-0.25/0-60	0.005
K2000-0*	0-0.5	0.01	K2000-0D*	0-0.5/0-125	0.01
K2001	0-1.0	0.02	K2001D	0-1.0/0-250	0.02
K2002	0-2.0	0.05	K2002D	0-2.0/0-500	0.05
K2003	0-3.0	0.10	K2003D	0-3.0/0-750	0.10
K2004	0-4.0	0.10	K2004D	0-4.0/0-1000	0.10
K2005	0-5.0	0.10	K2006D	0-5.0/0-1.5k	0.10
K2006	0-6.0	0.20	K2008D	0-6.0/0-2.0k	0.20
K2008	0-8.0	0.20	K2010D	0-8.0/0-2.5k	0.20
K2010	0-10	0.20	K2020D	0-10/0-5.0k	0.20

* These ranges are calibrated for vertical scale position

Order by model number from selection chart above. Contact Kele for pressure ranges, metric ranges, and air velocity scales other than those shown.

A-301-K
A-302-K
A-345-K
A-368-K
A-605

RELATED PRODUCTS

Duct static pressure tip, 1/4" compression
Duct static pressure tip, 1/4" barb
Flange mounting kit (1 required for each A-301-K or A-302-K)
Surface mounting plate
Mounting kit for air filter application. Includes aluminum surface mounting brackets with screws, two 5 ft. lengths of 1/4" aluminum tubing, two static pressure tips and two plastic vent valves.
1/4" OD black poly tubing, 1 coil, 250 ft (76 m)

T-101