

# Sure-Set

## Split Core Current Switch



### DESCRIPTION

The Sure-Set Model SSC Split Core Current Switch provides a unique approach to calibration and installing current sensors that eliminates exposure to arc flash hazards while providing a low cost, fast and accurate method of setting the proper current set point for the application. By eliminating the need to work on a live electrical enclosure, the Sure-Set Current Switch allows installation without the need for arc flash personal protective equipment (PPE) reducing install time. Using the 9 position Sure-Set Selector and the scale rated in motor HP, the installer simply sets the selector to the rated motor hp prior to opening the electrical enclosure. The installer powers down the electrical enclosure, snaps the Sure-Set onto the sensed conductor, connects the signal leads, closes the enclosure and powers up the system. No further calibration is required. The engineer or installer can set all the Sure Set current switches used in a system prior to arriving at the job site, making the on-site install time for the current switches even shorter.

Offered in standard and high hp ranges with 9 hp settings per range, the Sure Set has the derating from Full Load Amps (FLA) already designed into the product. Simply set the Sure-Set 9 position selector switch to the rated motor hp and install. The Sure-Set, like other members of Setra's Current Switch family, are completely self-powered from the sensed conductor. 600V AC isolation is standard and the Sure-Set is agency listed with UL/cUL and is CE and RoHS compliant.

### FEATURES

- Four available models with 9 pre-configured adjustable set points scaled in motor hp
- Built in derating from Full Load Amps (FLA) to detect belt loss or other mechanical failure
- Snap on power relay option

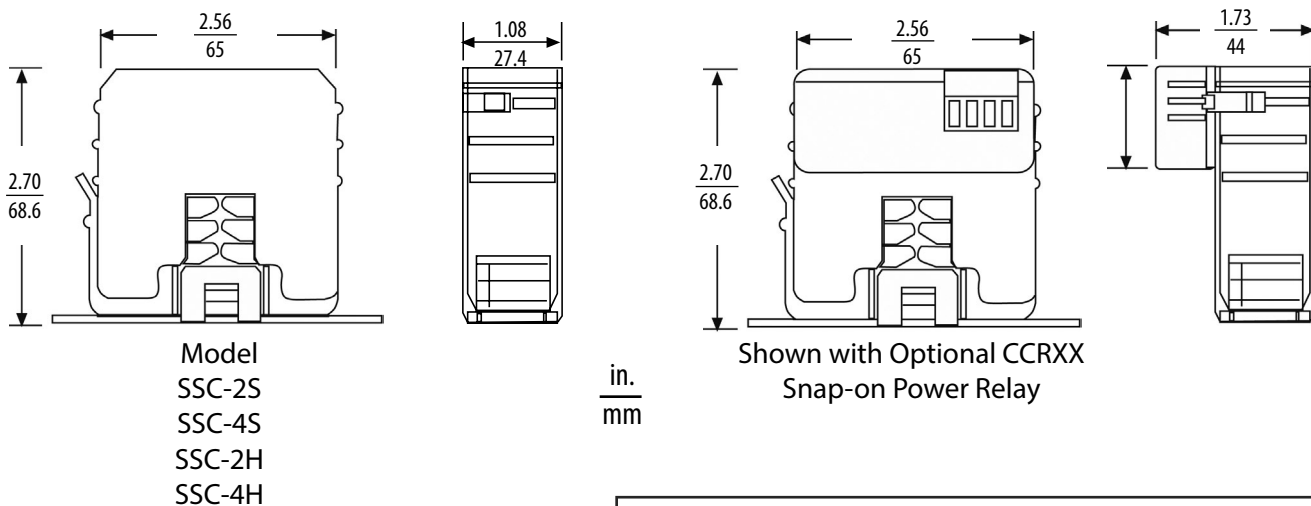
### BENEFITS

- **Eliminate arc flash risk on installation**  
Pre-configured adjustable set points eliminate need to work within a live enclosure
- **Save on inventory**  
Adjustable set points give flexibility for one switch to be used on a variety of different rated motors
- **Save on installation time**  
No need to convert amps to hp

### APPLICATIONS

- HVAC
- Refrigeration
- Pumps
- Industrial Motors
- Fans
- Lighting
- Heaters

### DIMENSIONS



Patent Pending



#### CAUTION, RISK of ELECTRIC SHOCK

Disconnect power supply before making electrical connections. contact with components carrying hazardous voltage can cause electrical shock and may result in severe personal injury or death.

SPECIFICATIONS				
MODEL	SSC-2S	SSC-4S	SSC-2H	SSC-4H
Motor hp Range	1, 2, 3, 5, 7.5, 10, 15, 20, 25	2, 3, 5, 7.5, 10, 15, 20, 25, 30	5, 7.5, 10, 15, 20, 25, 30, 40, 50	15, 20, 25, 30, 40, 50, 60, 75, 100
Continuous Operating Current	135A, 600V AC			
Switch Set Point	Adjustable, 9 position selector switch			
Output Relay Contacts (option)	Optional. Output contacts rated 10A @ 260V AC, 5A @ 30V DC			
Output Relay Coil Voltage (option)	Optional, 12V AC/DC or 24V AC/DC			
Switch LED Indication	Yes	Yes	Yes	Yes
Relay LED Indication (option)	Yes	Yes	Yes	Yes
Trip Point Set Value	35% below FLA @ selected Hp value			
Current Switching Mode	Under Current Sensing			
Dimensions	2.7 x 2.56 x 1.08 in. (69 x 65 x 27 mm)	2.7 x 2.56 x 1.08 in. (69 x 65 x 27 mm)	2.7 x 2.56 x 1.73 in. (69 x 65 x 44 mm)	2.7 x 2.56 x 1.73 in. (69 x 65 x 44 mm)
Aperture Size	0.72 x 0.78 in. (18 x 20 mm)			
Sensor Power Source	Induced from power conductor cable			
Status Output	Switch normally open			
Switch Load Capacity	1A @ 30V AC/DC max.			
Isolation Voltage	600V AC rms.			
Temperature Range	5 to 140°F (-15 to 60°C)			
Frequency Range	50/60 Hz			
Humidity Range	0 to 95% non-condensing			
Agency Approvals/Compliance	CE Compliant, RoHS Compliant, UL/c-UL Listed: 508, IND. Cont. EQ: E317719			

### ORDERING INFORMATION

□ □ □ - □ □

Model	Motor hp Range Code	Motor hp Ranges
SSC	2S	1, 2, 3, 5, 7.5, 10, 15, 20, 25 9 position set point for 230V AC Motor Application
SSC	4S	2,3,5,7.5,10,15,20,25,30 9 position set point for 480V AC Motor Application
SSC	2H	5,7.5,10,15,20,25,30,40,50 9 Position set point for 230V AC Motor Application
SSC	4H	15,20,25,30,40,50,60,75,100 9 Position set point for 480V AC Motor Application

Optional Snap on Power Relay

□ □ □ - □ □

Model	Voltage	Description
CCR	12	AC/DC
CCR	24	AC/DC

SSP-Sure-Set Rev A.03/12/2013