



**DETECT BELT LOSS, COUPLING SHEAR,  
AND MECHANICAL FAILURE**



H606



Small split-core package for retrofits

H706



Wide monitoring range in a solid-core housing

H806



Low turn-on in a mini solid-core package for small motors

H906



Wide monitoring range in a split-core housing

# Current Switches: Adjustable Trip Point, N.C. Output

Hawkeye x06 Series solid- and split-core current switches provide accurate, reliable, and maintenance-free fan and pump status indication.

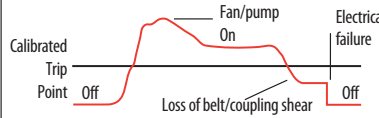
### APPLICATIONS

- Monitoring fans, pumps, motors, and other electrical loads for proper operation
- Detecting belt loss and motor failure...ideal for fan and pump status
- Verifying lighting circuit loads
- Monitoring critical motors (compressor, fuel, etc.)
- Monitoring industrial process equipment status (OEM)

**Cost effective...reduced installation and service costs**

- Adjustable trip point...4 amperage range options for versatility
- Easier to install than differential pressure switches...no tubing needed
- 100% solid-state, no moving parts to fail
- Output status LEDs for fast setup
- Adjustable mounting bracket on the solid-core housing...easy placement
- Self-gripping iris on the split-core housing for easy installation
- Bracket on H900 can be installed in three different configurations...added flexibility
- 5-year limited warranty

### Detects belt loss/coupling shear!



Now you can easily detect when drive belts slip, break, or pump couplings shear. In fact, a typical HVAC motor that loses its load has a reduction of current draw of up to 50%. That's why our sensors are the industry standard for status.



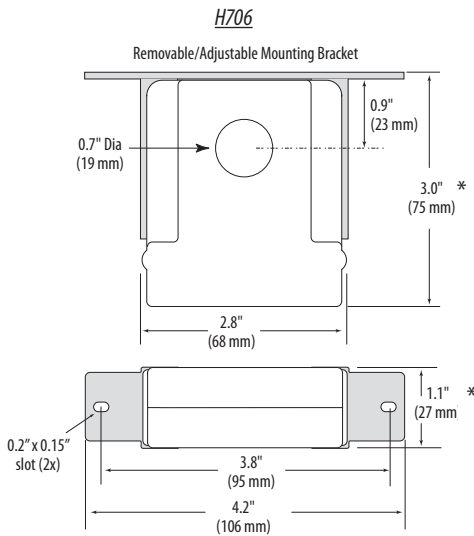
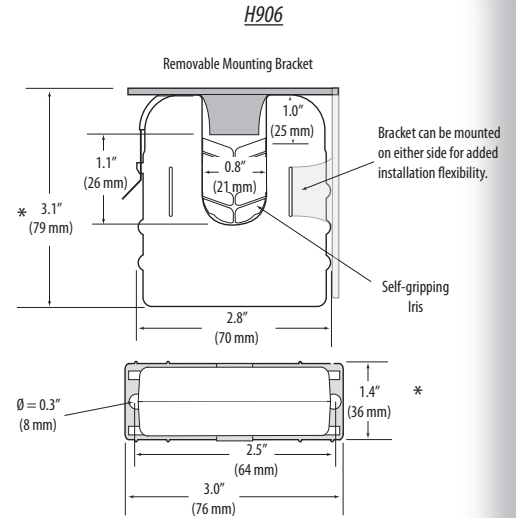
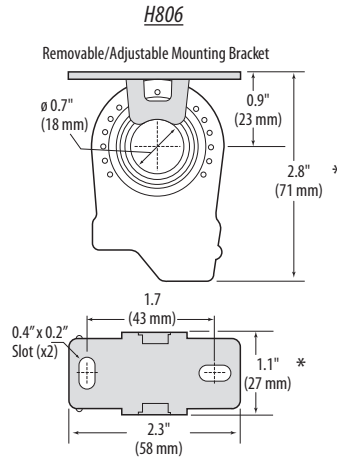
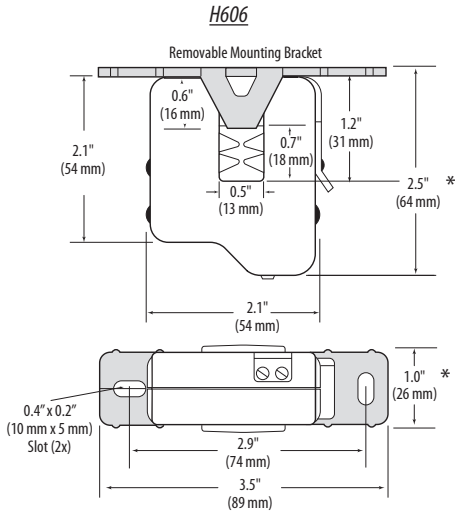
### SPECIFICATIONS

Sensor Power	5-30VDC
Insulation Class	600VAC rms (UL), 300VAC RMS (CE)
Frequency Range	50/60Hz
Temperature Range	-15° to 60°C (5° to 140°F)
Humidity Range	10-90% RH, non-condensing
Hysteresis	10% Typical
Off State Leakage	34µA@5VDC, 200µA@30VDC
On State Voltage Drop	1.9VDC max@0.1A
Terminal Block Maximum Wire Size	14 AWG
Terminal Block Torque (nominal)	4 in-lbs (0.45 N-m)
Agency Approvals	UL 508 open device listing CE: EN61010-1:2001-02, CAT III, deg. 2, basic insulation

Do not use the LED status indicators as evidence of applied voltage  
For applications requiring double or reinforced insulation, please contact the factory.

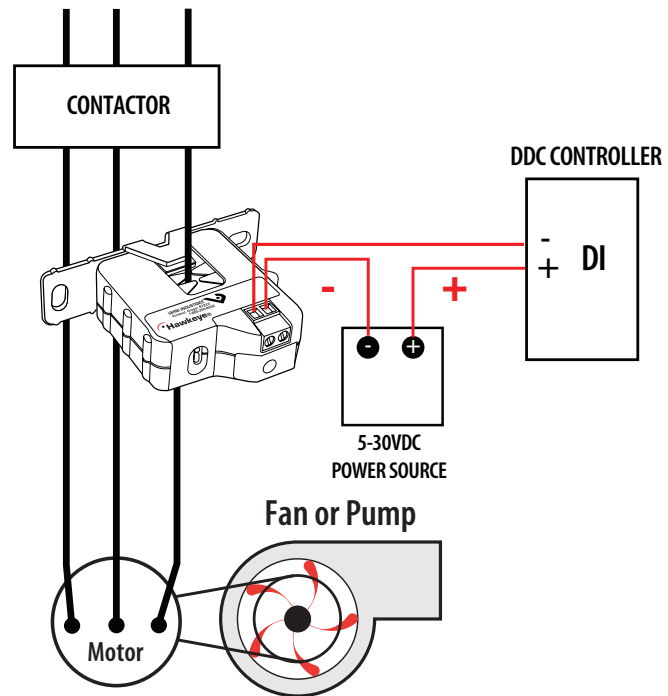


**DIMENSIONAL DRAWINGS**



**APPLICATION/WIRING EXAMPLE**

Monitoring Fan / Pump Motors for Positive Proof of Flow



\* Terminal block may extend up to 1/8" over the height dimensions shown.

**ORDERING INFORMATION**



MODEL	AMPERAGE RANGE	STATUS OUTPUT (max.)	MIN. TRIP POINT	HOUSING	STATUS LED	UL	CE
H606	1.25 - 50A	N.C. 0.1A@30VDC	1.25A or less	Split-Core	●	● <sup>1</sup>	●
H706	1-135A		1.0A or less	Solid-Core	●	●	●
H806	0.75 - 50A		0.75A or less	Solid-Core	●	●	●
H906	2.5-135A		2.5A or less	Split-Core	●	●	●

<sup>1</sup> Listed for use on 75°C insulated conductors.

**ACCESSORIES**

DIN Rail Clip Set, DIN Rail, and DIN Stop Clip...see page 219.