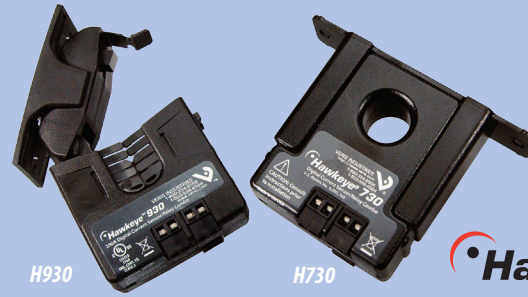


Current Switches with Relay: Fixed Trip Point

On/Off Status & Control In One Package



DESCRIPTION

The Hawkeye Relay Combination Series combines an on/off status sensor and command relay in one package, saving the labor, wire runs, and space required to mount a separate relay. The switch and relay (not electrically connected) are in the same housing, saving space and cost. It is ideal for monitoring and controlling motors where belt loss is not a concern.

APPLICATIONS

- Monitoring direct drive units, exhaust fans, and other fixed loads
- Monitoring on/off status of electrical loads
- Starting/stopping motors

FEATURES

- Reduce the number of installed components...saves time and space
- On/off status and command relay in a single labor and space saving device
- Cost-effectively monitor start/stop, unit vents, fan coils, exhaust fans, and other loads where belt loss is not a concern
- H740 and H940 feature a SPDT command relay
- No calibration required...easy setup and operation
- One device to install...reduces installation charges
- Easier to install than differential pressure switches...eliminates long wiring runs
- 100% solid state...no moving parts to fail
- Removable mounting bracket for installation flexibility
- Bracket on H930, H940, and H950 can be installed in three different configurations...added flexibility
- 5-year warranty

RELAY CONTACT RATINGS

Hx30, Hx50 (SPST, N.O.)	
Resistive.....	10A@250VAC, 30VDC
Inductive.....	5A@250VAC, 30VDC
Hx40 (SPDT)	
Resistive.....	8A@250VAC, 30VDC
Inductive.....	3.5A@250VAC, 30VDC

TYPICAL COIL PERFORMANCE

Voltage	AC	DC
24V.....	10mA	10mA
12V.....		20mA
Pull In Voltage		
Hx30		20.1VDC
Hx40		20.1VDC
Hx50		8.4VDC
Drop Out Voltage		
Hx30		5.2VDC
Hx40		5.2VDC
Hx50		3.0VDC



CURRENT MONITORING

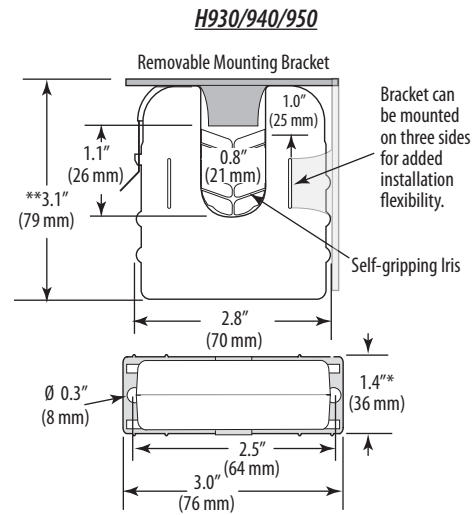
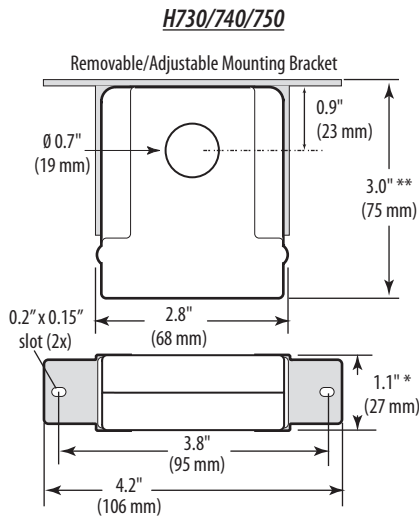
SPECIFICATIONS



Sensor Power	Induced from monitored conductor
Insulation Class	600VAC RMS
Temperature Range	-15° to 60°C (5° to 140°F)
Humidity Range	10-90% RH non-condensing
Frequency	50/60 Hz
Terminal Block Wire Size	24-14 AWG (0.2 to 2.1 mm ²)
Terminal Block Torque	3.5 to 4.4 in-lbs (0.4 to 0.5 N-m)
Agency Approvals	UL 508 open device listing

Do not use the LED status indicators as evidence of applied voltage.

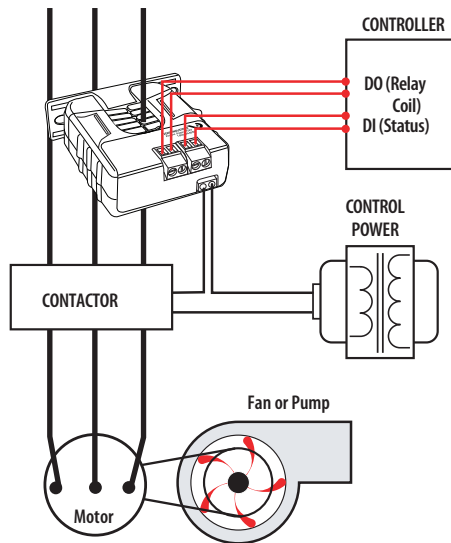
DIMENSIONAL DRAWINGS



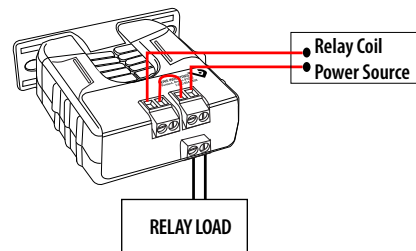
* Terminal block may extend up to 1/8" over the height dimensions shown.

APPLICATION/WIRING DIAGRAM

Start/Stop Monitoring of Fan/Pump Motors



Relay Controlled Directly by Status Contacts



ORDERING INFORMATION



MODEL	AMPERAGE RANGE	STATUS OUTPUT (max.)	TRIP POINT	RELAY	RELAY COIL	HOUSING	RELAY POWER LED	UL
H730	0.5 - 200A	N.O. 1.0A@30VAC/DC	0.5A or less	SPST, N.O.	24VAC/DC	Solid-core	●	●
H740	0.5 - 200A		0.5A or less	SPDT	24VAC/DC	Solid-core	●	●
H750	0.5 - 200A		0.5A or less	SPST, N.O.	12VDC nom.	Solid-core	●	●
H930	1.5 - 200A		1.5A or less	SPST, N.O.	24VAC/DC	Split-core	●	●
H940	1.5 - 200A		1.5A or less	SPDT	24VAC/DC	Split-core	●	●
H950	1.5 - 200A		1.5A or less	SPST, N.O.	12VDC nom.	Split-core	●	●

ACCESSORIES

DIN Rail Clip Set (AH01)
DIN Rail (AV01) and DIN Stop Clip (AV02)

