



VOLTAGE MODE OUTPUTS

**5 Year
Warranty**

H681x-V



Multiple output choices for application flexibility

Current Transducers, Voltage Output

The Hawkeye 681x-V Series of split-core current transducers provide a safe 0-0.333VAC or 0-1VAC output for use with data loggers, chart recorders, and power monitoring equipment.

Multiple output choices for application flexibility

- High accuracy: 1% from 10% to 100% of rated current
- 0.333V and 1VAC output versions available

APPLICATIONS

- Data logging
- Recording
- Power Monitoring

SPECIFICATIONS

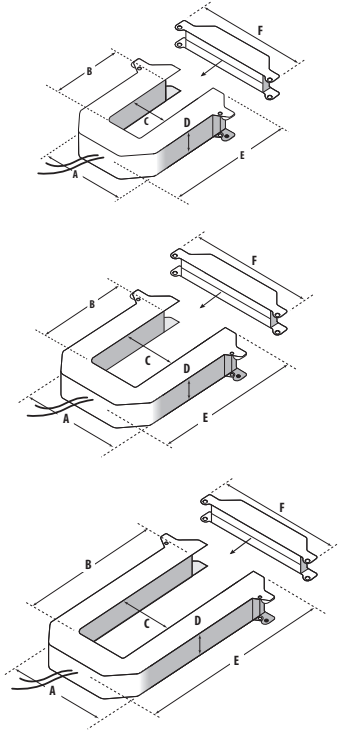
Output at Rated Current	0.333 or 1 VAC
Accuracy	1% from 10% to 100% of rated current
Frequency Range	50/60 Hz
Leads	18AWG, 600VAC, UL 1015 twisted pair, 6 ft. (1.8m) standard length
Weight	H6810: 0.340 kg; H6811: 0.580 kg; H6812: 0.870 kg
Operating Temperature Range	-15° to 60°C (5° to 140°F)
Storage Temperature Range	-40° to 70°C (-40° to 158°F)
Humidity Range	0-95% noncondensing
Max. Voltage L-N Sensed Conductor	600VAC (basic insulation rating) *
Altitude of Operation	3km max.
Installation Category	Cat II or Cat III

* Do not apply 600V Class current transducers to circuits having a phase-to-phase voltage greater than 600V, unless adequate additional insulation is applied between the primary conductor and the current transducers. Veris assumes no responsibility for damage of equipment or personal injury caused by products operated on circuits above their published ratings.

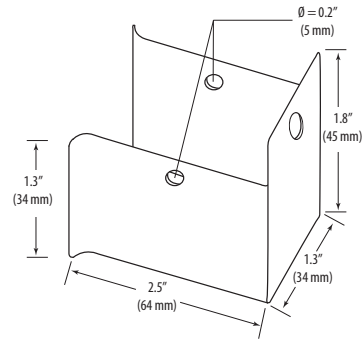




DIMENSIONAL DRAWINGS



AH06 Bracket Dimensions (optional accessory)



**H6810
SMALL**

100/300 Amp

- A = 3.8" (96 mm)
- B = 1.2" (30 mm)
- C = 1.3" (31 mm)
- D = 1.2" (30 mm)
- E = 4.0" (100 mm)
- F = 4.8" (121 mm)

**H6811
MEDIUM**

400/800 Amp

- A = 4.9" (125 mm)
- B = 2.9" (73 mm)
- C = 2.5" (62 mm)
- D = 1.2" (30 mm)
- E = 5.2" (132 mm)
- F = 5.9" (151 mm)

**H6812
LARGE**

800/1600/2400 Amp

- A = 4.9" (125 mm)
- B = 5.5" (139 mm)
- C = 2.5" (62 mm)
- D = 1.2" (30 mm)
- E = 7.9" (201 mm)
- F = 6.0" (151 mm)

ORDERING INFORMATION



- (Model/Amps) (Output Type)
- H681 □ - □
- Small:
- 0-100 = 100A
 - 0-200 = 200A
 - 0-300 = 300A
- Medium:
- 1-400 = 400A
 - 1-600 = 600A
 - 1-800 = 800A
- Large:
- 2-800 = 800A
 - 2-1200 = 1200A
 - 2-1600 = 1600A
 - 2-2000 = 2000A
 - 2-2400 = 2400A
- 1V = 0-1VAC
0.3V = 0-0.333VAC

Example:

H681 2-800A - 1V

ACCESSORIES

AH06 Universal Mounting Bracket Kit...see page 220.

