



# GREYSTONE ENERGY SYSTEMS INC

## CURRENT SENSOR CS-652 Series

The CS-652 Series current sensors monitor line current for electrical loads such as pumps, conveyors, machine tools, or fans and output a 4-20 mA Vdc signal to represent the load current.

The CS-652 is loop-powered and requires a 15-30 Vdc supply.

The sensors are typically used to monitor motor operation and can be used to determine motor failure, belt loss, machine feed rates or tool wear.

### SPECIFICATION:

Measurement Range:.....**CS-652-R1:** 0-10/20/50 Amps  
**CS-652-R2:** 0-50/100/150 Amps  
**CS-652-200:** 0-200 Amps  
Maximum Input Current:.....**CS-652-R1:** 100 Amps Continuous  
**CS-652-R2:** 150 Amps Continuous  
**CS-652-200:** 250 Amps Continuous  
Accuracy:.....**CS-652-R1/R2:** ± 2% FSO (5-100% of range)  
**CS-652-200:** ± 1% FSO (5-100% of range)  
Signal Output:.....4-20 mA  
Sensor Power:.....15 to 30 Vdc (loop-powered)  
Insulation Class:.....600 Vac, insulated conductors  
Frequency:.....50/60 Hz  
Response Time:.....250 mS Typical, 0-90 %  
Output Load:.....250 Ω typical  
Maximum Load:.....>600 Ω @ 24 Vdc  
Operating Temperature:.....-15 to 60 °C (5 to 140 °F)  
Operating Humidity:.....5 to 90% RH non-condensing  
Terminal Block:.....14 to 22 AWG  
Dimensions:.....67 x 68.6 x 24.1 mm  
(2.65 x 2.7 x 0.95 in)  
Sensor Aperture:.....20.3 mm (0.8 in)  
Enclosure Material:.....ABS/PC, UL94 V-0  
Agency Approvals:.....cULus Listed



### PART NUMBER SELECTED

### PRODUCT SELECTION INFORMATION:

MODEL	Product Description
CS-652	Solid-core Current Sensor, 4-20 mA Output

CODE	Sensing Range	Maximum Input
R1	0-10/20/50 Amps - Switch Selectable	100 Amps Continuous
R2	0-50/100/150 Amps - Switch Selectable	150 Amps Continuous
200	0-200 Amps	250 Amps Continuous

CS-652 - R1

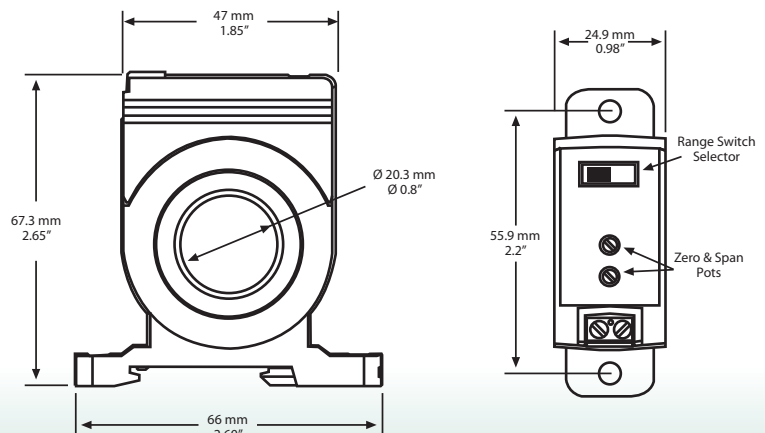
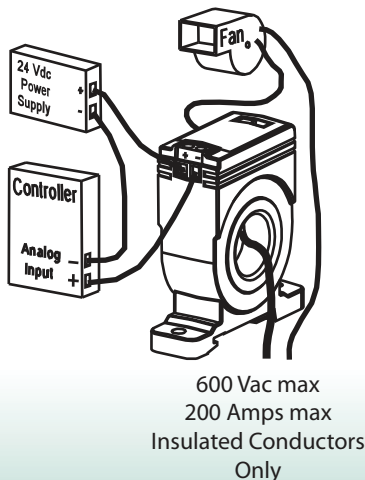
Greystone Energy Systems, Inc. reserves the right to make design modifications without prior notice.

### TYPICAL INSTALLATION:

For complete installation and wiring details, please refer to the product installation instructions.

The CS-652 series must be mounted in an electrical enclosure and has an integral mounting tab to allow either screw mount to a surface or spring mount to a DIN rail.

The CS-652 series has a 2 wire connection to the Building Automation System.



Greystone Energy Systems, Inc. (506) 853-3057 Fax: (506) 853-6014  
150 English Drive, Moncton, NB North America: 1-800-561-5611  
Canada E1E 4G7 e-mail: mail@greystoneenergy.com  
www.greystoneenergy.com

