

Please keep!

Bushing Type Current Transformer – 855 Series



! Before installation and operation, please read these instructions thoroughly and carefully. Incorrect installation may compromise safety in the event of a failure.

1. Safety Information

- !** Please observe the following:
- the applicable laws, standards and regulations
 - the current, accepted technology standards and practices at the time of installation
 - the operating instructions
 - the engineering regulations
 - the fact that operating instructions can only mention general regulations and that these must be observed.

Before start-up, please check the device for any damage that may have occurred during shipping. The device shall not be put into operation in the event of mechanical damage. The devices described in these instructions shall only be installed by a qualified electrician and shall only be installed in electrical switchgear or in sealed enclosures. Improper use or failure to follow this application note will render the warranty or guarantee null and void. The devices shall only be installed in dry, indoor areas. Do not install the devices on or in the vicinity of easily flammable materials.

2. Short description

855 Series current transformers are inductive single-conductor current transformer. Based on the principle of measurement, current transformers of this type are for use in AC networks exclusively.

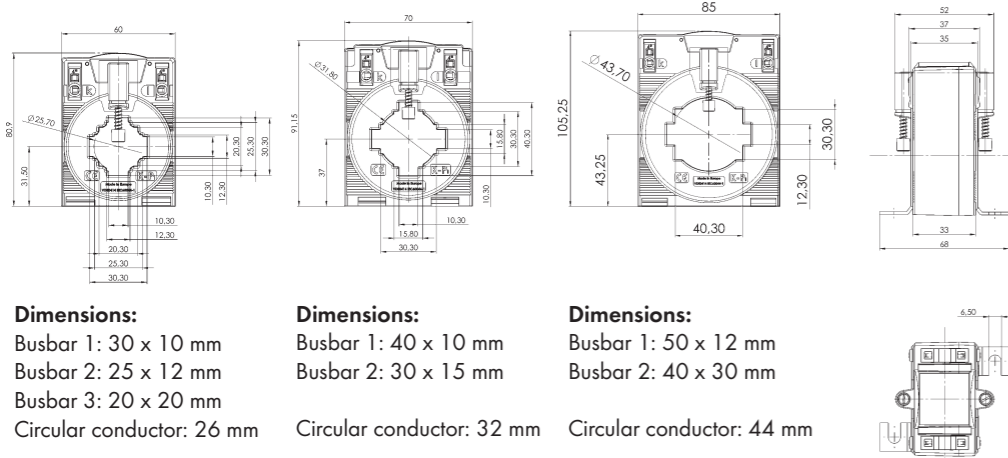
3. Installation

! **WARNING:** High voltage can cause electric shock or burns. De-energize both system and device before installation!

! **WARNING:** For a secondary circuit not under load of the current transformer, high voltages are induced on its secondary terminals. The occurring voltage values pose a danger to people as well as the reliability of the converter. "Open operation", i.e. operation of the current transformer without secondary circuit, is prohibited!

4. Dimensions

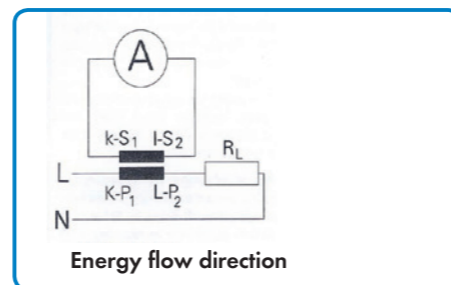
Item No. 855-03xx/xxxx-xxxx	Item No. 855-04xx/xxxx-xxxx	Item No. 855-05xx/xxxx-xxxx
---------------------------------------	---------------------------------------	---------------------------------------



Dimensions: Busbar 1: 30 x 10 mm Busbar 2: 25 x 12 mm Busbar 3: 20 x 20 mm Circular conductor: 26 mm	Dimensions: Busbar 1: 40 x 10 mm Busbar 2: 30 x 15 mm Circular conductor: 32 mm	Dimensions: Busbar 1: 50 x 12 mm Busbar 2: 40 x 30 mm Circular conductor: 44 mm
Module width: 60 mm Overall height: 80.5 mm Overall depth: 52 mm	Module width: 70 mm Overall height: 91 mm Overall depth: 52 mm	Module width: 85 mm Overall height: 105.25 mm Overall depth: 52 mm

5. Connection / pin assignment

Implementation of the primary winding is designated with "K-P₁" and "L-P₂", the connections of the secondary winding are designated with the corresponding lower case letters "k-s₁" and "l-s₂".

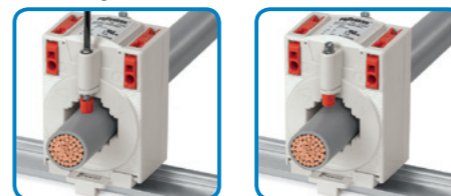


6. Mounting methods

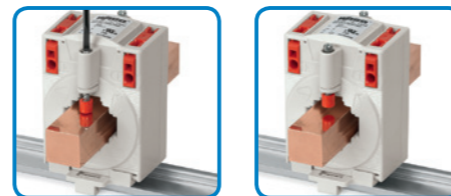
Mounting on retaining screw



Mounting on round cable



Mounting on copper carrier rail



Mounting on mounting plate



Mounting on carrier rail with carrier rail adapter



NOTE: The carrier rail adapter can be used for transformer types 855-03xx/xxxx-xxxx und 855-04xx/xxxx-xxxx.

7. Technical Data

Input

Primary rated current (type-dependent):	AC 50 A ... 1250 A
Thermal rated uninterrupted current I_{th} :	$1.2 \times I_N$
Thermal rated short-time current I_{th} :	$60 \times I_N$ (max. 100 kA), 1 s
Max. operating voltage U_m :	1.2 kV, U_{eff}
Rate frequency:	50 Hz ... 60 Hz
Overcurrent limiting factor (type-dependent):	FS5 or FS10 (see type plate inscription)

Output

Secondary rated current (type-dependent):	1 A or 5 A
Accuracy class (type-dependent):	1 to 3
Rated apparent power (type-dependent):	1.25 VA ... 10 VA

Environmental conditions

Operating temperature:	-5°C ... +50°C
Storage temperature:	-25°C ... +70°C
Operating altitude:	1,000 m

Safety and protection

Insulation test voltage:	6 kV, U_{eff} , 50 Hz, 1 Min
Insulation class:	E

Connection and fastening

Connection technology:	CAGE CLAMP®
Cross sections:	0.08 mm ² ... 4 mm ² / AWG 28 ... 12
Strip lengths:	9 ... 10 mm / 0.37 in

Standards and approvals

Conformity marking:	CE
Regulation compliance:	DIN EN 60044-1 (12/2003) VDE 0414-1 (12/2003) E356480

Accessories

Carrier rail adapter for bushing type current transformer	0855-9900
2-conductor disconnect/test terminal block	2007-8821
Operating tool	210-720

A current version of the data sheet and package insert are available on our website: www.wago.com.

8. Markings on the type plate

Rate frequency	Insulation class
WAGO order number	Thermal rated short-time current I_{th}
Rated apparent power	Max. operating voltage U_m / Rated insulation level
Accuracy class	Primary rated current Secondary rated current
Serial number or type designation	Overcurrent limiting factor