

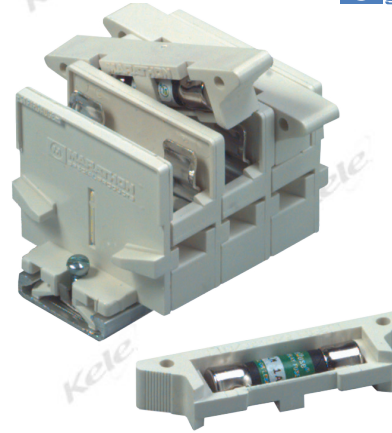
PANEL FABRICATION

SECTIONAL FUSE HOLDERS 6W30



DESCRIPTION

The **Model 6W30** sectional fuse holders are used with Model 6H38 Marathon sectional terminal blocks and may be mounted on the same mounting channel. Each row of fuse holders requires an end section. If the fuse holders are to be mounted alone, two mounting clamps are required in addition to the end section and mounting channel.



FEATURES

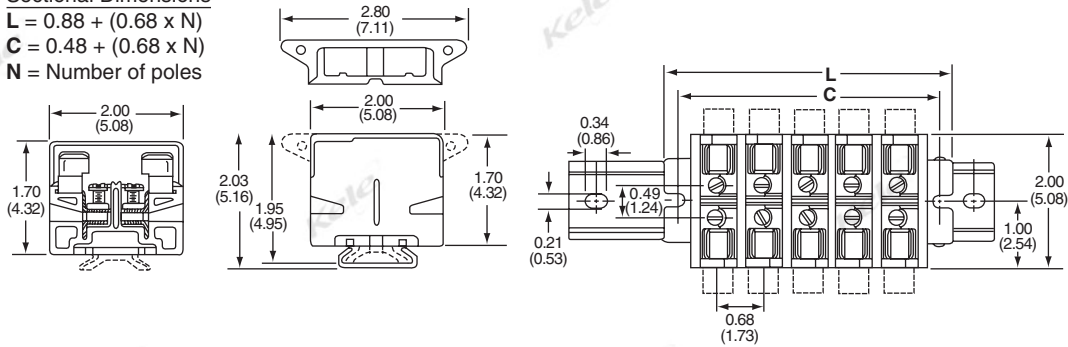
- Sectional design for layout flexibility
- Channel mounting
- Built-in fuse puller
- Compatible with 6H38 sectional terminal blocks

SPECIFICATIONS

Rated Voltage	600V	Flammability Rating	(FLM/FLQ Series) 94V-0
Rated Current	30A	Approvals	UL-recognized component, File #E35113; CSA certified, File #LR21455
Wire Size	22-10 AWG	Warranty	1 year
Materials of Construction	White nylon, 221°F (105°C)		
Clip Material	Copper alloy, tin plated		
Fuse Size	0.41" dia x 1.5"L (1.03 x 3.81 cm)		

DIMENSIONS

in
(cm) Sectional Dimensions
 $L = 0.88 + (0.68 \times N)$
 $C = 0.48 + (0.68 \times N)$
 N = Number of poles



ORDERING INFORMATION

MODEL	DESCRIPTION
6W30A1-C	Sectional fuse holder, channel mount
6WE-C	Fuse holder end section, channel mount
MC	Mounting clamps (2 required)
MPC-3	Pre-punched aluminum mounting channel, 3' (0.91m)
MPC-6	Pre-punched aluminum mounting channel, 6' (1.83m)

RELATED PRODUCTS	PAGE
FLM/FLQ 250/500 V fuses	854