



## BACNET MS/TP AND MODBUS RTU PROGRAMMABLE I/O VALUPOINT VP4-23 SERIES



### DESCRIPTION

The Control Solutions ValuPoint® Model VP4-2330 programmable I/O for BACnet MS/TP is a BACnet Application Specific Controller (B-ASC) that includes user programmable control, 14 analog/universal inputs, 3 analog outputs, and 6 relay outputs. VP4-2330 also includes a BACnet client for interface with other MS/TP devices. It includes an enhanced processor and expanded memory capacity along with a robust feature set. Model VP4-2310 supports Modbus RTU master or slave with 14 analog/universal inputs, 3 analog outputs and 6 digital outputs.



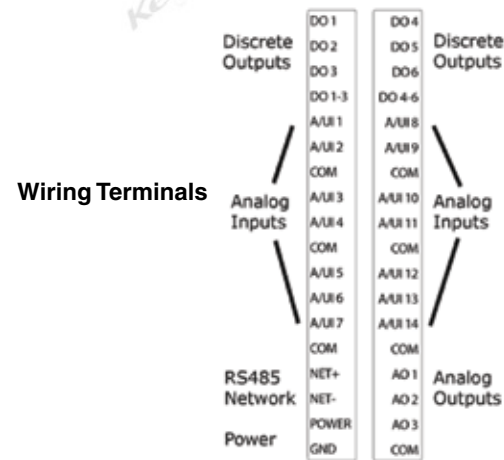
VP4-23 Series



### FEATURES

- BACnet MS/TP and Modbus RTU model options
- Implements B-ASC BACnet Standard Profile
- Freely programmable - i.CanDrawIt® graphical programming
- COV Subscription support
- BACnet client for interface to other slave devices
- Configurable object allocation, up to 200 objects (VP4-2330)
- Up to 320 Modbus Registers (VP4-2310)

### WIRING



### SPECIFICATIONS

<b>Supply Voltage</b>	18-30 VDC @ 300 mA or 24 VAC @ 1.2 VA, 50/60 Hz	<b>Processor</b>	ARM 32-bit 64K Flash for User Program Freely programmable i.CanDrawIt® graphical programming
<b>Communication Ports</b>	RS-485	<b>Data Logging</b>	Yes
<b>Baud Rate</b>	BACnet MS/TP at 9600 to 76800 baud	<b>Operating Temperature</b>	-40° to 185°F (-40° to 85°C)
<b>Analog Input</b>		<b>Operating Humidity</b>	5-95% RH non-condensing
<b>14 Universal Inputs</b>	0-10 VDC, thermistor, digital, dry contact, pulse	<b>Mounting</b>	DIN rail
<b>Accuracy</b>	0.1% reference, up to 16-bit resolution, 10-bit fast scan mode	<b>Dimensions</b>	3.94" H x 4.13" W x 2.36"D (100 x 105 x 60mm)
<b>Analog Output</b>		<b>Weight</b>	1.5 lbs (0.68 Kg)
<b>3 Output</b>	4-20mA (0-20mA), 8-bit resolution, 2-10VDC with 500 ohm load max.	<b>Approvals</b>	UL File# 312255, CE, RoHS
<b>Digital Outputs</b>	6 Outputs Form A relay 2A @ 120 VAC or 2A @ 30 VDC	<b>Warranty</b>	1 year
<b>Protocol</b>			
<b>VP4-2330</b>	BACnet MS/TP		

### ORDERING INFORMATION

MODEL	DESCRIPTION
VP4-2330	BACnet MS/TP, 14 universal inputs, 3 analog outputs, 6 digital outputs
VP4-2310	Modbus RTU, 14 universal inputs, 3 analog inputs, 6 digital outputs