

MESHNET900™ WIRELESS REMOTE TEMPERATURE SYSTEMS SST2630

DESCRIPTION

The ACI Meshnet900™ SST2630 wireless remote sensor is encapsulated in a 0.25" OD 304 stainless steel probe. The sensor is used typically for a single point of temperature measurement in piping or ductwork.

A Data-Link LED is used to confirm the receiver has received the data transmission. This eliminates the need for special wireless installation equipment or tools and allows for quick installation.

FEATURES

- **Battery included**
- **No calibration required**
- **No wiring needed**
- **Easy to install**
- **Battery powered sensors**
- **Mesh Network - easy to install and relocate sensors without additional wireless installation tools**
- **Sensor Data-Link LED confirms connection with Frontier 2.0 receivers**
- **Long battery life (approximately 4 to 5 years)**
- **Low battery LED plus remote low battery alarm notification**
- **Reliable Spread Spectrum technology**



**SST2630
(Battery Included)**

SPECIFICATIONS

DEVICE OPERATION

Supply Voltage	1 or 2, Lithium 3.0V 1400 mAh
Batteries	Duracell, DL123A, (Included)
Battery Life	4-5 years @75 second interval
Sensor Type	Temperature, 20K-2 thermistor internal
Probe length	Stainless Steel, 1/4" dia x 2" length CL2P Cable (Cable length per order)

Transmitted Range Value

SST2630A	Overall Range, 25° to 125°F (-3° to 52°C)
SST2630B	Overall Range, 0° to 200°F (-18° to 93°C)
SST2630C	Overall Range, -40° to 160°F (-40° to 71°C)

Transmitted Accuracy

Temperature	±1.0°F (±0.55°C)
Indication	LED on Transmit and data link conformation

LED on Low battery

A/D resolution	12 bit (4095 counts)
Mounting	Direct to wall w/tabs
Wiring	None
Operating Temperature	32° to 140°F (0° to 60°C)
Operating Humidity	5 to 95% RH (non-condensing)
Construction	Polycarbonate (NEMA 4), ABS (NEMA 1)
Enclosure Rating	NEMA 4 (UL 94 5VA), NEMA 1 (UL 94 HB)

Dimensions	1.75"H x 3.00"W x 5.75"D, Probe Ø 0.25" (4.44 x 7.92 x 14.6 cm)
-------------------	--

Weight	1.2 lb (0.54 Kg)
Warranty	1 year

RADIO TRANSMITTER

Protocol	Proprietary (ACI), IEEE 802.15.4-2003/2006 Data-Link LED confirms receiver reception
Frequency	902-928 MHz
Channel Network	1
Modulation	Direct Sequence Spread Spectrum (DSSS)
Transmit Power	11.2 mW (11 dBm)
Receiver Sensitivity	-110db
Open Air Range	5,280 ft (1,600m) Open air 200' - 500' (61-152m) in building
Low Battery Indication	Yes, LED
Transmission time	20ms
Transmission Interval	75 seconds standarD (Can be factory programmed at 300 sec)
Antenna	Internal
Channels	One
Device Addresses	100 transmissions per minute
Programming	Program cable & laptop (free SW)
Repeater Capable	Yes, (can increase open air range x2)
Compliance	FCC ID# T4F061213RSO, RoHS



INSTALLATION

CAUTION:

Sensors, repeaters and receivers should NOT be installed in the following areas or transmission distance and performance will be drastically reduced:

- Inside metal enclosure or panel

CAUTION:

Do not use this product in any safety related applications where human life may be affected.

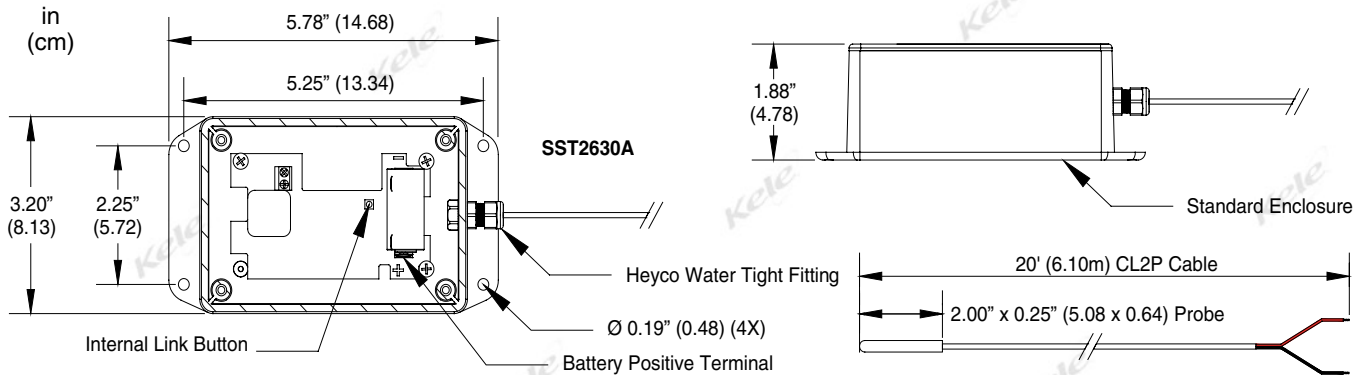
Wireless **SST2630** sensors should be installed within 200 to 500 feet of the receiver or repeater. **RR2552** signal repeaters can be installed as needed to increase transmission distance another 200 to 500 feet between sensors and receivers.

To select the proper sensor location, first install and power the receiver. Observing polarity, insert the battery into the sensor to activate it.

The sensor probe should be mounted under any insulation in direct contact with the pipe using metal pipe straps. For proper measurement of temperature, thermal conductive compound should be used in between the sensor probe and the pipe. The installation must be wrapped with insulation to reduce the effect of ambient air.

Locate and record the sensor TXID numbers located on a label on the inside of the enclosure cover. This information will be needed when setting up the receiver.

DIMENSIONS



ORDERING INFORMATION

MODEL	DESCRIPTION
SST2630	Wireless Remote/Strap-on Temperature Sensor
	Temperature ranges
A-K	25° to 125°F
B-K	0° to 200°F
C-K	-40° to 160°F
	Enclosure
E-K	NEMA4 enclosure (Optional)

SST2630 - A-K - E-K

Example: SST2630A-KE-K Sensors in NEMA4 enclosure with 25°F to 125°F range.