

L-VIS

LVIS-3E112 Touch Panel 12.1"
LVIS-3E115 Touch Panel 15"

Installation instructions

Instructions de montage

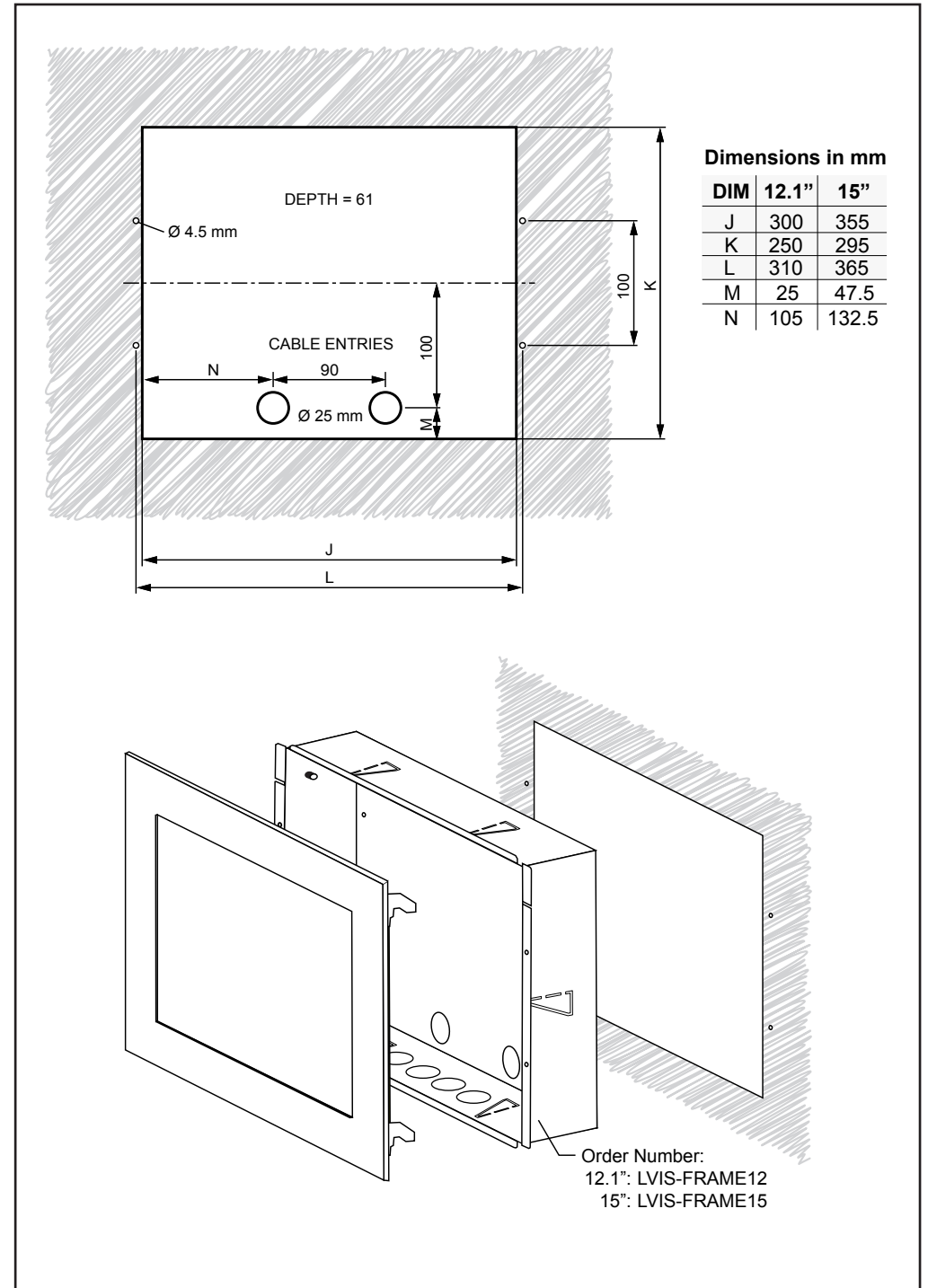
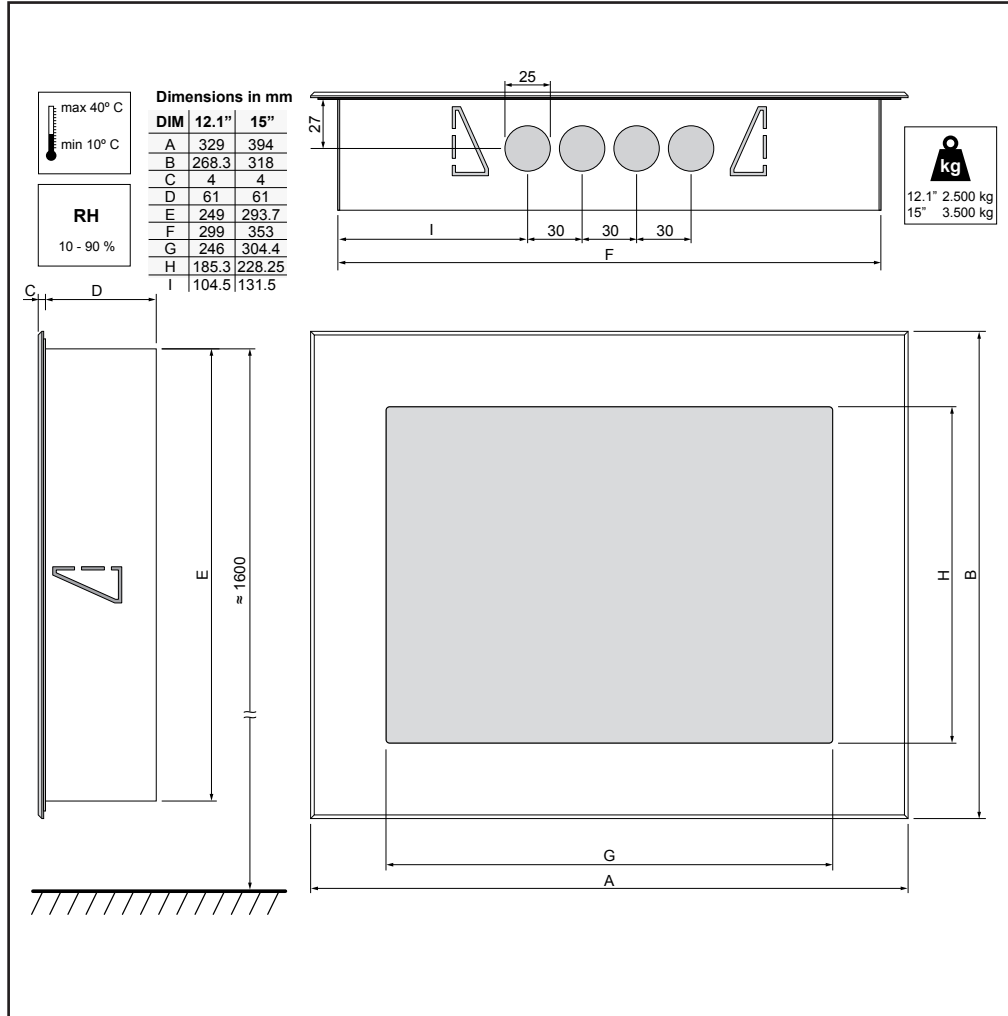
Instruzioni di montaggio

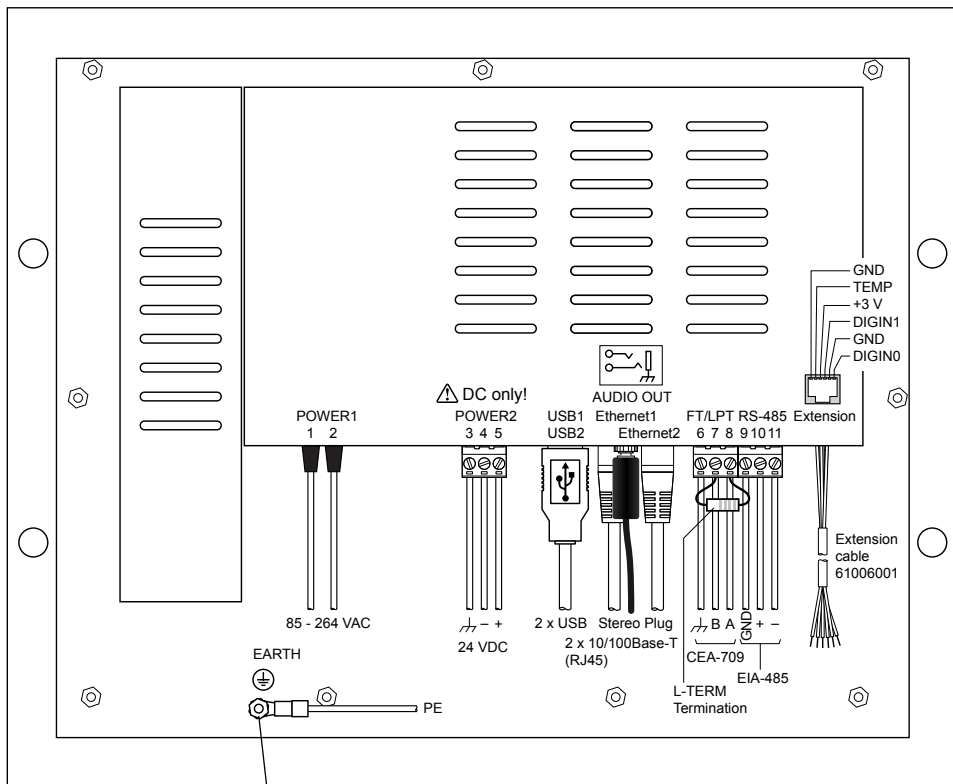
Montageanweisung

Instrucciones de montaje

Montagevoorschrift

Monteringsanvisning





⚠ PROTECTIVE EARTH MUST BE CONNECTED!

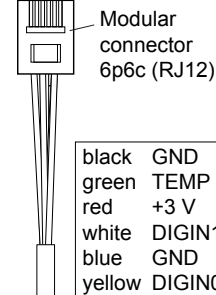
Connectors

| | | |
|----------------------|----|--|
| POWER1 85-264 VAC | 1 | Power supply AC input |
| | 2 | Power supply AC input |
| POWER2 24 VDC | 3 | Power supply DC input earth ground |
| | 4 | Power supply DC input MINUS |
| | 5 | Power supply DC input PLUS ⚠ do not connect PLUS to GND |
| CEA-709 | 6 | Input earth ground |
| TP/FT-10 | 7 | Input B |
| TP/LPT | 8 | Input A |
| EIA-485 | 9 | Input GND |
| | 10 | Input + |
| | 11 | Input - |

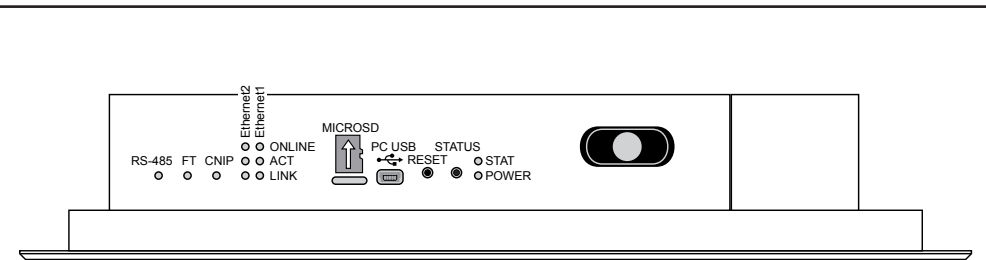
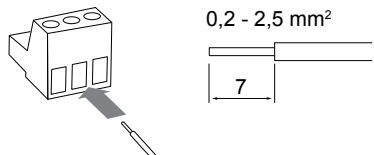
TRS connector
Stereo 3.5 mm



Extension cable
Nr. 61006001



Weidmüller BLZP 5.08/03/180



Status LEDs

| | | |
|--------|------------------------|--|
| FT | GREEN flashing fast | Traffic on CEA-709 port |
| | GREEN flashing at 1 Hz | CEA-709 port not commissioned |
| | RED permanent | CEA-709 port is damaged |
| | RED flashing fast | Traffic overload on CEA-709 port |
| CNIP | GREEN | IP port is fully functional |
| | YELLOW | IP port functional but config. is not up-to-date |
| | RED | IP port is non-functional |
| | Flashing at 1Hz | IP port not commissioned |
| | OFF | IP port not active |
| LINK | GREEN | Ethernet link |
| ACT | GREEN flashing | Ethernet traffic |
| ONLINE | GREEN | Node is in configured online state |
| PWR | GREEN | Power |
| STAT | OFF | Normal operation |

Buttons

| | |
|--------|--------------------------|
| RESET | Reset |
| STATUS | Send service pin message |

Node ID of CEA-709 Port

Virtual (Node) ID of CEA-852 port (Ethernet)

MAC address of CEA-852 Ethernet port

Serial number of the device

LOYTEC electronics GmbH
LVIS-3E112
Date Code
CE FC
MADE IN AUSTRIA
W51/2009
SRR#

Document 88076801
2010-01
Printed in Austria
Data is subject to change



<http://www.loytec.com>
support@loytec.com