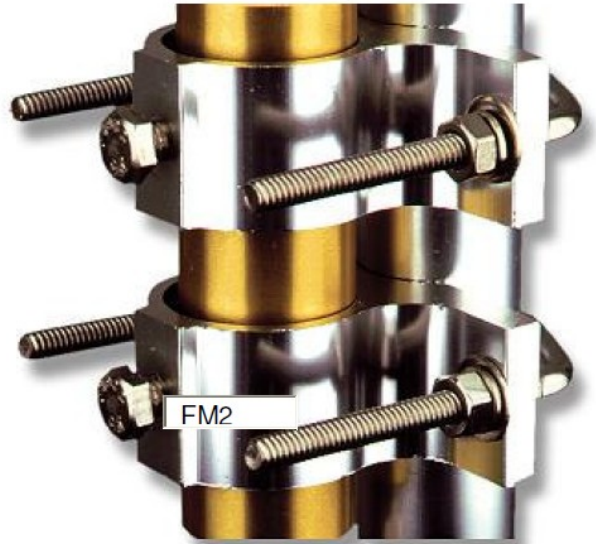
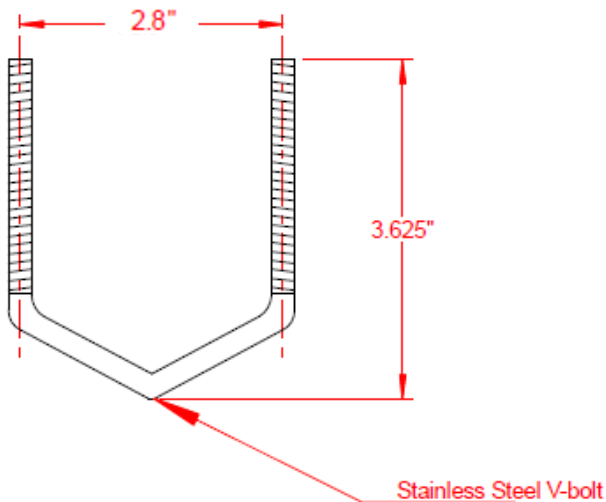
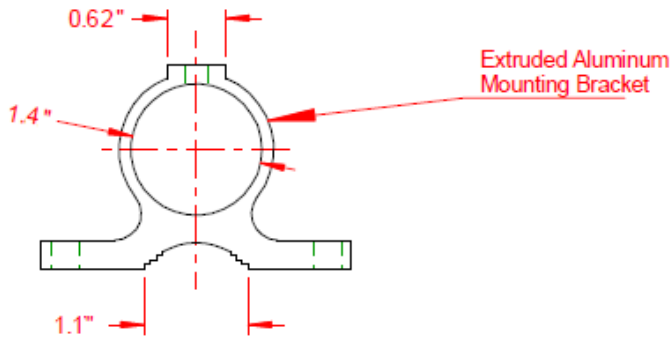
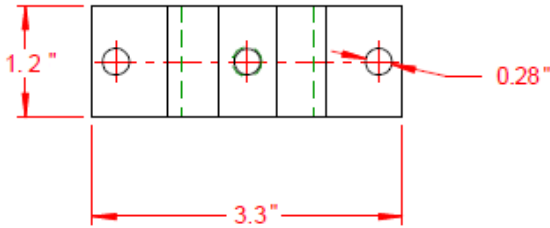


**FM2 bracket**  
for reference only



**FM2 - MOUNTING  
BRACKET**

**FM2 includes 1 pair of aluminum mounting brackets and u-bolt hardware**