



310 South Union St.
 Russiaville, IN 46979
 www.FunctionalDevices.com

Sales 800.888.5538
 Office 765.883.5538
 Fax 765.883.7505

EnOcean® Wireless Relay Receiver

We suggest performing Learn mode functions before transmitters are installed in their final locations.
 Learn mode transmission distance is 10-15 ft. maximum.

Rocker Mode (Most common mode)

In rocker mode, the EnOcean® enabled RIB® will only respond to a switch press and not a release. Pressing one side of the switch will activate the relay. Pressing the other side of the switch will deactivate the relay.

1. Power up EnOcean® enabled RIB®.
2. Press LRN (learn) button for ½ second.
3. LED and relay will begin toggling.
4. Press either side of the switch you want to learn (or LRN button on RIB transmitter.)
5. LED and relay will stop toggling and will be activated.
6. Wait 5 seconds.
7. LED and relay will begin toggling.
8. To learn more switches, go back to Step 4. Otherwise, continue to Step 9.
9. Press LRN button for ½ second to exit learn mode.
10. LED and relay will stop toggling.

Momentary Mode

In momentary mode, each side of the switch acts as a momentary button. The relay will activate when the button is pressed and deactivate when the button is released. Each side of the switch can be learned as a separate button.

1. Power up EnOcean® enabled RIB®.
2. Press LRN (learn) button for ½ second to enter rocker learning mode.
3. LED and relay will begin toggling slowly.
4. Press and hold the LRN button for 3 seconds to enter momentary learning mode.
5. LED and relay will begin toggling at a faster rate.
6. Press the side of the switch you want to learn.
7. LED and relay will stop toggling and will be activated.
8. Wait 5 seconds.
9. LED and relay will begin toggling at the faster rate.
10. To learn another side of a switch, go back to Step 6. Otherwise, continue to Step 11.
11. Press LRN button for ½ second to exit learn mode.
12. LED and relay will stop toggling.

Clearing Individual Transmitters from Memory

1. Enter the learn mode the switch was originally learned into following the instructions for each mode.
2. LED and relay will be toggling.
3. Press the switch or side of the switch you want to remove from the memory of the EnOcean® enabled RIB®.
4. LED and relay will stop toggling and will be deactivated.
5. Wait 5 seconds.
6. LED and relay will begin toggling.
7. Press the LRN button for ½ second to exit learn mode.

Toggle Mode

In toggle mode, the EnOcean® enabled RIB® will change state on every button press. If the relay is activated, it will deactivate when the button is pressed. If the relay is deactivated, it will activate on the next button press. As in momentary mode, both sides of the switch can be learned as different buttons. However, the release of the switch is ignored as it is in rocker mode.

1. Power up EnOcean® enabled RIB®.
2. Press LRN button for ½ second to enter rocker learning mode.
3. LED and relay will begin toggling slowly.
4. Press and hold the LRN button for 3 seconds to enter momentary learning mode.
5. LED and relay will begin toggling at a faster rate.
6. Press and hold the LRN button for 3 more seconds to enter toggle learning mode.
7. LED and relay will stop toggling briefly, then will continue to toggle at the faster rate.
8. Press the side of the switch you want to learn.
9. LED and relay will stop toggling and will be activated.
10. Wait 5 seconds.
11. LED and relay will begin toggling at the faster rate.
12. To learn another side of a switch, go back to Step 8. Otherwise, continue to Step 13.
13. Press LRN button for ½ second to exit learn mode.
14. LED and relay will stop toggling.

Repeater Activation Procedure

In repeater mode, the EnOcean® enabled RIB® will receive telegrams from any 315 MHz EnOcean enabled device and retransmit the signals. Telegrams will only be repeated once, and repeaters should be kept to a minimum to reduce telegram interference. The EnOcean® enabled RIB® will still operate in any of the other modes listed in this bulletin.

1. Remove power from EnOcean® enabled RIB®.
2. Press and hold LRN button.
3. Apply power to EnOcean® enabled RIB®.
4. Hold LRN for 3-4 seconds.
5. LED and relay will toggle twice to indicate repeater mode.
6. Release LRN button.
7. Place "Repeater" label supplied with unit on the outside of the EnOcean® enabled RIB® to indicate it is set up as a repeater.
8. To disable repeater mode, repeat the above procedure and the LED and relay will toggle once to indicate non-repeater mode. Then remove "Repeater" label from the outside of the EnOcean® enabled RIB®.

Global Clear

1. Press and hold CLR button.
2. LED and EnOcean® enabled RIB® will toggle.
3. Press LRN for 1/2 second to exit Learn Mode.

Bulletin B981 393086L



310 South Union St.
 Russiaville, IN 46979
 www.FunctionalDevices.com

Sales 800.888.5538
 Office 765.883.5538
 Fax 765.883.7505

EnOcean® Wireless Relay Receiver

We suggest performing Learn mode functions before transmitters are installed in their final locations.
 Learn mode transmission distance is 10-15 ft. maximum.

Rocker Mode (Most common mode)

In rocker mode, the EnOcean® enabled RIB® will only respond to a switch press and not a release. Pressing one side of the switch will activate the relay. Pressing the other side of the switch will deactivate the relay.

1. Power up EnOcean® enabled RIB®.
2. Press LRN (learn) button for ½ second.
3. LED and relay will begin toggling.
4. Press either side of the switch you want to learn (or LRN button on RIB transmitter.)
5. LED and relay will stop toggling and will be activated.
6. Wait 5 seconds.
7. LED and relay will begin toggling.
8. To learn more switches, go back to Step 4. Otherwise, continue to Step 9.
9. Press LRN button for ½ second to exit learn mode.
10. LED and relay will stop toggling.

Momentary Mode

In momentary mode, each side of the switch acts as a momentary button. The relay will activate when the button is pressed and deactivate when the button is released. Each side of the switch can be learned as a separate button.

1. Power up EnOcean® enabled RIB®.
2. Press LRN (learn) button for ½ second to enter rocker learning mode.
3. LED and relay will begin toggling slowly.
4. Press and hold the LRN button for 3 seconds to enter momentary learning mode.
5. LED and relay will begin toggling at a faster rate.
6. Press the side of the switch you want to learn.
7. LED and relay will stop toggling and will be activated.
8. Wait 5 seconds.
9. LED and relay will begin toggling at the faster rate.
10. To learn another side of a switch, go back to Step 6. Otherwise, continue to Step 11.
11. Press LRN button for ½ second to exit learn mode.
12. LED and relay will stop toggling.

Clearing Individual Transmitters from Memory

1. Enter the learn mode the switch was originally learned into following the instructions for each mode.
2. LED and relay will be toggling.
3. Press the switch or side of the switch you want to remove from the memory of the EnOcean® enabled RIB®.
4. LED and relay will stop toggling and will be deactivated.
5. Wait 5 seconds.
6. LED and relay will begin toggling.
7. Press the LRN button for ½ second to exit learn mode.

Bulletin B981 393086L

Toggle Mode

In toggle mode, the EnOcean® enabled RIB® will change state on every button press. If the relay is activated, it will deactivate when the button is pressed. If the relay is deactivated, it will activate on the next button press. As in momentary mode, both sides of the switch can be learned as different buttons. However, the release of the switch is ignored as it is in rocker mode.

1. Power up EnOcean® enabled RIB®.
2. Press LRN button for ½ second to enter rocker learning mode.
3. LED and relay will begin toggling slowly.
4. Press and hold the LRN button for 3 seconds to enter momentary learning mode.
5. LED and relay will begin toggling at a faster rate.
6. Press and hold the LRN button for 3 more seconds to enter toggle learning mode.
7. LED and relay will stop toggling briefly, then will continue to toggle at the faster rate.
8. Press the side of the switch you want to learn.
9. LED and relay will stop toggling and will be activated.
10. Wait 5 seconds.
11. LED and relay will begin toggling at the faster rate.
12. To learn another side of a switch, go back to Step 8. Otherwise, continue to Step 13.
13. Press LRN button for ½ second to exit learn mode.
14. LED and relay will stop toggling.

Repeater Activation Procedure

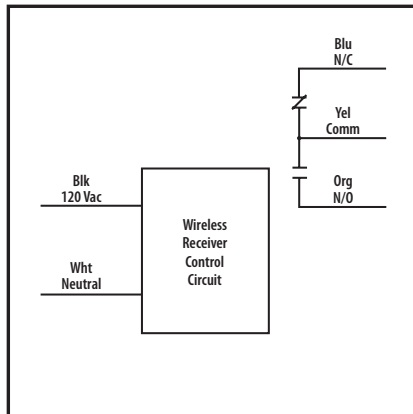
In repeater mode, the EnOcean® enabled RIB® will receive telegrams from any 315 MHz EnOcean enabled device and retransmit the signals. Telegrams will only be repeated once, and repeaters should be kept to a minimum to reduce telegram interference. The EnOcean® enabled RIB® will still operate in any of the other modes listed in this bulletin.

1. Remove power from EnOcean® enabled RIB®.
2. Press and hold LRN button.
3. Apply power to EnOcean® enabled RIB®.
4. Hold LRN for 3-4 seconds.
5. LED and relay will toggle twice to indicate repeater mode.
6. Release LRN button.
7. Place "Repeater" label supplied with unit on the outside of the EnOcean® enabled RIB® to indicate it is set up as a repeater.
8. To disable repeater mode, repeat the above procedure and the LED and relay will toggle once to indicate non-repeater mode. Then remove "Repeater" label from the outside of the EnOcean® enabled RIB®.

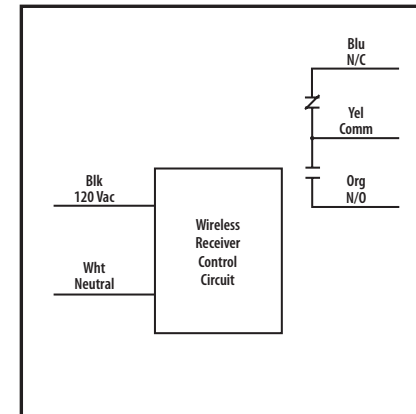
Global Clear

1. Press and hold CLR button.
2. LED and EnOcean® enabled RIB® will toggle.
3. Press LRN for 1/2 second to exit Learn Mode.

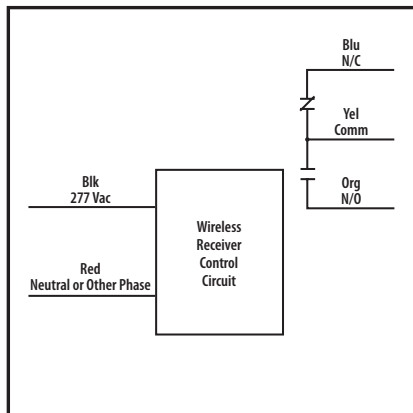
120 Vac Models



120 Vac Models



208, 240, or 277 Vac Models



208, 240, or 277 Vac Models

