

# LIGHTING CONTROLS

## PHOTO SWITCHES EM SERIES



### DESCRIPTION

The **Wattstopper EM Series** is a low voltage photocell used for controlling exterior lighting and signage. The photocell provides an ON signal when the ambient light level drops below a preset dark setpoint. It then provides a signal OFF as the ambient light level rises above the preset light setpoint. The photocell relay contacts (red wires) are connected to a low voltage controller or directly to a Building Automation System.

### FEATURES

- *On at dusk, off at dawn operation*
- *Simple installation and wiring*
- *One set of normally open, isolated relay contacts*
- *8-second time delay and built-in setpoint deadband*
- *1/2" threaded male conduit base*
- *Weatherproof enclosure*
- *Economical input to BAS or lighting control systems*
- *Ideal for parking, billboard, or security lighting*



EM Series

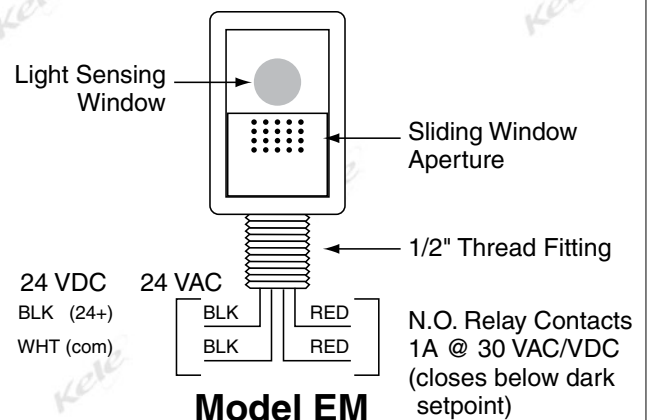
SPECIFICATIONS	
<b>Supply Voltage</b>	24 VAC @ 1 VA, 24 VDC @ 41.6 mA
<b>Relay Type</b>	SPST, N.O., Dry contact
<b>Relay Rating</b>	30 VAC/VDC @ 1A
<b>Sensor Type</b>	Cadmium Sulfide photocell
<b>Accuracy</b>	±10% fc
<b>Setpoint</b>	On at dusk, off at dawn operation
<b>Slide cover adjust</b>	(ON/OFF from 1-15 fc)
<b>Light Differential</b>	Approximately 3 fc
<b>Off delay</b>	Approximately 8 minutes
<b>Operating Temperature</b>	-25° to 125°F (-31.7° to 51.7°C)
<b>Operating Humidity</b>	0% to 100% Condensing
<b>Wiring Terminations</b>	8" Pigtail Leads, 20AWG
<b>Mounting</b>	Stem with 1/2" thread fitting
<b>Enclosure Rating</b>	NEMA 3R weatherproof
<b>Dimensions</b>	2.64" x 1.57" x 1.89" (67.1 x 39.9 x 48.0 mm)
<b>Weight</b>	0.4 lb (0.18 Kg)
<b>Approvals</b>	Compatible with Title 24 when used in a system
<b>Warranty</b>	1 year

### OPERATION

#### INSTALLATION/ MOUNTING

Mount on exterior or roof of building. Point light sensing window North. The photocell provides a closed contact when the ambient light level drops below a preset dark setpoint. It then provides an open contact as the ambient light level rises above the preset light setpoint. The setpoint can be changed for specific applications by opening and closing the photocell aperture window.

### WIRING



### ORDERING INFORMATION

MODEL	DESCRIPTION
<b>EM-24A2</b>	24 VAC Exterior photocell with SPST, N.O. relay contact
<b>EM-24D2</b>	24 VDC Exterior photocell with SPST, N.O. relay contact