

LEVEL & LEAK DETECTION

LEVEL TRANSMITTER LS-10, LH-10 SERIES



DESCRIPTION

The **Wika LH10 & LS-10 Series Level Transmitter** is exceptionally stable and is virtually unaffected by shock, vibration and orientation. The LH-10 series level transmitters have 0.125% accuracy for the 4-20 mA signal while the LS-10 series has 0.25%. Both the **LH-10 & LS-10 Series** can be lowered into a tank of water and the 4-20 mA signal will directly correspond to the level.

FEATURES

- 0.125% (LH-10). 0.25% (LS-10) accuracy, all ranges
- 4-20 mA, loop powered
- Ranges from 4.2 feet (1.3 m) to 34.9 feet (10.6 m)

NEW!



LH-10



LS-10



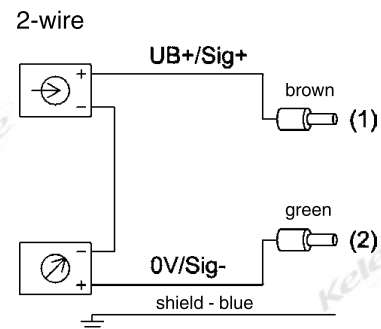
10

LEVEL & LEAK DETECTION

| SPECIFICATIONS | |
|---------------------------|--|
| Supply Voltage | 10-30 VDC |
| Accuracy | |
| LS-10 | 0.25% of span |
| LH-10 | 0.125% of span |
| Signal Output | 4-20 mA |
| Maximum Output Impedance | 695Ω @ 24 VDC |
| Overpressure | Proof 30 psi, Burst 35 psi |
| Operating Temperature | -22° to 140°F (-30° to 60°C) |
| Enclosure Rating | NEMA 4X (IP65) |
| Dimensions | 1.1" diameter x 5.8" long (2.7 x 14.7 cm) |
| Materials Of Construction | Stainless steel case |
| Approvals | CE, CSA |
| Weight | 2.6 lb (1.2 kg) maximum |
| Warranty | 1 year |

WIRING

Vented PUR-cable
tensile strength 220 lbs
(110 lbs with FEP-cable)



Legend:

| | | |
|--|---------------------|-----------------------------|
| | power supply | Sig+ output signal positive |
| | load (e.g. display) | UB+ power supply positive |
| | | OV power supply negative |
| | | Sig- output signal negative |

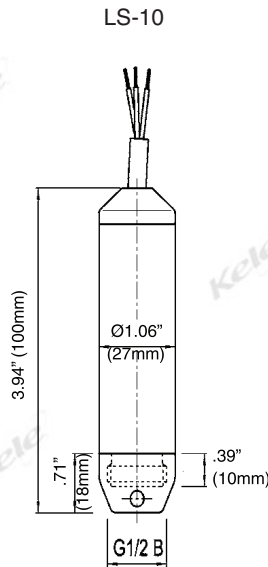
NEW!



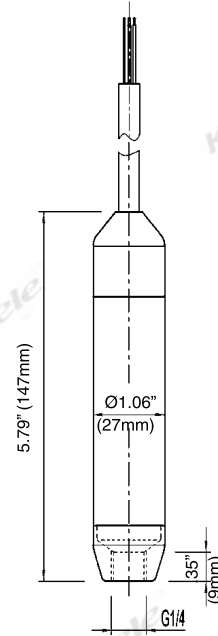
LEVEL & LEAK DETECTION

LEVEL TRANSMITTER LS-10, LH-10 SERIES

DIMENSIONS



LH-10 with FEP-cable



10

LEVEL & LEAK DETECTION

ORDERING INFORMATION

| MODEL | DESCRIPTION |
|------------------------------|--|
| LS-10 | Submersible liquid level transmitter with 40' cable |
| LH-10 | High performance submersible liquid level transmitter with 40' cable |
| PRESSURE RANGE ft (m) | |
| 01* | 0-4.2 (0-1.3) |
| 02 | 0-8.3 (0-2.5) |
| 03 | 0-11.6 (0-3.5) |
| 04** | 0-23.1 (0-7.0) |
| 05 | 0-34.9 (0-10.6) |

LS-10

05

Example: LS-10-05 Submersible liquid level transmitter with 40' cable, 0-34.9 ft range

*Range only available for LH-10 model

** Range only available for LS-10 model

NEW!