

Operating instructions  
Betriebsanleitung  
Mode d'emploi

LS-10, LH-10

Level probe /  
Pegelsonde /  
Sonde de niveau



LS-10



LH-10

2121468:06 GB/D/F 01/2006  
**WIKA Alexander Wiegand GmbH & Co. KG**  
Alexander-Wiegand-Straße 30  
63911 Klingenberg/Germany  
Phone (+49) 93 72/132-295  
Fax (+49) 93 72/132-706  
E-Mail support-tronic@wika.de  
www.wika.de

**WIKA**

Part of your business

1. Important details for your information
2. A quick overview for you
3. Abbreviations, signs and symbols
4. Function and accessories
5. For your safety
6. Packaging
7. Starting, operation
8. Maintenance, spare parts
9. Trouble shooting
10. Storage, disposal

1. Informations importantes
2. Aperçu rapide
3. Explication des symboles,abréviations
4. Fonction et accessoires
5. Pour votre sécurité
6. Emballage
7. Mise en service, exploitation
8. Entretien, Pièces de rechange
9. Elimination de perturbations
10. Stockage, mise au rebus

1. Wichtiges zu Ihrer Information
2. Der schnelle Überblick für Sie
3. Zeichenerklärungen, Abkürzungen
4. Funktion und Zubehör
5. Zu Ihrer Sicherheit
6. Verpackung
7. Inbetriebnahme, Betrieb
8. Wartung, Ersatzteile
9. Störbeseitigung
10. Lagerung, Entsorgung

Current terms and conditions apply.  
Details are available on ...

Es gelten unsere aktuellen Verkaufs- und Lieferbedingungen siehe unter ...

Toute commande est assujettie à nos conditions de ventes et de fournitures dans leur dernière version en vigueur, voir sous ...

... [www.wika.de](http://www.wika.de)

## 1. Important details for your information

Read these operating instructions before installing and starting the pressure transmitter. Keep the operating instructions in a place that is accessible to all users at any time.

The following installation and operating instructions have been compiled by us with great care but it is not feasible to take all possible applications into consideration. These installation and operation instructions should meet the needs of most pressure measurement applications. If questions remain regarding a specific application, you can obtain further information (data sheets, instructions, etc.) via our Internet address ([www.wika.de](http://www.wika.de) / [www.wika.com](http://www.wika.com)) or contact WIKA for additional technical support (see section7 „Starting, Operation“/Further information). With special model number e.g. LS-10000 or LH-11000 please note specifications in the delivery note. The product data sheet is designated as PE 81.09

WIKA pressure transmitters are carefully designed and manufactured using state-of-the-art technology. Every component undergoes strict quality inspection before assembly and each instrument is fully tested prior to shipment.

### Use of the product in accordance with the intended use LS-10, LH-10

Use the level probe for hydrostatic pressure measurement.

**Knowledge required:** Install and start the pressure transmitter only if you are familiar with the relevant regulations and directives of your country and if you have the qualification required. You have to be acquainted with the rules and regulations on measurement and control technology and electric circuits, since this pressure transmitter is „electrical equipment“ as defined by EN 50178. Depending on the operating conditions of your application you have to have the corresponding knowledge, e.g. of aggressive media.

## 2. A quick overview for you

If you want to get a quick overview, read **Chapters 3, 5, 7 and 10**. There you will get some short safety instructions and important information on your product and its starting. **Read these chapters in any case.** Get some more detailed information on this product in Chapters 4 „Function and accessories“ and 6 „Packaging“. Read Chapter 8 for „Maintenance“. In the case of failures please refer to Chapter 9.

### 3. Abbreviations, signs and symbols



Warning

Potential danger of life or of severe injuries.



The product complies with the applicable European directives.



The product was tested and certified by CSA International. It complies with the applicable Canadian standards on safety.



Notice, important information, malfunction.



Power supply



Load (e.g. display)

- 2-wire Two connection lines are intended for the voltage supply.  
The supply current is the measurement signal.
- 3-wire Two connection lines are intended for the voltage supply.  
One connection line is intended for the measurement signal.
- 4-wire Two connection line are intended for the voltage supply.  
Two connection line are intended for the measurement signal.
- UB+/Sig+ Positive supply / measurement connection  
OV/Sig- Negative supply / measurement connection

### 4. Function and accessories

- LS-10:** Submersible pressure transmitter for level measurement, standard version.  
**LH-10:** Submersible pressure transmitter for level measurement, High Performance.

**Function:** With the level probe you measure the hydrostatic pressure of your application, which is trans-formed into an electric signal. This electric signal changes in proportion to the hydrostatic pressure and can be evaluated correspondingly.

**Accessories:** For details about the accessories, please refer to WIKA's price list, WIKA's product catalog on CD or WIKA's web site [www.wika.de](http://www.wika.de).

#### Order-No.

	<p><b>71 93 131</b></p>	<p>The optional filter element for self-mounting avoids the ingress of pollution and water into the venting tube for the pressure compensation to the atmosphere.</p>
	<p><b>24 59 686</b></p>	<p>The optional cable box with weather protection IP 67 with venting element (NEMA 4) is suitable for mounting outside of the shafts and tanks or directly in dry control boxes.</p>
	<p><b>20 74 257</b></p>	<p>For mechanical assembly of the level probe a cable straining clamp is optionally available.</p>
	<p><b>15 24 399</b></p>	<p>In order to increase the weight of the level probe an additional weight (approx. 500 g = 1.1 lb.) can be screwed on.</p>

212.1468.06 GB/D/F 01/2006

212.1468.06 GB/D/F 01/2006

**5. For your safety****Warning**

- Select the appropriate pressure transmitter with regard to scale range, performance and specific measurement conditions prior to installing and starting the instrument.
- Observe the relevant national regulations (e.g.: EN 50178) and observe the applicable standards and directives for special applications.  
**If you do not observe the appropriate regulations, serious injuries and/or damage can occur!**
- Please make sure that the pressure transmitter is only used within the overload threshold limit all the time!
- Observe the ambient and working conditions outlined in section 7 „Technical data“.
- Ensure that the pressure transmitter is only operated in accordance with the provisions i.e. as described in the following instructions.
- Do not interfere with or change the pressure transmitter in any other way than described in these operating instructions.
- Remove the pressure transmitter from service and mark it to prevent it from being used again accidentally, if it becomes damaged or unsafe for operation.
- **Take precautions with regard to remaining media in removed pressure transmitter. Remaining media in the pressure port may be hazardous or toxic!**
- Have repairs performed by the manufacturer only.

Information about material consistency against corrosion and diffusion can be found in our WIKA-Handbook, 'Pressure and Temperature Measurement'.

**6. Packaging**

- Inspect the pressure transmitter for possible damage during transportation. Should there be any obvious damage, inform the transport company and WIKA without delay.
- Keep the packaging, as it offers optimal protection during transportation (e.g. changing installation location, shipment for repair).

**7. Starting, operation****Has everything been supplied?**

- Completely assembled level probe

**Diaphragm test for your safety**

It is necessary that before starting the pressure transmitter you test the diaphragm, as this is a **safety-relevant component**.

**Warning**

- Pay attention to any liquid leaking out, for this points to a diaphragm damage.
- Check the diaphragm visually for any damage.
- Use the pressure transmitter only if the diaphragm is undamaged.
- Use the pressure transmitter only if it is in a faultless condition as far as the safety-relevant features are concerned.

**Installation**

- An additional strain relief is not necessary because the cable has a max. tensile strength of 1000 N (500 N with FEP).
- The protection cap (A) protects the secluded diaphragm (B) from damaging the level probe during transport and immersion. Remove the protection cap if used with viscous or contaminated media.
- There must be no differences in potential between medium/tank and the grounding of the junction box and the control cabinet when the shield of the cable is applied.

**Product label (example)**

<b>WIKAI</b>		LR 11000-1	CE
<b>Transmitter LS - 10</b>			
0 ... 1 bar			
4 ... 20 mA			
DC 10 ... 30 V			
brown + green -			
S # 3433309			
P # 7677147			
WIKAI Alexander Wiegand GmbH & Co. KG 63911 Klingenberg Germany 1M			

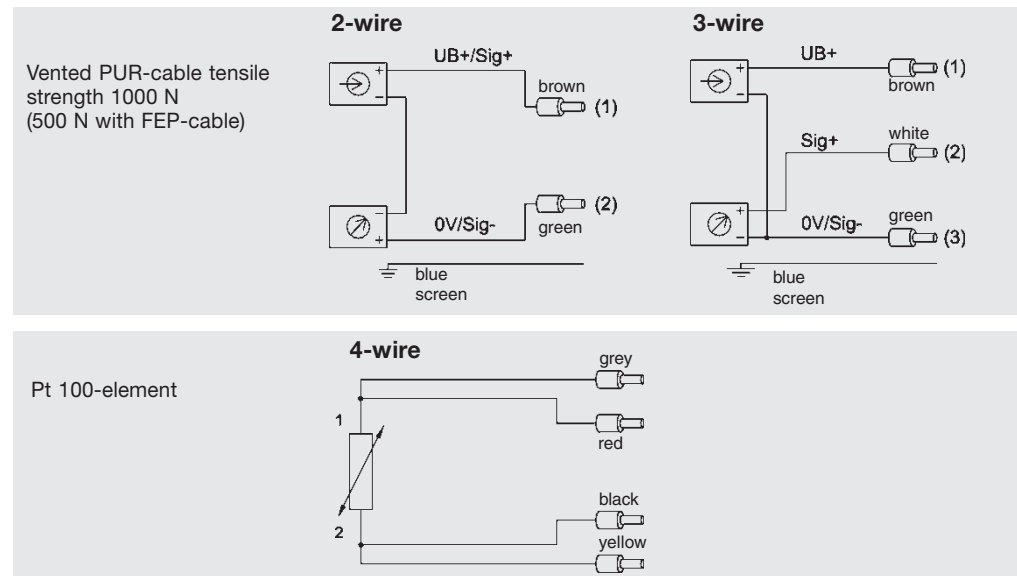
⊕ → : Signal  
 ⊖ → : Power Supply  
 S # : Serial No.  
 P # : Product No.

PIN assignment \_\_\_\_\_  
 Coded manufacture date \_\_\_\_\_

## Wiring

Ingress protection IP 68 per IEC 60529.

Please make sure that the ends of cables with flying leads do not allow any ingress of moisture.



## Specifications

## Model LS-10, LH-10

Pressure ranges > model LS-10 / >{LH-10 with FEP cable}	bar <sup>1)</sup>	0.25	0.4	0.6	1	1.6	2.5	4	6	10				
Over pressure safety	bar <sup>1)</sup>	2	2	4	5	10	10	10	10	10				
Burst pressure	bar <sup>1)</sup>	2.4	2.4	4.8	6	12	12	12	12	12				
Pressure ranges > model LH-10 with PUR cable	bar <sup>1)</sup>	0.1	0.16	0.25	0.4	0.6	1	1.6	2.5	4	6	10	16	25
Over pressure safety	bar <sup>1)</sup>	1	1.5	2	2	4	5	10	10	17	35	35	35	35
Burst pressure	bar <sup>1)</sup>	2	2	2.4	2.4	4.8	6	12	12	20.5	42	42	42	42

<sup>1)</sup> 1 bar = 10.2 mH<sub>2</sub>O

		Model LS-10	Model LH-10
Materials			
■ Wetted parts		Stainless steel	Stainless steel {Hastelloy}
■ Pressure connection/diaphragm		Stainless steel	Stainless steel {Hastelloy}
■ Protection cap		PA	PA {stainless steel} {Hastelloy}
■ Cable		PUR	PUR {FEP}
Power supply U <sub>B</sub>	U <sub>B</sub> in DC V	10 < U <sub>B</sub> ≤ 30	10 < U <sub>B</sub> ≤ 30 (14 ... 30 with signal output 0 ... 10 V) (5 ... 30 with battery operation, signal output 0.5 ... 4.5 V)
Signal output		4 ... 20 mA, 2-wire	4 ... 20 mA, 2-wire 0 ... 20 mA, 3-wire {0 ... 5 V, 3-wire} {0 ... 10 V, 3-wire} {0.5 ... 4.5 V, 3-wire, with battery operation} <sup>2)</sup> {Pt 100, 4-wire; IEC 60751}
		<sup>2)</sup> For pressure ranges ≥ 0 ... 0.25 bar.	
Pt 100 > only model LH-10			
■ I max	mA		3
■ I meas	mA		1

212.1468.06 GB/D/F 01/2006

212.1468.06 GB/D/F 01/2006

Specifications		Model LS-10, LH-10			
Max. load $R_A$	$R_A$ in Ohm				
■ Current signal output	$U_B$ in DC V	$R_A \leq (U_B - 10 \text{ V}) / 0.02 \text{ A} - (0.14 \text{ Ohm} \times \text{cable length in m})$			
■ Voltage signal output		-		$R_A > 100 \text{ kOhm}$	
Dielectric strength	DC V	500 <sup>3)</sup>		500 <sup>3)</sup>	
<sup>3)</sup> NEC Class 02 power supply (low voltage and low current max. 100 VA even under fault conditions)					
Accuracy	% of span	$\leq 0.25$ (BFSL)		$\leq 0.125$ (BFSL)	
	% of span	$\leq 0.5$ <sup>4)</sup>		$\leq 0.25$ <sup>4)</sup>	
<sup>4)</sup> Including non-linearity, hysteresis, non-repeatability, zero point and full scale error (corresponds to error of measurement per IEC 61298-2). Adjusted in vertical mounting position with lower pressure connection.					
Non-linearity	% of span	$\leq 0.2$ (BFSL) according to IEC 61298-2			
1-year stability	% of span	$\leq 0.2$ (at reference conditions)		$\leq 0.2$ (at reference conditions)	
Permissible temperature of	■ Medium <sup>5)</sup>	-10 ... +50 °C	+14 ... +122 °F	-10 ... +50 °C	+14 ... +122 °F
		{-10 ... +85 °C option FEP-cable} {+14 ... +185 °F option FEP-cable}			
■ Storage <sup>5)</sup>		-30 ... +80 °C	-22 ... +176 °F	-30 ... +80 °C	-22 ... +176 °F
	<sup>5)</sup> Also complies with EN 50178, Tab.7, Operation (C)4K4H, Storage (D)1K4, Transport(E) 2K3				
Compensated temp. range		0 ... +50 °C	+32 ... +122 °F	0 ... +50 °C	+32 ... +122 °F
Temperature coefficients within compensated temp range					
■ Mean TC of zero	% of span	$\leq 0.2 / 10 \text{ K}$ (< 0.4 for pressure ranges 0 ... 0.1 and 0 ... 0.16 bar)			
	■ Mean TC of range	% of span	$\leq 0.2 / 10 \text{ K}$		
CE-conformity		89/336/EWG interference emission and immunity see EN 61 326 interference emission limit class A and B			
Wiring protection		Protected against reverse polarity, overvoltage and short circuiting on the instrument side			
		{Lightning protection EN 61000-4-5; 1,2J}			

2121468.06 GB/D/F 01/2006

Specifications		Model LS-10, LH-10		
Mass				
■ Level probe	kg	Approx. 0.18	Approx. 0.20	
■ Cable	kg/m	Approx. 0.08	Approx. 0.08	
■ Additional weight	kg	Approx. 0.50	Approx. 0.50	

{ } Items in curved brackets are optional extras for additional price.

When designing your plant, take into account that the stated values (e.g. burst pressure, over pressure safety) apply depending on the material used.

### Functional test



#### Warning

- Observe the ambient and working conditions outlined in section 7 „Technical data.“
- Observe the overpressure safety of the respective pressure range!



The output signal must be proportional to the pressure. If not, this might point to a damage of the diaphragm. In that case refer to chapter 9 „Troubleshooting“.

### 8. Maintenance, spare parts

WIKA pressure transmitters require no maintenance!



#### Warning

- Take precautions with regard to remaining media in removed pressure transmitters. Remaining media in the pressure port may be hazardous or toxic!
- Remove the pressure transmitter from service and mark it to prevent it from being used again accidentally, if it becomes damaged or unsafe for operation.
- Have repairs performed by the manufacturer only.



Do not insert any pointed or hard objects into the pressure port for cleaning to prevent damage to the diaphragm of the pressure connection.

**Spare parts:** For spare part details refer to our current stock price list, the CD catalog or contact our sales department.

### 9. Trouble shooting

Problem	Possible cause	Remedy
No output	Power supply failure	Check power supply
	Open wiring	Check continuity

2121468.06 GB/D/F 01/2006

Problem	Possible cause	Remedy
No output	Wiring reversed	Correct polarity
	No pressure or port blocked	Check pressure port
	Level probe failure due to wrong supply voltage or power surge	Replace level probe
Output steady as pressure changes	Pressure port blocked	Check pressure port
	Level probe over-pressurized	Replace level probe
	Level probe failure due to wrong supply voltage or power surge	Replace level probe
Full span output low	Supply voltage too low	Check supply voltage
	Load impedance too high or too low	Adjust load or supply voltage
	Level probe over-pressurized	Replace level probe *)
Zero signal too low or too high	Level probe over-pressurized	Replace level probe *)
Non-linear output	Level probe over-pressurized	Replace level probe

\*) Adjusting the controller or display device can usually compensate for small changes or drifts in the output signal. Test the system for proper operation after adjustments are made. An excessive change in the output signal that cannot be corrected by calibration indicates possible transmitter damage. This may cause the output to be non-linear, requiring transmitter replacement.

If the problem persists, contact our sales department.

**USA, Canada:** If the problem continues, contact WIKA or an authorized agent for assistance. If the pressure transmitter must be returned obtain an RMA (return material authorization) number and shipping instructions from the place of purchase. Be sure to include detailed information about the problem. Pressure transmitters received by WIKA without a valid RMA number will not be accepted.

**Process material certificate** (Contamination declaration for returned goods):

Purge / clean dismounted instruments before returning them.

Service of instruments can only take place safely when a contamination declaration has been submitted and fully filled-in. This declaration contains information on **all** materials with which the instrument has come into contact, either through installation, test purposes, or cleaning. You can find a contamination declaration on our internet site ([www.wika.de](http://www.wika.de) / [www.wika.com](http://www.wika.com)).

## 10. Storage, disposal



**Warning**

When storing or disposing of the pressure transmitter, take precautions with regard to remaining media in removed pressure transmitters. Remaining media in the pressure port may be hazardous or toxic!

**Storage**



Mount the protection cap when storing the pressure transmitter in order to prevent any damage to the diaphragm.

**Disposal**



Dispose of instrument components and packaging materials in accordance with the respective waste treatment and disposal regulations of the region or country to which the instrument is supplied.

WIKA reserves the right to alter these technical specifications.

## 1. Wichtiges zu Ihrer Information

Lesen Sie diese Betriebsanleitung vor Montage und Inbetriebnahme des Druckmessgerätes. Bewahren Sie die Betriebsanleitung an einem für alle Benutzer jederzeit zugänglichen Ort auf. Die nachfolgenden Einbau- und Betriebshinweise haben wir mit Sorgfalt zusammengestellt. Es ist jedoch nicht möglich, alle erdenklichen Anwendungsfälle zu berücksichtigen. Sollten Sie Hinweise für Ihre spezielle Aufgabenstellung vermissen, können Sie über unsere Internet-Adresse ([www.wika.de](http://www.wika.de) / [www.wika.com](http://www.wika.com)) weitere Informationen (Datenblätter, Hinweise, etc.) erhalten oder sich mit einem unserer Anwendungsberater in Verbindung setzen (siehe Punkt 7 „Inbetriebnahme, Betrieb“/ Rückfragen). Bei Sondertypennummer, z.B. LS-10000 oder LH-10000, bitte Spezifikation gemäß Lieferschein beachten.

Das zugehörige Produkt-Datenblatt hat die Bezeichnung PE 81.09

Die in der Betriebsanleitung beschriebenen WIKA-Druckmessgeräte werden nach den neuesten Erkenntnissen konstruiert und gefertigt. Alle Komponenten unterliegen während der Fertigung strengen Qualitätskriterien.

### Bestimmungsgemäße Produktverwendung LS-10, LH-10

Verwenden Sie die Pegelsonde zum Messen von hydrostatischen Druck.

#### Ihre erforderlichen Kenntnisse

Montieren und nehmen Sie das Druckmessgerät nur in Betrieb, wenn Sie mit den zutreffenden landesspezifischen Richtlinien vertraut sind und die entsprechende Qualifikation besitzen. Sie müssen mit den Kenntnissen von Mess- und Regeltechnik sowie elektrischen Stromkreisen vertraut sein, da das Druckmessgerät ein „elektrisches Betriebsmittel“ nach EN 50178 ist. Je nach Einsatzbedingung müssen Sie über entsprechendes Wissen verfügen, z. B. über aggressive Medien.

### 2. Der schnelle Überblick für Sie

Wollen Sie sich einen schnellen Überblick verschaffen, lesen Sie **Kapitel 3, 5, 7 und 10**. Dort erhalten Sie kurz Hinweise zu Ihrer Sicherheit und wichtige Informationen über Ihr Produkt und zur Inbetriebnahme. **Lesen Sie diese unbedingt.** Informieren Sie sich detaillierter über dieses Produkt in Kapitel 4 „Funktion und Zubehör“ und 6 „Verpackung“. Lesen Sie Kapitel 8 zum Thema „Wartung“. Bei Auftreten von Störungen lesen Sie bitte im Kapitel 9 weiter.

### 3. Zeichenerklärungen, Abkürzungen



Warnung

Mögliche Gefahr für Ihr Leben oder schwerer Verletzungen.



Das Produkt stimmt mit den zutreffenden europäischen Richtlinien überein.



Hinweis, wichtige Information, Funktionsstörung.



Das Produkt wurde durch CSA International geprüft und zertifiziert. Es stimmt überein mit den anwendbaren kanadischen Normen zur Sicherheit.



Spannungsversorgung



Verbraucher

212.1468.06 GB/D/F 01/2006

2-Leiter	Zwei Anschlussleitungen dienen zur Spannungsversorgung. Der Speisestrom ist das Mess-Signal.
3-Leiter	Zwei Anschlussleitungen dienen zur Spannungsversorgung. Eine Anschlussleitung dient für das Mess-Signal.
4-Leiter	Zwei Anschlussleitungen dienen zur Spannungsversorgung. Zwei Anschlussleitungen dienen für das Mess-Signal.
UB+/Sig+	Positiver Versorgungs- / Messanschluss
OV/Sig-	Negativer Versorgungs- / Messanschluss

### 4. Funktion und Zubehör

**LS-10:** Pegelsonde für allgemeine Füllstands- und Pegelmessungen, Standardausführung.

**LH-10:** Pegelsonde für allgemeine Füllstands- und Pegelmessungen, High Performance

#### Funktion

Mit der Pegelsonde messen Sie den in Ihrer Anwendung anstehenden hydrostatischen Druck, der in ein elektrisches Signal umgewandelt wird. Dieses elektrische Signal verändert sich proportional zum hydrostatischen Druck bzw. Füllstand und kann entsprechend ausgewertet werden.

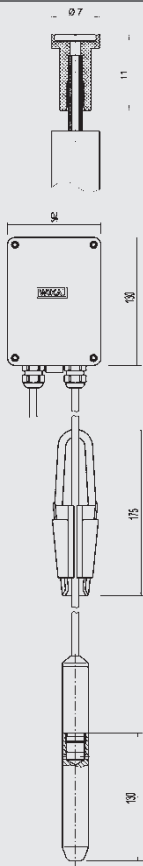
#### Zubehör

Hinweise zu Zubehör entnehmen Sie bitte der WIKA-Preisliste, dem WIKA Product Catalog auf CD-Rom oder unserer Internet-Seite unter [www.wika.de](http://www.wika.de).

212.1468.06 GB/D/F 01/2006



## Bestell-Nr.



**71 93 131** Um Verschmutzung und Wassereintritt in das Kapillarröhrchen für den Druckausgleich zu verhindern bietet WIKA optional ein Filterelement zur Selbstmontage an.

**24 59 686** Die optionale Kabeldose, Schutzart IP 67 mit Belüftungselement wird außerhalb von Schächten und Behältern oder direkt im Schaltschrank in trockener Umgebung montiert.

**20 74 257** Zur mechanischen Befestigung der Sonde bieten wir optional eine Kabelabspannklammer an.

**15 24 399** Zur Erhöhung des Eigengewichtes der Pegelsonde kann ein Zusatzgewicht (ca. 500 g) angeschraubt werden.

2121468.06 GB/D/F 01/2006

2121468.06 GB/D/F 01/2006

## 5. Zu Ihrer Sicherheit



Warnung

- Wählen Sie das richtige Druckmessgerät hinsichtlich Messbereich, Ausführung und spezifischen Messbedingungen vor Montage oder Inbetriebnahme.
- Halten Sie die entsprechenden landesspezifischen Vorschriften ein (z. B.: EN 50178) und beachten Sie bei speziellen Anwendungen die geltenden Normen und Richtlinien.

**Wenn Sie die entsprechenden Vorschriften nicht beachten, können schwere Körperverletzungen und Sachschäden entstehen!**

- Betreiben Sie das Druckmessgerät immer innerhalb des Überlastgrenzbereiches!
- Beachten Sie die Betriebsparameter gemäß Punkt 7 „Technische Daten“.
- Stellen Sie sicher, dass das Druckmessgerät nur bestimmungsgemäß -also wie in der folgenden Anleitung beschrieben- betrieben wird.
- Unterlassen Sie unzulässige Eingriffe und Änderungen am Druckmessgerät, welche nicht in dieser Betriebsanleitung beschrieben sind.
- Setzen Sie das Druckmessgerät außer Betrieb und schützen Sie es gegen versehentliche Inbetriebnahme, wenn Sie Störungen nicht beseitigen können.
- **Ergreifen Sie Vorsichtsmaßnahmen für Messstoffreste in ausgebauten Druckmessgeräten. Messstoffreste können zur Gefährdung von Menschen, Umwelt und Einrichtung führen!**
- Lassen Sie Reparaturen nur vom Hersteller durchführen.

Angaben zu Korrosions- bzw. Diffusionsbeständigkeit der Gerätewerkstoffe entnehmen Sie bitte unserem WIKA-Handbuch zur Druck- und Temperaturmesstechnik.

## 6. Verpackung



- Untersuchen Sie das Druckmessgerät auf eventuell entstandene Transportschäden. Sind offensichtlich Schäden vorhanden, teilen Sie dies dem Transportunternehmen und WIKA unverzüglich mit.
- Bewahren Sie die Verpackung auf, denn diese bietet bei einem Transport einen optimalen Schutz (z. B. wechselnder Einbauort, Reparatursendung).

### 7. Inbetriebnahme, Betrieb

Wurde alles geliefert?



Überprüfen Sie den Lieferumfang: Komplett montierte Pegelsonde

**Membran-Prüfung zu Ihrer Sicherheit:** Es ist erforderlich, dass Sie vor Inbetriebnahme des Druckmessgerätes die Membran prüfen, denn sie ist ein **sicherheitsrelevantes Teil**.



Warnung

- Achten Sie auf auslaufende Flüssigkeit, denn sie ist ein Hinweis auf eine Membranbeschädigung.
- Prüfen Sie die Membran optisch auf Beschädigung.
- Setzen Sie das Druckmessgerät nur ein, wenn die Membran unbeschädigt ist.
- Setzen Sie das Druckmessgerät nur in sicherheitstechnisch einwandfreiem Zustand ein.

Montage



- Das Anschlusskabel weist eine maximale Zugkraft von 1000 N (500 N bei FEP) auf, so dass eine zusätzliche Zugentlastung entfällt!.
- Die Schutzkappe (A) schützt die innenliegende Membrane (B) vor Beschädigung während des Transportes und beim Absenken der Sonde. Entfernen Sie die Schutzkappe, wenn das Messmedium zähflüssig oder verschmutzt ist.
- Es dürfen keine Potentialunterschiede zwischen Medium/Behälter und der Masseanbindung der Anschlussdose bzw. des Schaltschranks herrschen, wenn der Schirm des Kabels mit aufgelegt wird.



Typenschild (Beispiel)

**WIKAL** LR 110606-1   
**Transmitter LS-10**  
 0 ... 1 bar  
 4 ... 20 mA  
 DC 10 ... 30 V brown + green  
 S # 3433309  
 P # 7677147  
 WIKA Alexander Wiegand GmbH & Co.KG 63911 Klingenberg Germany 1M

—○—> : Signal  
 —⊖— : Spannungversorgung  
 S # : Fabrik-Nr.  
 P # : Erzeugnis-Nr.

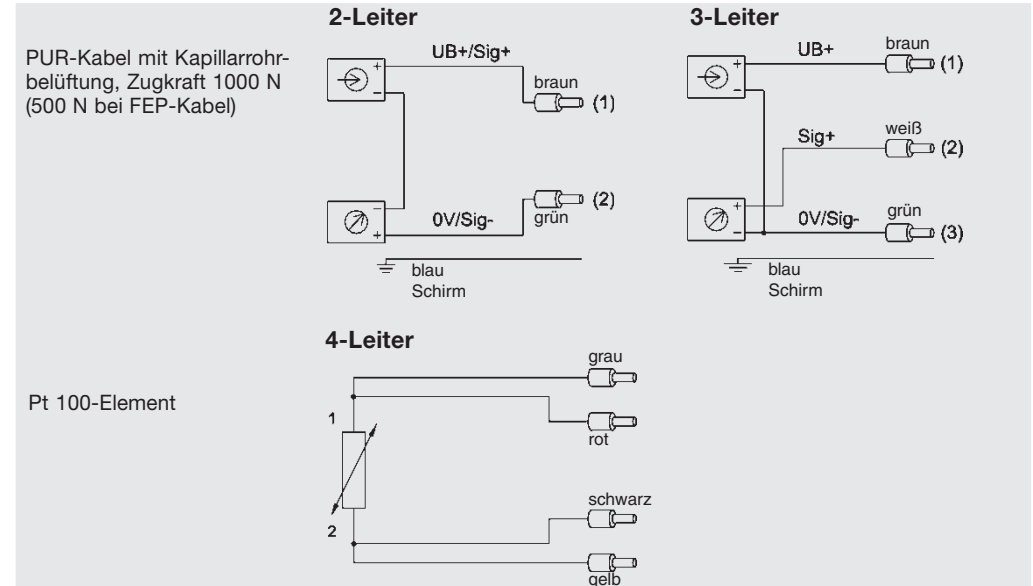
——— : Anschulsbelegung  
 ——— : Codiertes Herstellungsdatum

212.1468.06 GB/D/F 01/2006

### Elektrischer Anschluss

Schutzart IP 68 nach IEC 60 529

Stellen Sie bei Kabelausgängen sicher, dass am Ende des Kabels keine Feuchtigkeit eintritt.



### Technische Daten

### Typ LS-10, LH-10

	bar <sup>1)</sup>	0,25	0,4	0,6	1	1,6	2,5	4	6	10
Messbereich >Typ LS-10 / >{LH-10 mit FEP-Kabel}										
Überlastgrenze	bar <sup>1)</sup>	2	2	4	5	10	10	10	10	10
Berstdruck	bar <sup>1)</sup>	2,4	2,4	4,8	6	12	12	12	12	12

212.1468.06 GB/D/F 01/2006

## 7. Inbetriebnahme, Betrieb D

Technische Daten		Typ LS-10, LH-10												
Messbereich > LH-10 mit PUR- Kabel	bar <sup>1)</sup>	0,1	0,16	0,25	0,4	0,6	1	1,6	2,5	4	6	10	16	25
Überlastgrenze	bar <sup>1)</sup>	1	1,5	2	2	4	5	10	10	17	35	35	35	35
Berstdruck	bar <sup>1)</sup>	2	2	2,4	2,4	4,8	6	12	12	20,5	42	42	42	42
		<sup>1)</sup> 1 bar entspricht 10,2 mWS												

		Typ LS-10	Typ LH-10
Werkstoff			
■ Messstoffberührte Teile		CrNi-Stahl	CrNi-Stahl {Hastelloy}
■ Druckanschluss / Membrane		CrNi-Stahl	CrNi-Stahl {Hastelloy}
■ Schutzkappe		PA	PA {CrNi-Stahl} {Hastelloy}
■ Kabel		PUR	PUR {FEP}
Hilfsenergie U <sub>B</sub>	DC V	10 < U <sub>B</sub> ≤ 30	10 < U <sub>B</sub> ≤ 30 (14 ... 30 bei Ausgang 0 ... 10 V) (5 ... 30 bei Batteriebetrieb, Ausgang 0,5 ... 4,5 V)
Ausgangssignal		4 ... 20 mA, 2-Leiter	4 ... 20 mA, 2-Leiter 0 ... 20 mA, 3-Leiter {0 ... 5 V, 3-Leiter} {0 ... 10 V, 3-Leiter, bei Batteriebetrieb} <sup>2)</sup> {Pt 100, 4-Leiter; IEC 60751}
		<sup>2)</sup> Ab Messbereich 0 ... 0,25 bar	

Pt 100 > nur Typ LH-10			
■ I max	mA		3
■ I mess	mA		1
Zulässige max. Bürde R <sub>A</sub>	R <sub>A</sub> in Ohm		
■ Stromausgang	U <sub>B</sub> in DC V	R <sub>A</sub> ≤ (U <sub>B</sub> - 10 V) / 0,02 A - (0,14 Ohm x Kabel in m)	
■ Spannungsausgang			R <sub>A</sub> > 100 kOhm
Spannungsfestigkeitsprüfung	DC V	500 <sup>3)</sup>	500 <sup>3)</sup>
		<sup>3)</sup> NEC Class 02 Spannungsversorgung (Niederspannung und Niederstrom max. 100 VA auch im Fehlerzustand)	

2121468.06 GB/D/F 01/2006

## 7. Inbetriebnahme, Betrieb D

Technische Daten		Typ LS-10, LH-10	
Genauigkeit	% d. Spanne	≤ 0,25 (BFSL)	≤ 0,125 (BFSL)
	% d. Spanne	≤ 0,5 <sup>4)</sup>	≤ 0,25 <sup>4)</sup>
<sup>4)</sup> Einschließlich Nichtlinearität, Hysterese, Nichtwiederholbarkeit, Nullpunkt- und Endwertabweichung (entspricht Messabweichung nach IEC 61298-2). Kalibriert bei senkrechter Einbaulage Druckanschluss nach unten.			
Nichtlinearität	% d. Spanne	≤ 0,2 (Toleranzbandeinstellung, BFSL) nach IEC 61298-2	
Stabilität pro Jahr	% d. Spanne	≤ 0,2 (bei Referenzbedingungen)   ≤ 0,2 (bei Referenzbedingungen)	
Zulässige Temperaturbereiche	■ Messstoff <sup>5)</sup>	°C	-10 ... +50
		°C	{-10...+85 bei Option FEP-Kabel}
■ Lagerung <sup>5)</sup>		°C	-30 ... +80
	<sup>5)</sup> Erfüllt auch EN 50178, Tab. 7, Betrieb (C) 4K4H, Lagerung (D) 1K4, Transport (E) 2K3		
Kompensierter Temperaturbereich	°C	0 ... +50	0 ... +50
Temperaturkoeffizienten im kompensierten Temperaturbereich			
■ Mittlerer TK des Nullpunktes	% d. Spanne	≤ 0,2 / 10 K (< 0,4 für Messbereiche 0 ... 0,1 und 0 ... 0,16 bar)	
■ Mittlerer TK der Spanne	% d. Spanne	≤ 0,2 / 10 K   ≤ 0,2 / 10 K	
CE- Kennzeichen		89/336/EWG Störemission und Störfestigkeit nach EN 61 326	
		Störemission Grenzwertklasse A und B	
Elektrische Schutzarten		Verpolungs-, Überspannungs- und Kurzschlusschutz geräteseitig {Blitzschutz EN 61000-4-5; 1,2J}	
Masse			
■ Pegelsonde	kg	Ca. 0,18	Ca. 0,20
■ Kabel	kg/m	Ca. 0,08	Ca. 0,08
■ Zusatzgewicht	kg	Ca. 0,50	Ca. 0,50

{ } Angaben in geschweiften Klammern beschreiben gegen Mehrpreis lieferbare Sonderheiten.

2121468.06 GB/D/F 01/2006

Beachten Sie bei der Auslegung Ihrer Anlage, dass die angegebenen Werte (z. B. Berstdruck, Überlastgrenze) in Abhängigkeit vom verwendeten Material gelten.

**Funktionsprüfung**



**Warnung**

- Beachten Sie die Betriebsparameter gemäß Punkt 7 „Technische Daten“.
- Halten Sie die Überlastgrenze des entsprechenden Messbereiches ein!



Das Ausgangssignal muss sich dem anstehenden Druck proportional verhalten. Wenn dies nicht so ist, kann das ein Hinweis auf eine Beschädigung der Membran sein. Lesen Sie in diesem Fall in Kapitel 9 „Störbeseitigung“ nach.

**8. Wartung, Ersatzteile**



**Warnung**

- Ergreifen Sie Vorsichtsmaßnahmen für Messstoffreste in ausgebauten Druckmessgeräten. Messstoffreste können zur Gefährdung von Menschen, Umwelt und Einrichtung führen!
- Setzen Sie das Druckmessgerät außer Betrieb und schützen Sie es gegen versehentliche Inbetriebnahme, wenn Sie Störungen nicht beseitigen können.
- Lassen Sie Reparaturen nur vom Hersteller durchführen.



Verwenden Sie keine spitzen bzw. harten Gegenstände zur Reinigung, denn die Membran des Druckanschlusses darf nicht beschädigt werden.

**Ersatzteile:** Entnehmen Sie bitte Ersatzteilangaben unserer aktuellen Lagerpreisliste, dem CD-Katalog oder setzen Sie sich mit unserem Vertriebsmitarbeiter in Verbindung.

**9. Störbeseitigung**

Störung	Mögliche Ursache	Maßnahme
Kein Ausgangssignal	Keine Versorgungsspannung	Spannungsversorgung überprüfen
	Leitungsbruch	Durchgang überprüfen
	Leitungsverpolung	Polung korrigieren
	Kein Druck oder Druckkanal blockiert	Druckkanal überprüfen
Gleichbleibendes Ausgangssignal bei Druckänderung	Pegelsonde defekt wegen falscher Versorgungsspannung oder Stromstoß	Pegelsonde austauschen
	Druckkanal blockiert	Druckkanal überprüfen
	Mechanische Überbelastung	Pegelsonde austauschen
	Pegelsonde defekt wegen falscher Versorgungsspannung oder Stromstoß	Pegelsonde austauschen

212.1468.06 GB/D/F 01/2006

Störung	Mögliche Ursache	Maßnahme
Signalspannung zu klein	Versorgungsspannung zu niedrig	Versorgungsspannung überprüfen
	Bürde zu hoch oder zu niedrig	Bürde bzw. Versorgungsspannung korrigieren
	Mechanische Überbelastung	Pegelsonde austauschen *)
Nullpunktsignal zu niedrig oder zu hoch	Mechanische Überbelastung	Pegelsonde austauschen *)
Signalkennlinie unlinear	Mechanische Überbelastung	Pegelsonde austauschen

\*) Versuchen Sie durch eine Justage des Reglers oder des Anzeigegeäts kleine Änderungen oder Verschiebungen des Ausgangssignals auszugleichen. Überprüfen Sie nach dem Justieren die korrekte Arbeitsweise des Systems. Eine extreme Änderung des Ausgangssignals, die durch eine Kalibrierung nicht korrigiert werden kann, deutet auf eine mögliche Beschädigung des Messumformers hin. Diese könnte die Ursache für ein unlineares Ausgangssignal sein und den Austausch der Pegelsonde erforderlich machen.

Wenn das Problem bestehen bleibt, setzen Sie sich mit unserem Vertriebsmitarbeiter in Verbindung.

**Prozess Material Zertifikat** (Kontaminationserklärung im Servicefall)

Spülen bzw. säubern Sie ausgebaute Geräte vor der Rücksendung.

Eine Überprüfung ausgefallener Geräte kann nur sicher erfolgen, wenn die vollständig ausgefüllte Kontaminationserklärung vorliegt. Eine solche Erklärung beinhaltet **alle** Materialien, welche mit dem Gerät in Berührung kamen, auch solche, die zu Testzwecken, zum Betrieb oder zur Reinigung eingesetzt wurden. Die Kontaminationserklärung ist über unsere Internet-Adresse ([www.wika.de](http://www.wika.de) / [www.wika.com](http://www.wika.com)) verfügbar.

**10. Lagerung, Entsorgung**



**Warnung Lagerung**

Ergreifen Sie bei Lagerung Entsorgung Vorsichtsmaßnahmen für Messstoffreste in ausgebauten Druckmessgeräten. Messstoffreste können zur Gefährdung von Menschen, Umwelt und Einrichtung führen!



Montieren Sie die Schutzkappe bei Lagerung des Druckmessgerätes, damit die Membran nicht beschädigt wird.

**Entsorgung**



Entsorgen Sie Gerätekomponenten und Verpackungsmaterialien entsprechend den einschlägigen landesspezifischen Abfallbehandlungs- und Entsorgungsvorschriften des Anliefergebietes.

Technische Änderungen vorbehalten.

212.1468.06 GB/D/F 01/2006

## 1. Informations importantes

Veillez lire ce mode d'emploi avant le montage et la mise en service de transmetteur de pression. Conservez ce mode d'emploi dans un endroit accessible en tout temps pour tous les utilisateurs.

Les instructions de montage et de service présentées ci-après ont été établi avec grand soin. Il reste toutefois impossible d'envisager tous les cas d'applications possibles. Dans le cas où vous constateriez des lacunes dans ces instructions pour les tâches spéciales qu'il vous faut exécuter, vous avez la possibilité de recevoir des compléments d'informations (fiches de caractéristiques, remarques etc.) sous notre adresse internet ([www.wika.de](http://www.wika.de) / [www.wika.com](http://www.wika.com)) ou par contact direct avec notre conseiller applications (voir chapitre 7 „Mise en service, exploitation“/ En cas de problèmes).

Pour les modèles avec numéros spéciaux comme par exemple LS-10000 ou LH-10000, veuillez prendre en considération les spécifications selon le bordereau de livraison.

La fiche technique de ce produit a la désignation PE 81.09

La conception et la fabrication des transmetteurs de mesure WIKA, tels que décrits dans les instructions de service, satisfont aux toutes dernières règles de l'art. Tous les composants sont soumis en cours de fabrication à un contrôle stricte des critères de qualité.

### Définition conforme d'utilisation du produit LS-10, LH-10

Utilisez le sonde de niveau pour la mesure de pression.

### Vos connaissances nécessaires

N'installez et ne mettez en service le transmetteur de pression que si vous avez les connaissances exactes des directives spécifiques nationales et si vous êtes en possession de la qualification en rapport. Vous devez posséder des connaissances des prescriptions pour la technique de mesure et régulation et des circuits électriques étant donné que le transmetteur de pression est un équipement électrique selon EN 50178. Suivant les conditions d'utilisation vous devez disposer de connaissances parti-culières, par exemple sur les fluides agressifs.

## 2. Aperçu rapide

Si vous voulez vous procurer un résumé rapide, veuillez lire les **chapitres 3, 5, 7 et 10**. Là vous trouverez des indications concernant votre sécurité et des informations importantes sur votre produit et sa mise en service. **Veillez absolument en prendre connaissance.**

Informez-vous en détail sur ce produit dans le chapitre 4 “fonctions et accessoires” et 6 “emballage”. Lisez le chapitre 8 à propos de “l'entretien”. A l'apparition de dérangements veuillez lire le chapitre 9.

## 3. Explication des symboles, abréviations



Avertissement

Risque de danger de mort ou de blessures graves.



Ce produit est conforme aux directives européennes correspondantes.



Remarques, informations importantes, dérangement de fonction.



Ce produit a été contrôlé et certifié par “CSA International”. Il est en accord avec les normes utilisables au Canada sur la sécurité.



Récepteur



Alimentation

- 2-fils      Deux conducteurs servent à l'alimentation.  
Le courant de l'alimentation est le signal de mesure.
- 3-fils      Deux conducteurs servent à l'alimentation.  
Un conducteur sert au signal de mesure.
- 4-fils      Deux conducteurs servent à l'alimentation.  
Deux conducteurs servent au signal de mesure.
- UB+/Sig+    Alimentation positive / raccord mesure
- OV-/Sig-    Alimentation négative / raccord mesure

#### 4. Fonction et accessoires

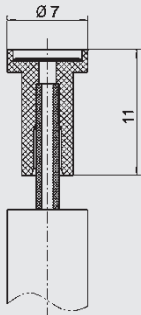
- LS-10:** Sonde de niveau, version standard  
**LH-10:** Sonde de niveau, Haute performance

#### Fonction

Ces sondes de niveau sert à mesurer la pression présente dans votre application, celle-ci est transformée en un signal électrique. Ce signal électrique varie proportionnellement par rapport à la pression et peut être exploité en rapport.

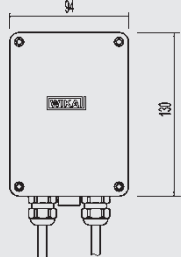
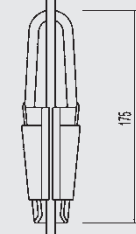
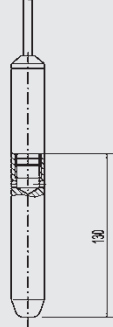
#### Accessoires

Les renseignements concernant les accessoires figurent dans le tarif WIKA, le "Product Catalog" en CD-Rom ou sur notre site internet sous [www.wika.de](http://www.wika.de)

Numéro de commande	
	<p><b>71 93 131</b> Pour des utilisations dans des zones sales ou d'entrées d'eau, WIKA recommande de monter un Filtre sur l'extrémité du cathéter à travers un tuyau de serrage.</p>

212.1468.06 GB/D/F 01/2006

#### Numéro de commande

	<p><b>24 59 686</b> Le Boîtier terminal optionnel IP 67 avec élément de ventilation devra être monté dans l'armoire technique ou dans toute autre zone sèche.</p>
	<p><b>20 74 257</b> Pour la fixation mécanique de la sonde, nous vous recommandons: La pince de fixation.</p>
	<p><b>15 24 399</b> Pour augmenter le poids de la sonde (environ 500 g), il suffit de visser un lest supplémentaire sur l'extrémité de la sonde.</p>

212.1468.06 GB/D/F 01/2006

## 5. Pour votre sécurité



Avertissement

- Choisissez le transmetteur de pression adéquat, avant le montage et la mise en service, en rapport à l'étendue de mesure, l'exécution et les conditions de mesure spécifiques.
- Respectez les prescriptions de sécurité nationales (comme par exemple : EN 50178) et observez lors d'applications spéciales les normes et règlements en rigueur.

**Si vous ne respectez pas les prescriptions correspondantes, de graves lésions corporelles et dégâts matériels peuvent en résulter!**

- N'utilisez le transmetteur de pression qu'à l'intérieur de la zone limite!
- Prenez en considération les paramètres de service selon le chapitre 7 „Caractéristiques techniques”.
- Assurez-vous que le transmetteur de pression ne soit utilisé qu'en accord avec le règlement, c'est-à-dire comme décrit dans la directive suivante.
- Abstenez-vous d'effectuer des empiétements et changements inadmissibles sur le transmetteur de pression n'étant pas décrits dans le mode d'emploi.
- Si vous ne pouvez pas éliminer des dérangements sur le transmetteur de pression, mettez celui-ci hors service et protégez le contre une remise en service par inadvertance.
- **Prenez des mesures de sécurité pour les restes de fluides se trouvant dans les transmetteurs de pression démontés. Ces restes de fluides peuvent mettre en danger les personnes, l'environnement ainsi que l'installation !**
- Ne faites effectuer les réparations que par le fabricant.

Les données relatives à la résistance à la corrosion et diffusion des instruments se trouvent dans le manuel WIKA sur la mesure des pressions et des températures.

## 6. Emballage



- Examinez le transmetteur de pression en vue de dommages éventuels résultant du transport. Si des dommages sont évidents, veuillez en informer immédiatement l'entreprise de transport et WIKA.
- Conservez l'emballage, celui-ci offre lors d'un transport une protection optimale (par exemple changement du lieu d'utilisation, renvoi pour réparation).

2121468.06 GB/D/F 01/2006

2121468.06 GB/D/F 01/2006

## 7. Mise en service, exploitation

### Est-ce que la livraison est complète ?



Contrôlez le volume de la livraison: Transmetteurs de pression complets

### Pour votre sécurité contrôler la membrane

Il est nécessaire que, avant la mise en service de transmetteur de pression, vous contrôlez la membrane, car celle-ci est une **pièce élémentaire de sécurité**.



Avertissement

- Surveillez les fuites de liquide, celles-ci pouvant indiquer une membrane endommagée.
- Contrôlez visuellement si la membrane est endommagée.
- N'utilisez le transmetteur de pression que si la membrane est intacte.
- Utilisez le transmetteur de pression uniquement s'il est dans un état parfait quant à la sécurité technique.

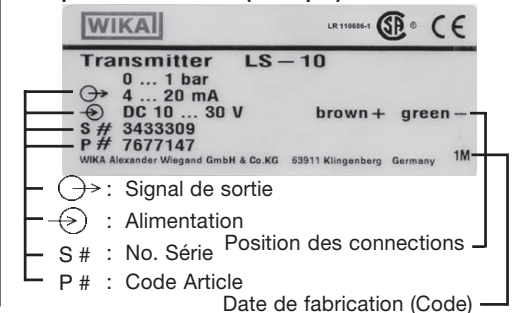
### Montage



- Aucun autre dispositif ne sera nécessaire sachant que la force de rupture du câble se situe autour de 1000N (500 N avec FEP).
- Le bouchon de protection (A) est vissé à l'extrémité de la sonde afin d'en protéger la membrane (B) lors du transport et l'immersion. Il est recommandé de l'enlever dans les liquides visqueux ou contaminés.
- Si le blindage du câble est utilisé, il ne doit pas exister une différence de potentiel entre le fluide/récipient et la liaison à la terre de la fiche de branchement ou de l'armoire électrique.



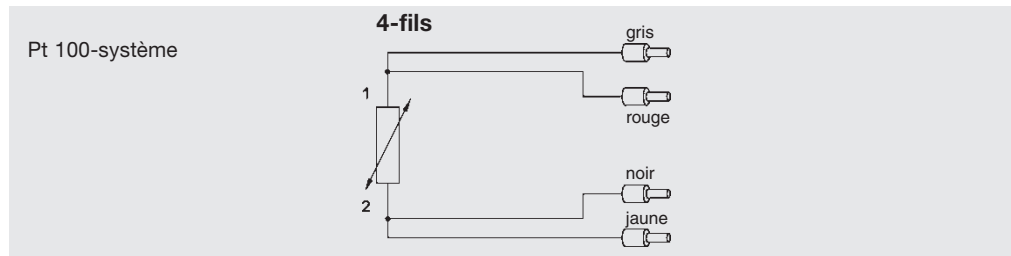
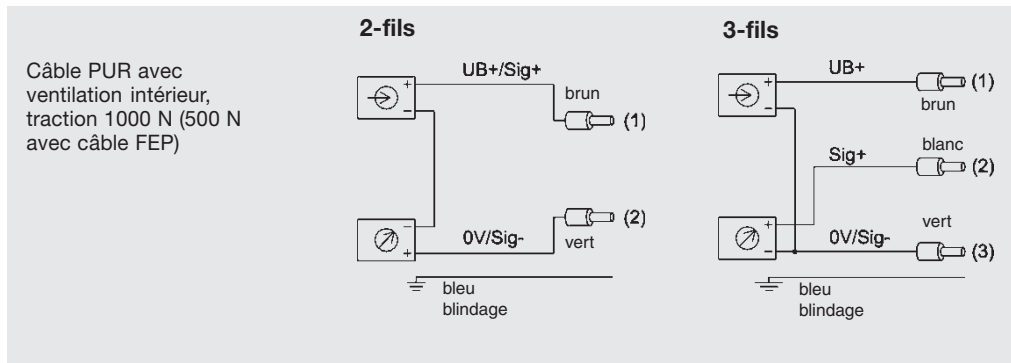
### Plaque de fabrication (exemple)



**Branchement électrique**

Protection IP 68 selon IEC 60 529.

En cas d'utilisation de sorties par câble, veuillez vous assurer qu'aucune humidité ne puisse entrer à la sortie du câble.

**Données techniques****Type LS-10, LH-10**

Etendue de mesure > Type LS-10 / >{LH-10 avec câble FEP}	bar <sup>1)</sup>	0,25	0,4	0,6	1	1,6	2,5	4	6	10				
Limites de surcharge	bar <sup>1)</sup>	2	2	4	5	10	10	10	10	10				
Pression de destruction	bar <sup>1)</sup>	2,4	2,4	4,8	6	12	12	12	12	12				
Etendue de mesure > Type LH-10 avec câble PUR	bar <sup>1)</sup>	0,1	0,16	0,25	0,4	0,6	1	1,6	2,5	4	6	10	16	25
Limites de surcharge	bar <sup>1)</sup>	1	1,5	2	2	4	5	10	10	17	35	35	35	35
Pression de destruction	bar <sup>1)</sup>	2	2	2,4	2,4	4,8	6	12	12	20,5	42	42	42	42

<sup>1)</sup> 1 bar = 10,2 mWS

		Type LS-10	Type LH-10
Matériaux			
■ Parties en contact avec le fluide		Acier inox	Acier inox {Hastelloy}
■ Raccord de pression / Membrane		Acier inox	Acier inox {Hastelloy}
■ Capuchon		PA	PA {Acier inox} {Hastelloy}
■ Câble		PUR	PUR {FEP}
Alimentation U <sub>B</sub>	U <sub>B</sub> en DC V	10 < U <sub>B</sub> ≤ 30	10 < U <sub>B</sub> ≤ 30 (14 ... 30 avec sortie 0 ... 10 V) (5 ... 30 sur batterie, sortie 0,5 ... 4,5 V)
Signal de sortie		4 ... 20 mA, 2 fils	4 ... 20 mA, 2 fils 0 ... 20 mA, 3 fils {0 ... 5 V, 3 fils} {0 ... 10 V, 3 fils} {0,5 ... 4,5 V, 3 fils, avec batterie} <sup>2)</sup> {Pt 100, 4 fils; IEC 60751}
			<sup>2)</sup> Pour l'étendue de mesure ≥ 0 ... 0,25 bar
Pt 100 > uniquement Type LH-10			
■ I <sub>maxi</sub>	mA		3
■ I <sub>mesure</sub>	mA		1
Résistance charge max autorisée R <sub>A</sub>	R <sub>A</sub> en Ohm		

212.1468.06 GB/D/F 01/2006

212.1468.06 GB/D/F 01/2006



## 7. Mise en service, exploitation

F

Données techniques		Type LS-10, LH-10	
■ Courant sortie maxi.	U <sub>B</sub> en Volt	$R_A \leq (U_B - 10 \text{ V}) / 0,02 \text{ A} - (0,14 \text{ Ohm} \times \text{longueur du câble en m})$	
■ Tension sortie maxi.		-	$R_A > 100 \text{ kOhm}$
Rigidité diélectrique	DC V	500 <sup>3)</sup>	500 <sup>3)</sup>
		3) Tension d'alimentation selon NEC Class 02 (basse tension et courant maxi 100 VA également en situation d'erreur)	
Précision <sup>4)</sup>	% du gain	≤ 0,25 (BFSL)	≤ 0,125 (BFSL)
	% du gain	≤ 0,5 <sup>4)</sup>	≤ 0,25 <sup>4)</sup>
		4) Inclusif non-linéarité, hystérésis, non-répétabilité, zéro et déviation de l'étendue de mesure (correspond à l'erreur de mesure selon IEC 61298-2). Calibré en position verticale, raccord de pression vers le bas.	
Non-linéarité	du gain	≤ 0,2 (Réglage de la plage de tolérance, BFSL)selon IEC 61298-2	
Stabilité sur un an	du gain	≤ 0,2	≤ 0,2
		(pour les conditions de référence)	(pour les conditions de référence)
Température autorisée			
■ Du fluide <sup>5)</sup>	°C	-10 ... +50	-10 ... +50
	°C		{-10 ... +85 câble FEP en option}
■ De stockage <sup>5)</sup>	°C	-30 ... +80	-30 ... +80
		5) Accomplit également EN 50178, tableau 7, utilisation (C) 4K4H, stockage (D) 1K4, transport (E) 2K3	
Plage compensée	°C	0 ... +50	0 ... +50
Coefficient de température sur plage compensée			
■ Coef. de temp. moy. du point 0	du gain /10K	≤ 0,2 (< 0,4 pour étendue de mesure 0 ... 0,1 et 0 ... 0,16 bar)	
■ Coef. de temp. moy.	du gain /10K	≤ 0,2	≤ 0,2
Conformité -CE		89/336/EWG Emission de perturbations et résistance aux perturbations selon EN 61 326 Classe de valeur pour limite d'émission d'interférences A et B	
Protection électrique		La protection court-circuits, fausse polarité et surtensions se trouve dans l'appareil	
			{Protection anti-foudre EN 61000-4-5; 1,2J}

212.1468.06 GB/D/F 01/2006

## 7. Mise en service, exploitation / 8. Entretien, Pièces de rechange

F

Données techniques		Type LS-10, LH-10	
Poids	■ Sonde	kg	Environ 0,18
	■ Câble	kg/m	Environ 0,08
	■ Lest	kg	Environ 0,50
			Environ 0,20
			Environ 0,08
			Environ 0,50

{ } Les données entre accolades précisent les options disponibles contre supplément de prix.

Veillez prendre en considération lors de la conception de votre installation, que les valeurs indiquées (par exemple pression d'éclatement, limite de surcharge) dépendent de la matière utilisée.

### Vérification du fonctionnement



**Avertissement**

- **N'ouvrez les raccords que hors pression!**
- Prenez en considération les paramètres de service selon le chapitre 7 "Caractéristiques techniques".
- Respectez la limite de surcharge de l'étendue de mesure correspondante!



Le signal de sortie doit se comporter proportionnellement à la pression présente. Si ce n'est pas le cas, ceci peut être une indication que la membrane est endommagée. Dans ce cas veuillez lire "élimination de perturbations" dans le chapitre 9.

### 8. Entretien, Pièces de rechange

Les transmetteurs WIKA ne demandent aucune maintenance!



**Avertissement**

- Prenez des mesures de sécurité pour les restes de fluides se trouvant dans les transmetteurs de pression démontés. Ces restes de fluides peuvent mettre en danger les personnes, l'environnement ainsi que l'installation !
- Si vous ne pouvez pas éliminer des dérangements sur le transmetteur de pression, mettez celui-ci hors service et protégez le contre une remise en service par inadvertance.
- Ne faites effectuer les réparations que par le fabricant.

212.1468.06 GB/D/F 01/2006



N'utilisez aucun objet pointu ou dur pour le nettoyage, car la membrane du raccord pression ne doit en aucun cas être endommagée.

### Pièces de rechange

Les indications pour les pièces de rechange se trouvent dans le tarif de stock actuel, le catalogue CD ou veuillez prendre contact avec notre département commercial.

## 9. Elimination de perturbations

Perturbation	Cause possible	Remède
Pas de signal de sortie	Pas d'alimentation	Contrôler la tension de l'alimentation
	Rupture de conducteur	Contrôler la conduction
	Conducteurs inversés	Corriger la polarisation
	Pas de pression ou canal pression	Contrôler le canal pression
Signal de sortie constant malgré variations de pression	Sonde de niveau endommagé par alimentation ou impulsion de courant	Remplacer la sonde de niveau
	Canal pression bouché	Contrôler le canal pression
Signal de sortie trop faible	Surcharge mécanique	Remplacer la sonde de niveau
	Transmetteur endommagé par fausse alimentation ou impulsion de courant	Remplacer la sonde de niveau
	Tension d'alimentation trop basse	Contrôler la tension d'alimentation
Zéro du signal trop faible ou trop élevé	Charge trop élevée ou trop basse	Corriger la charge ou la d'alimentation
	Surcharge mécanique	Remplacer la sonde de niveau *)
	Surcharge mécanique	Remplacer la sonde de niveau *)
Courbe du signal non-linéaire	Surcharge mécanique	Remplacer la sonde de niveau

\*) Après les réglages veuillez contrôler le fonctionnement correct du système.

Un changement extrême du signal de sortie qui ne peut pas être corrigé par une recalibration, indique une détérioration possible du transducteur de mesure. Ceci peut être la cause d'un signal de sortie non-linéaire et nécessiter le remplacement du transducteur de mesure.

Si un problème reste présent, veuillez prendre contact avec notre département commercial.

**Certificat de matière de processus** (déclaration de contamination en cas de réparation)  
Veuillez laver ou nettoyer les appareils démontés avant de les renvoyer.

Un contrôle des appareils en panne ne peut être effectué de façon sûre que si la déclaration de contamination est complète. Cette déclaration comporte toutes les matières ayant été en contact avec l'appareil, également celles ayant été utilisées lors d'essais, en service ou lors du nettoyage. La déclaration de contamination peut être déchargée de notre adresse Internet ([www.wika.de](http://www.wika.de) / [www.wika.com](http://www.wika.com))

## 10. Stockage, mise au rebut



**Avertissement**

Veuillez prendre les précautions de sécurité pour la mise au rebut ou pour le stockage de fluides se trouvant dans les transmetteurs de pression démontés. Ces restes de fluides peuvent mettre en danger les personnes, l'environnement ainsi que l'installation !

### Stockage



Remontez le capuchon de protection lors du stockage de l'appareil afin d'éviter que la membrane ne soit endommagée.

### Mise au rebut



Mettez les composants des appareils et les emballages au rebut en respectant les prescriptions nationales pour le traitement et la mise au rebut des régions de livraison.

WIKA se réserve le droit de modifier les présentes spécifications.

# WIKA Global

<b>Argentina</b>	WIKA Argentina S.A. Tel.: (+54) 11/47 30 18 00 E-Mail: info@wika.com.ar	<b>Korea</b>	WIKA Korea Ltd. Tel.: (+82) 2/8 69 05 05 E-Mail: info@wika.co.kr
<b>Australia</b>	WIKA Australia Pty. Ltd. Tel.: (+61) 2-88 45 52 22 E-Mail: sales@wika.com.au	<b>Malaysia</b>	WIKA Instrumentation (M) Sdn. Bhd. Tel. (+603) 56 36/88 58 E-Mail: info@wika.com.my
<b>Austria</b>	WIKA-Messgerätevertrieb Ursula Wiegand GmbH & Co. KG Tel.: (+43) 1/8 69 16 31 E-Mail: info@wika.at	<b>Poland</b>	Kujawska Fabryka Manometrow KFM S.A. Tel.: (+48) 54 23 13 84 1 E-Mail: gawel@manometry.com.pl
<b>Benelux Netherlands</b>	WIKA Benelux Tel.: (+31) 4 75/53 55 00 E-Mail: info@wika.nl	<b>Russia</b>	ZAO „WIKI MERA“ Tel.: (+7) 095 - 786 21 25 E-Mail: info@wika.ru
<b>Brazil</b>	WIKA do Brasil Industria e Comercio Ltda Tel.: (+55) 15-32 66 16 55 E-Mail: vendas@wika.com.br	<b>Serbia and Montenegro</b>	WIKA Merna Tehnika d.o.o. Tel.: (+381) 11 2763 722 E-Mail: info@wika.co.yu
<b>Canada</b>	WIKA Instruments Ltd. Tel.: (+1) 780/463-7035 E-Mail: info@wika.ca	<b>Singapore</b>	WIKA Instrumentation PTE. LTD. Tel.: (+65) 68 44 55 06 info@wika.com.sg
<b>China</b>	WIKA Alexander Wiegand GmbH Co. KG Shanghai Representative Office Tel.: (+86) 21 53 85 25 72 E-Mail: wikash@online.sh.cn	<b>South Africa</b>	WIKA Instruments (Pty.) Ltd. Tel.: (+27) 11/6 21 00 00 E-Mail: sales@wika.co.za
<b>Finland</b>	WIKA Finland Oy Tel.: (+358) 9/6 82 49 20 E-Mail: wika@wika.fi	<b>Spain</b>	Instrumentos WIKI S.A. Tel.: (+34) 902 902 577 E-Mail: info@wika.es
<b>France</b>	WIKA Instruments s.a.r.l. Tel.: (+33) 1/34 30 84 84 E-Mail: info@wika.fr	<b>Switzerland</b>	Manometer AG Tel.: (+41) 41/9 19 72 72 E-Mail: info@manometer.ch
<b>Germany</b>	WIKA Alexander Wiegand GmbH Co. KG Tel.: (+49) 93 72/13 20 E-Mail: info@wika.de	<b>Taiwan</b>	WIKA Instrumentation Taiwan Ltd. Tel.: (+886) 34 20 60 52 E-Mail: info@wika.com.tw
<b>India</b>	WIKA Instruments India Pvt. Ltd. Tel.: (+91) 20/ 27 05 29 01 E-Mail: sales@wika.co.in	<b>Ukraine</b>	WIKI Pribor GmbH Tel./Fax.: +38 (0622) 63-14-52 e-mail: info@wika.donetsk.ua
<b>Italy</b>	WIKI Italiana S.r.l. Tel.: (+39) 02/9 39 70 01 E-Mail: info@wika.it	<b>United Arab Emirates</b>	WIKI Middle East FZE Tel.: (+971) 4/883 90 90 E-Mail: wikame@emirates.net.ae
<b>Japan</b>	WIKI JAPAN K. K. Tel.: (+81) 3/54 39-66 73 E-Mail: t-shimane@wika.co.jp	<b>United Kingdom</b>	WIKI Instruments Limited Tel.: (+44) 1737 644 008 E-Mail: info@wika.co.uk
<b>Kazakhstan</b>	TOO WIKI Kazakhstan Tel.: (+7) 32 72/33 08 48 E-Mail: wika-kazakhstan@nursat.kz	<b>U.S.A.</b>	WIKI Instrument Corporation Tel.: (+1) 770 / 5 13 82 00 E-Mail: info@wika.com

[www.wika.de](http://www.wika.de)