

# L007 SERIES

**COMPACT, SIDE-MOUNT SWITCHES**  
IDEAL FOR SMALL TANKS WITH LIMITED SPACE

## DESCRIPTION

The compact L007/L007TT is a low-cost, side-mounted level switch that can be mounted internally or externally. Its leak-resistant construction ensures a safe installation into any size tank and the all stainless steel model is capable of withstanding both high temperatures and high pressures. The L007 can also be easily converted from normally-open to normally-closed operation by simply rotating the switch. Depending on the mounting position, the switch will either rise or lower with the liquid level inside the tank.

## PRINCIPLE OF OPERATION

A hermetically-sealed reed switch is actuated by an internal magnet within the hinged float. As the float moves toward or away from the stem, the magnetic field passes the switch encapsulated within the stem and causes the contact to either open or close.



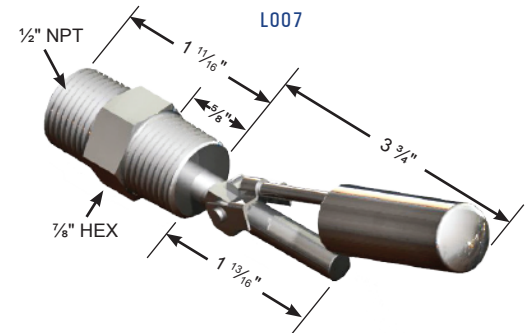
## KEY FEATURES

- Leak-Resistant Construction
- Single-Stage Horizontally-Mounted
- Broad Media Capability
- Side-Wall Mounting: Internal or External
- Interchangeable NO or NC Operation By Float Rotation 180°
- SPST 50 VA Switch (Standard)

## APPLICATIONS

- Chemical Storage
- Condensation Vessels
- Beverage Dispensing Systems
- Storage Tanks
- HVAC Equipment & Chillers

## DIMENSIONS



## SPECIFICATIONS

\*SG refers to the recommended minimum liquid specific gravity.

SERIES	MOUNT	STEM/FLOAT	SG*	TEMPERATURE	PRESSURE
L007	1/2" NPT	PVDF	0.85	-40° to +176° F (-40° to +80° C)	100 PSIG (6.9 bar)
L007	1/2" NPT	Polypropylene	0.80	-40° to +150° F (-40° to +65.6° C)	100 PSIG (6.9 bar)
L007	1/2" NPT	PVC	0.80	-40° to +140° F (-40° to +60° C)	100 PSIG (6.9 bar)
L007	1/2" NPT	Stainless Steel	0.80	-40° to +300° F (-40° to +148.9° C)	300 PSIG (20.7 bar)
L007	3/8" - 24	Stainless Steel	0.80	-40° to +300° F (-40° to +148.9° C)	300 PSIG (20.7 bar)
L007	1/2" NPT	Polysulfone	0.70	-40° to +300° F (-40° to +148.9° C)	100 PSIG (6.9 bar)
L007	1/2" NPT	Nylon	0.80	-40° to +150° F (-40° to +65.6° C)	100 PSIG (6.9 bar)
L007	5/8" - 11	Polypropylene	0.80	-40° to +150° F (-40° to +65.6° C)	100 PSIG (6.9 bar)
L007	5/8" - 11	Polysulfone	0.70	-40° to +300° F (-40° to +148.9° C)	100 PSIG (6.9 bar)
L007TT "Teeter-Totter"	1/2" NPT	Polypropylene	0.80	-40° to +150° F (-40° to +65.6° C)	100 PSIG (6.9 bar)
L007TT "Teeter-Totter"	5/8" - 11	Polypropylene	0.80	-40° to +150° F (-40° to +65.6° C)	100 PSIG (6.9 bar)



**SOLUTIONS WITH INNOVATION**  
AN INNOVATIVE SENSING COMPANY

