



AquaSwitch

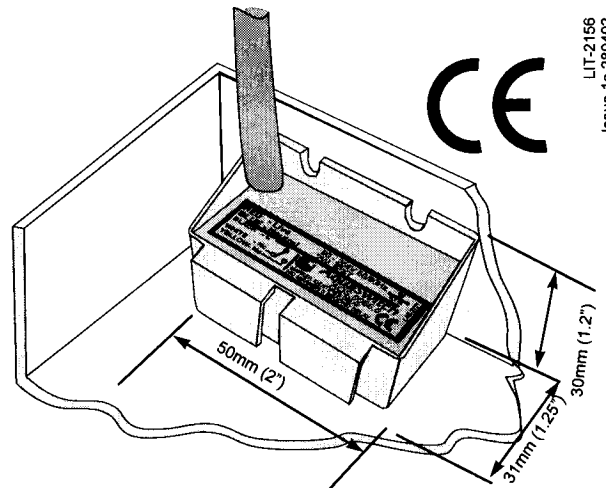
Installation Instructions



LIT-2156
Issue 1a 280402

Description

The AquaSwitch is a rising water liquid level detector. Its solid state electronic sensing is not effected by oil film, metal trays, nor by slightly off the vertical mounting position. The small footprint (4 x 5 cm) and the low switching level means that the AquaSwitch may be mounted in the smallest of reservoirs. The in-built isolated relay switches loads up to 1250VA. This allows the user to select the AquaSwitch to directly switch pumps and solenoids or interface into other control circuits. The in-built Delay to Off timer may be used to allow water being drained or pumped to be fully vacated or just to prevent nuisance switching.



Safety first

Disconnect ALL power supplies before starting installation or maintenance work. The interconnecting conductors and connections are to be confined within the host equipment. All wiring and connections are for internal installation only.

This product must be installed only by competent engineers. There are no user serviceable parts in this control. Do not use if damaged in any way. Check the label to ensure this product is the correct voltage.

SPECIFICATION

Power Supply	Model:AQS.0066.0	Model:AQS.0066.1
Switching capacity	90 - 254 V 50/60Hz 2W	24V AC/DC ± 20% 2W
Protection	5A 250V AC, 1250VA	
Operating Temperature	IPX7	
	Air 0 - 70°C (32 to 158°F)	
	Water 0 - 50°C (32 to 122°F)	
Switch On/ Off Level	ON: 10mm(0.4") typical,	
	6mm (0.24") min, 14mm (0.55") max	
Hysteresis	2mm (0.08")	
Delay on level fall:	3 SECONDS AS STANDARD	
	MARKER ON CABLE DENOTES ANY OTHER TIME DELAY	

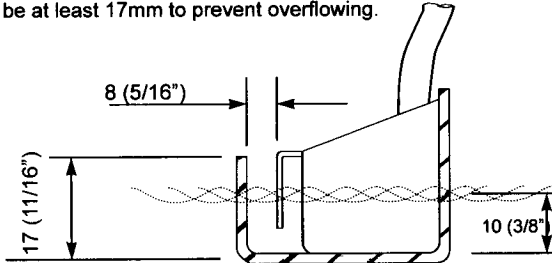
Installation

The AquaSwitch is intended to detect rising condensate water levels in A/C and Refrigeration applications. It may also be used in Reservoir Top-Up or High Level Alarm applications. The Aquaswitch is a semi-submersible switch therefore it must not be used in application where it will be permanently submerged or for long extended periods. It is not recommended to use it as a low level switch.

The AquaSwitch may be used in metal or plastic collection trays.

When positioning, ensure that there is 8mm of clearance in front and 5mm below the sensing pads.

The Aqua switch will operate tilted in any direction from the normal by up to 45° However for reliable operation position the AquaSwitch Flat and Level. Tray depth must be at least 17mm to prevent overflowing.



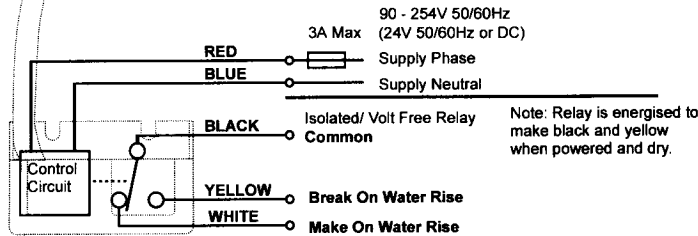
Electrical Connections

Disconnect ALL power supplies before starting installation or maintenance work.

This control is intended for use inside the enclosure of host equipment.

Wiring and connections are for internal wiring only. It is recommended to use a fuse in the circuit which supplies the Aquaswitch 3 Amps maximum.

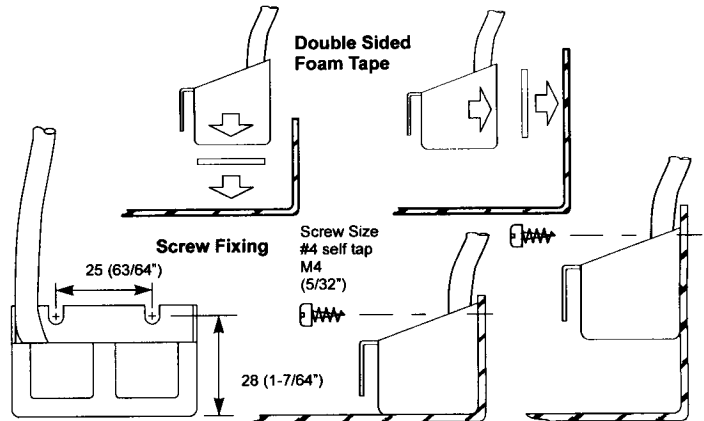
The Relay contacts are electrically isolated from the supply and control circuit. Caution! Terminate spare wire end of unused relay connection.



Connections	Cable Length 500mm (5 Core 16/0.2 0.5mm ²)
Supply	EUROPEAN
RED	L LIVE PHASE
BLUE	N NEUTRAL
	USA
	L1 PHASE 1
	L2 PHASE 2

Fixing Methods

1. Use the waterproof double sided foam supplied to adhere the AquaSwitch to the side or base of the tray. Surfaces should be flat, free from grease, dust and water when fixing. Allow 24hrs for full adhesion.
2. Screw the AquaSwitch to the wall of the tray or suitable bracket. Do NOT drill or screw into the AquaSwitch in any way other than by the fixing slots provided.



Warranty

This product is guaranteed for two years to be free from manufacturing defects or faulty materials. If it should fail for either of these reasons within two years from the date of manufacture it will be replaced or repaired free of charge, at the option of EDC International Limited. EDC International Limited can accept no liability whatsoever for any loss or damage arising from the use of this product, however caused. Before using this product the user should satisfy himself that the product is suitable for use in the intended application, and for the manner in which it is intended that it be used. Note that the warranty on this product is void if it has been mechanically damaged, or if the supply cable has been cut to less than 100mm 4" long. This product is subject to continuous development and improvement and EDC International Limited reserves the right to alter the specifications or design without prior notice.



EDC International Ltd
24, Horseshoe Park
Pangbourne, RG8 7JW
UK
Phone: +44 (0)118 9842991

EDC International, Inc
273, Canal Street, Suite 224
Shelton, CT6484 U.S.A.
Phone:(203)922 1886

EDC Technologies Asia Pte Ltd
21004 Toa Payoh North #06-08, Singapore
318995
Phone:+65 252 8030



www.edcinternational.com