



ROOM, DUCT, AND OSA 2% HUMIDITY TRANSMITTERS SRH12 SERIES



DESCRIPTION

Designed for the HVAC control system, the **Setra SRH12 Series** of humidity transmitters offer reliable measurement of RH levels from 0 to 100% with an accuracy of 2%. Available in wall, duct, and outside air configurations, the **SRH12 Series** is easy to install and service if necessary. The transmitters utilize a field replaceable sensor tip that allows the end user to replace sensors on-site. This eliminates factory calibration and downtime.

FEATURES

- $\pm 2\%$ RH accuracy
- No recalibration required
- Replaceable sensor
- Capacitive sensor technology
- Reverse polarity protection

APPLICATION

- HVAC/R building controls
- Indoor air quality
- Laboratories
- Antiquities preservation
- Swimming pools
- Clean rooms



Outside Air



Duct



Wall



WIRING

Shield		6 ← Ground connection
		5 (not used)
		4 (not used)
		3 (not used)
RTN/COM		2 → RH (4 to 20 mA) output
+EXC		1 ← Vin

SPECIFICATIONS

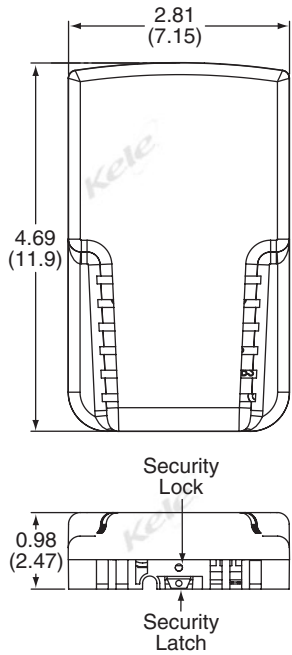
Accuracy	2% RH (0-100% RH) @ 73°F (23°C)	Dimensions	
Drift	<1% RH/yr @ 73°F (23°C), 50% RH	Room	4.7"H x 2.8"W x 1.0"D (12 x 7 x 2.5 cm)
Supply Voltage	12-30 VDC	Duct	5.1"L x 2.7"W x 2.4"D (13 x 6.8 x 7 cm)
Signal Output	4-20 mA, 2-wire		8.5" (21.6 cm) probe length 1/2" probe Ø
Maximum Output Impedance	700Ω @ 24 VDC Ω = (supply - 10) / 0.02	OSA	6.1"L x 4"W x 12.5"D (15.5 x 10 x 32 cm)
Sensing Technology	Replaceable capacitive	Approvals	CE, RoHS
Sensor Protection	Porous Polyethylene	Weight	
Protection	Reverse polarity protection	Room	0.5 lb (0.23 kg)
Operating Humidity	0 to 100%	Duct	1.3 lb (0.59 kg)
Operating Temperature	-40° to 140°F (-40° to 60°C)	OSA	2.6 lb (1.2 kg)
Enclosure		Warranty	1 year (sensor) 3 years (electronics only)
Room	ABS plastic (flammability, 94V-0)		
Duct	Polycarbonate (flammability, 94V-0), NEMA 4 (IP65),		
Wiring Terminations	Pluggable terminal block		



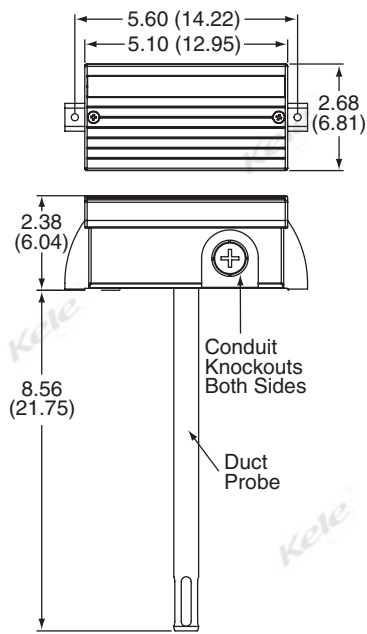
HUMIDITY

ROOM, DUCT, AND OSA 2% HUMIDITY TRANSMITTERS SRH12 SERIES

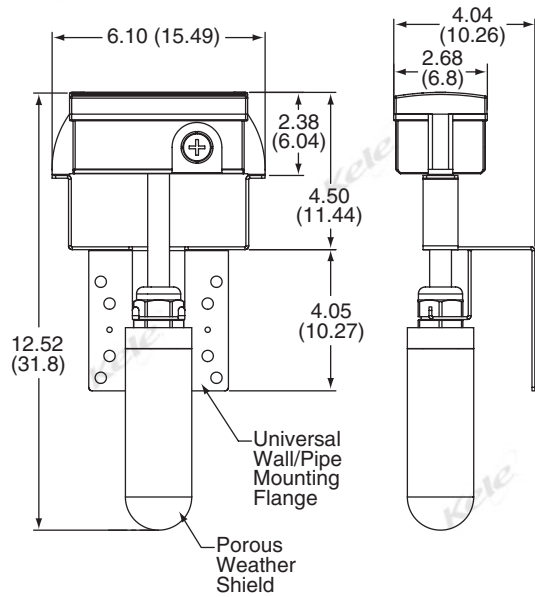
DIMENSIONS



Wall Mount



Duct Mount



Outside Air

9

HUMIDITY

ORDERING INFORMATION

MODEL	DESCRIPTION
SRH2PO11T0N	2% Outside air humidity transmitter, 4-20 mA output
SRH12PD11T0N	2% Duct mount humidity transmitter, 4-20 mA output
SRH12PW11T0N	2% Wall mount humidity transmitter, 4-20 mA output

	RELATED PRODUCTS	PAGE
DPCA-1.2	Power supply, 120 VAC IN to 24 VAC/24 VDC OUT	994
DCP-1.5-W	Power supply, 24 VAC IN to 24 VDC OUT	995

	ACCESSORIES
SRH32PT0	Replacement 2% humidity sensor