



# HUMIDITY

## ROOM, DUCT, AND OSA 5% HUMIDITY TRANSMITTERS GEH5 SERIES

### DESCRIPTION

The **Telaire/Amphenol Advanced Sensors Model GEH5 Series 5% accuracy humidity transmitters** are designed specifically for commercial HVAC/BAS applications. The room, duct, and OSA transmitters have replaceable sensor tips and switch-selectable outputs of 4-20 mA, 0-5 VDC or 0-10 VDC. The **GEH5 Series** also has an optional temperature transmitter, which has the same selectable outputs as humidity. All duct and OSA units come in weather-resistant enclosures rated for IP42 or NEMA 3R applications.

### FEATURES

- **±5% accuracy**
- **Temperature compensated**
- **Field-selectable 4-20 mA, 0-10V, or 0-5V outputs**
- **Replaceable sensor**
- **Optional temperature transmitter**



9

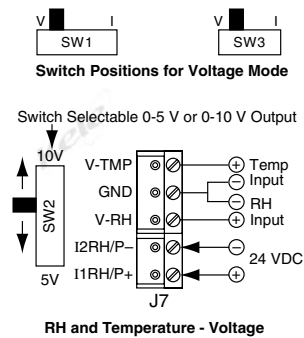
HUMIDITY

### SPECIFICATIONS

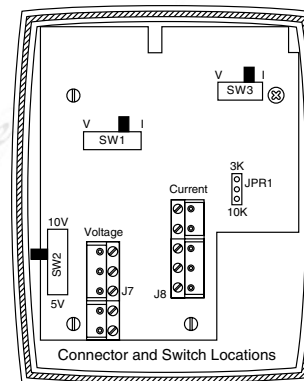
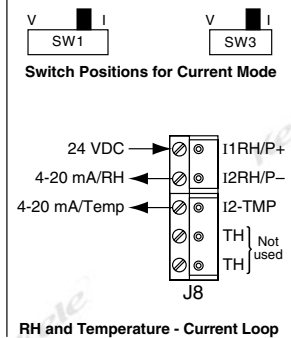
<b>Accuracy</b>	5% (10% to 90%)
<b>Supply Voltage</b>	12-30 VDC, 100 mA
<b>Signal Output</b>	4-20 mA @ 700Ω, 0-5V/0-10V selectable @ 10KΩ max.; 0-100% RH
<b>Sensing Technology</b>	Capacitive and replaceable
<b>Operating Humidity</b>	0% to 99%, non-condensing
<b>Operating Temperature</b>	-40° to 140°F (-40° to 60°C)
<b>Enclosure Rating</b>	
<b>Room</b>	ABS plastic, UL94V Room Installed IP20, NEMA 1
<b>Duct/OSA</b>	IP42, NEMA 3R Stainless steel with removable tip, PTFE Teflon® shield
<b>Wiring Terminations</b>	16 to 22 AWG terminals
<b>Weight</b>	
<b>Room</b>	0.34 lb (0.15 Kg)
<b>Duct</b>	0.96 lb (0.44 Kg)
<b>OSA</b>	1.22 lb (0.55 Kg)
<b>Warranty</b>	2 years

### WIRING

#### VOLTAGE MODE



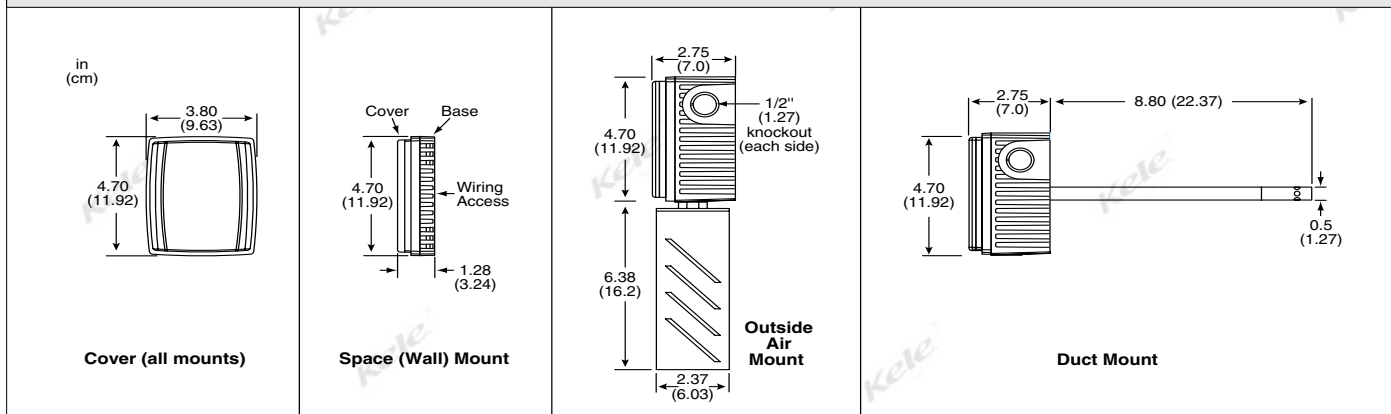
#### CURRENT MODE





## ROOM, DUCT, AND OSA 5% HUMIDITY TRANSMITTERS GEH5 SERIES

### WIRING



### ORDERING INFORMATION

MODEL	DESCRIPTION
GEH5	RH transmitter 5% accuracy
<b>RH MOUNTING ENCLOSURE</b>	
S	Decorative room mounting enclosure
D	Duct mounting with ABS plastic IP42 enclosure
O	OSA mounting with ABS plastic IP42 enclosure and weather shield
SN	Decorative room mounting enclosure with NIST certificate
DN	Duct mounting with ABS plastic IP42 enclosure with NIST certificate
ON	OSA mounting with ABS plastic IP42 enclosure and weather shield with NIST certificate
<b>TEMPERATURE OPTION</b>	
TT0	Transmitter, 40° to 90°F (4.4° to 32.2°C) (S, D, SN, and DN only)
TT2	Transmitter, -20° to 140°F (-29° to 60°C) (D, O, DN, and ON only)
TT3	Transmitter, 0° to 100°F (-18° to 38°C) (All enclosure mounts)

**Example:** GEH5-SN 5% room RH transmitter with NIST certificate  
 GEH5-D 5% duct RH transmitter

### RELATED PRODUCTS

<b>GEH5-RH</b>	Replaceable 5% humidity sensor for room, duct, and OSA transmitters
<b>GEH5-RHTT</b>	Replaceable 5% humidity and temperature sensor for room, duct and OSA transmitters
<b>DCPA-1.2</b>	Power supply, 120 VAC IN to 24 VAC/24 VDC OUT
<b>DCP-1.5-W</b>	Power supply, 24 VAC IN to 24 VDC OUT