



## 2% WATERPROOF / WASHDOWN HUMIDITY TRANSMITTER EHRH



### DESCRIPTION

The **Telaire/Amphenol Advanced Sensors EHRH** series humidity transmitters are specifically designed for washdown areas and condensing atmospheres and offer thermistor or 4-20 mA temperature output. The **EHRH Series** measures relative humidity with a 2% resistive sensor and can withstand 100% saturation. It is made to be surface mounted to a single-gang outlet box or mounted directly to the wall. The **EHRH Series** are furnished with a waterproof case, connector, and stainless steel cover with leads for termination inside the wall.

### FEATURES

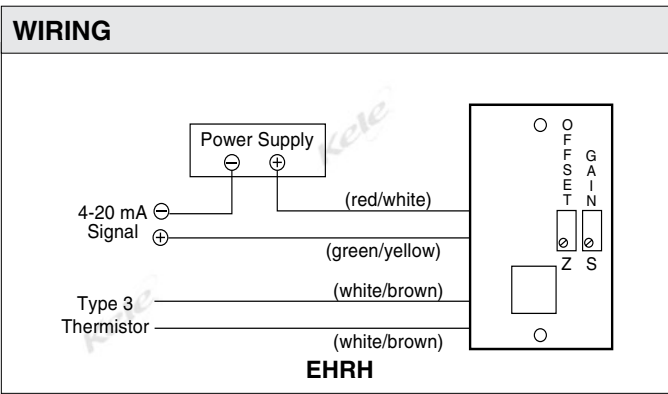
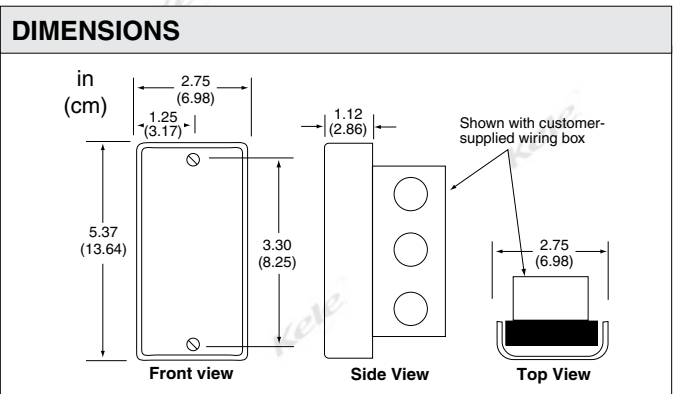
- Wash down waterproof design
- 4-20 mA output
- Easy one-point field calibration
- Rugged metal cover
- Temperature output: Thermistor or 4-20 mA



### APPLICATION

- Swimming pools
- Green houses
- Hospital suites
- Food processing
- Gymnasium

SPECIFICATIONS	
<b>Accuracy</b>	
Humidity	2% (30% to 95%)
Temperature	±0.5°F (±0.3°C) @ 77°F
Supply Voltage	12-36VDC (Loop powered)
Signal Output	4-20 mA @ 700Ω
<b>Measurement Range</b>	
Humidity	0% to 100%
Temperature	-20° to 140°F (-29° to 60°C)
<b>Sensing Technology</b>	
Humidity	Bulk polymer resistive
Temperature	Platinum 1000Ω 385 RTD
EHRH-T	Type III 10 kΩ
EHRH	
<b>Adjustments</b>	
Zero	±20%
Span	±10%
Sensitivity	0.1% RH
Operating Temperature	-4° to 129°F (-20° to 54°C)
<b>Enclosure Rating</b>	Epoxy-hardened waterproof case Cover: Stainless steel
<b>Wiring Terminations</b>	Flying leads
<b>Weight</b>	0.98 lb (0.44 Kg)
<b>Approvals</b>	CE
<b>Warranty</b>	1 year



### ORDERING INFORMATION

MODEL	DESCRIPTION
EHRH	Waterproof/Washdown 2% RH 4-20mA transmitter, with 10k-3 Thermistor
EHRH-T	Waterproof/Washdown 2% RH and Temperature Dual 4-20mA transmitter (-20°-140°F, -29°-60°C)

### RELATED PRODUCTS

DCPA-1.2	Power supply, 120 VAC IN to 24 VAC/24 VDC OUT
DGP-1.5-W	Power supply, 24 VAC IN to 24 VDC OUT

