



GAS & SPECIALTY SENSORS

REMOTE ACCESSORIES FOR SM-501, SL-2000, RT-3000 AND HS-100 MS SERIES

DESCRIPTION

The Air Products & Controls MS Series remote accessories are used with the SM-501, SL-2000, RT-3000 or HS-100 Series duct smoke detectors to provide audible and visual indication as well as remote test/reset functions.

All devices have a brushed stainless steel face plate. All devices are also designed to be mounted on a single- or double-gang box.

FEATURES

- Remote indication for SM-501, SL-2000, RT-3000 and HS-100 smoke detectors
- Available with alarm and pilot LEDs and alarm horn
- Available with momentary push button or maintained key-operated test/reset switch
- Mounts to standard single- or double-gang box



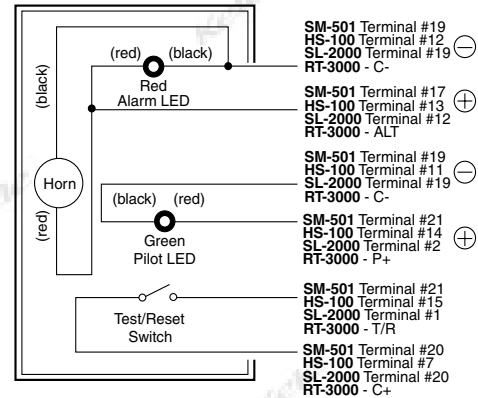
7

GAS & SPECIALTY SENSORS

SPECIFICATIONS

Supply Current	
Alarm LEDs	15 mA @ 24 VDC from detector
Pilot LEDs	15 mA @ 24 VDC from detector
Horn	20 mA @ 24 VDC from detector
Alarm Auditory Levels [Db]	78 db @ 10' (3.0m)
Reset	Normally open
Wiring Terminations	
LEDs/Horn	6" (15.2cm)/24 AWG pigtails
Switches	6" (15.2cm)/22 AWG pigtails
Dimensions	
Single-gang	2.75"W x 4.5"H (6.9 x 11.4 cm)
Double-gang	4.5"W x 4.5"H (11.4 x 11.4 cm)
Weight	0.5 lb (0.22 Kg) maximum
Approvals	UL File #S7425 CSFM 7300-1004:107 MEA 73-92-E, Vol. 25
Warranty	3 years

WIRING



Note: If duct smoke detectors are interconnected for common functions, refer to detector installation guide for proper connection of remote alarm functions.

Remote Accessory Wiring
for SM-501, HS-100, RT-3000 and SL-2000 Smoke Detectors

ORDERING INFORMATION

MODEL	DESCRIPTION
MS-KA/R	Remote red alarm LED and key-operated test/reset switch
MS-KA/P/R	Remote red alarm LED, green pilot LED, and key-operated test/reset switch
MS-RA	Remote red alarm LED
MS-RA/P	Remote red alarm LED and green pilot LED
MS-RA/P/R	Remote red alarm LED, green pilot LED, and push button test/reset switch
MS-RA/R	Remote red alarm LED and push button test/reset switch
MS-RH	Remote alarm horn
MS-RH/KA-P/A/T	Remote Alarm horn, Red alarm LED, Green pilot LED, Yellow Trouble LED, Key operated Test/Reset switch
MS-RH/KA/P/R	Remote alarm horn, red alarm LED, green pilot LED, and key-operated test/reset switch
MS-RH/P/A	Remote alarm horn, red alarm LED, and green pilot LED