



GAS & SPECIALTY SENSORS

CO2 AND CO2/RH SENSORS KCO2 SERIES

DESCRIPTION

The Kele KCO2 Series Carbon Dioxide Sensors measure environmental CO2 levels for use in demand-controlled ventilation, air-quality monitoring, and other HVAC applications. The sensor provides visual indication and analog output of CO2 levels. The units are equipped with push-button calibration and an easily accessible calibration port for field maintenance. Optional audible alarm indication, LCD display, or relay output is available.

FEATURES

- 24 VAC/VDC power
- 0-10V or 4-20 mA option
- Optional RH transmitter
- Push-button calibration
- Calibration port
- Visual LED alarm
- Optional relay, audible alarm and LCD display
- LCD displays either parameter

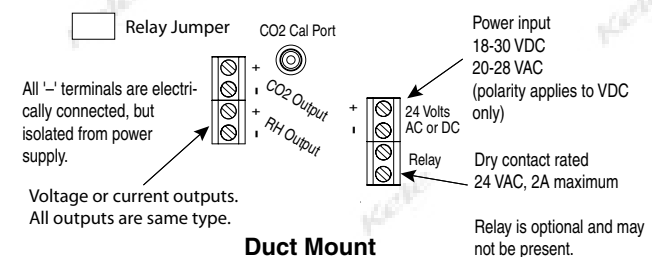
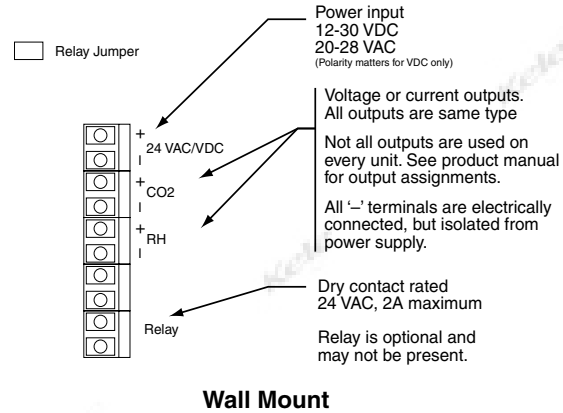


7 GAS & SPECIALTY SENSORS

SPECIFICATIONS

Supply Voltage	18-28 VAC @ 5 VA, 50/60 Hz, 15 VA inrush; reverse polarity protected or 18-30 VDC @ 200 mA
Accuracy	
CO2	±3% of reading or ±40 ppm
Humidity	5% of reading 20% to 80% RH
Signal Output	4-20 mA @ 600Ω, 0-10V
Measurement Range	
CO2	0-2000 ppm
Humidity	0% to 100%
Sensing Technology	
CO2	Non-dispersive IR (NDIR)
Humidity	Capacitive
Visual Indication	LED Flashes above 1000 ppm of CO2 Display Optional, four-digit LCD
Warm Up Time	<3 minutes
Relay Output	(Optional) SPST 2A @ 24 VAC (Normally Open) (20 ppm DIF)
Relay Setpoint	1000 ppm CO2
Alarm Auditory Levels [Db]	65 dB, set at 1000 ppm of CO2, Optional, 65 dB, set at 1000 ppm of CO2
Operating Temperature	32° to 122°F (0° to 50°C)
Operating Humidity	0% to 99% RH (noncondensing)
Dimensions	
Wall	4.5"H x 2.8"W x 1.0"D (11.4 x 7.3 x 2.54 cm)
Duct	4.5"H x 2.8"W x 6.9"D (11.4 x 7.3 x 17.5 cm)
Duct probe	1.7" (4.3 cm) diameter, 6.25" (15.9 cm) long
Weight	
Wall	0.25 lb (0.11 Kg)
Duct	0.5 lb (0.23 Kg)
Warranty	1 year

WIRING



ORDERING INFORMATION

MODEL	DESCRIPTION
KCO2	CO2 sensor with LED indication
	OPTIONAL ADDITIONAL SENSOR
RH	Relative humidity sensor
	MOUNTING
W	Wall mount
D	Duct mount
	ANALOG OUTPUT
A	4-20 mA output
V	0-10V output
	OPTIONS (Can be combined)
A	Audible alarm
LCD	Four-digit LCD display
R	SPST relay output

Example: KCO2-RH-W-A-LCD Wall mount CO2/RH transmitter with 4-20 mA output, and LCD display

ACCESSORIES

691-K0A	Control transformer, 120:24 VAC, 40 VA, Class 2
DCP-1.5-W	Power supply, 24 VAC IN to 24 VDC OUT
DCPA-1.2	Power supply, 120 VAC IN to 24 VAC/24 VDC OUT