

# GAS & SPECIALTY SENSORS

## TOXIC AND COMBUSTIBLE STANDALONE GAS DETECTOR 6600 SERIES



7

GAS & SPECIALTY SENSORS

NEW!

### DESCRIPTION

Bacharach's 6600 Series or MGS-550 full-featured fixed gas monitors provide superior operation - standalone or as part of a larger system utilizing the standard analog outputs. This state-of-the-art instrument can detect a wide range of gases including carbon monoxide (CO), oxygen (O2), combustible gases and refrigerants. The 6600 Series provides a unique sensor interface, allowing for multiple gases to be detected with onboard or remote sensors allowing for sensors to be placed directly in areas where potential leaks can occur. Bacharach's proprietary calibration algorithms extend the amount of time required between calibrations, reducing maintenance costs and lowering the overall cost of ownership for non-critical applications.

The 6600 Series has all the features and functionality for any application. LED alarm indicators visually indicate when alarm conditions are met and an audible alarm alerts nearby personnel. An onboard alpha numeric display shows gas readings in real time for each sensor. Integral dry contact relays are available to drive external audible / visual alarms, activate fans, or connect to building management and control systems. Installation and maintenance is simple and easy, reducing overall system cost.

### FEATURES

- Can be used as a stand alone unit
- Local and remote sensing
- Wide range of gases detected
- 4-20mA signal
- LED Indicators



6600 Wall



Remote Probe

| SPECIFICATIONS                    |  |
|-----------------------------------|--|
| <b>Supply Voltage</b>             | 19.5-28.5 VDC @ 0.25 mA, 24 VAC ±20%, 50/60Hz @ 8 VA   |
| <b>Signal Output</b>              | 4-20 mA @ 375Ω, 0/1-5V, 0/2-10V (dual outputs for 2 sensor onboard configurations)   |
| <b>Setpoint Range</b>             | Menu select on unit Fixed 5% of full scale 1-SPDT, 1A @24V Adjust Menu 0-100% of measured range, R1-02<br>Menu Select on unit Fixed 5% of full scale 2-SPDT, 1A @24V Adjust Menu 0-100% of measured range, R2-02<br>Menu select on unit Fixed 5% of full scale 3-SPDT, 1A @24V Adjust Menu 0-100% of measured range, R3-02 |
| <b>Sensing Technology</b>         | Electrochemical, semi-conductor, catalytic bead and infrared   |
| <b>Visual Indication</b>          | LED indication   |
| <b>Alarm Relay Output</b>         | (3) SPDT, 1 A @ 24 VAC/VDC, 0.5 A @ 125 VAC, 5% DIF  |
| <b>Alarm Auditory Levels [Db]</b> | 85 dBA audible alarm @ 4 inches  |
| <b>Communication</b>              | Modbus RTU via RS-485  |
| <b>Operating Humidity</b>         | 5 to 90% non-condensing  |
| <b>Operating Temperature</b>      | -5° to 120°F (-20° to 50°C)  |
| <b>Enclosure Rating</b>           | ABS Plastic, NEMA 4 (IP66)   |
| <b>Dimensions</b>                 | 8.3"H x 8.9"W x 3.1"D (21 x 22.5 x 8.5 cm)   |
| <b>Weight</b>                     |  |
| <b>Wall</b>                       | 2 lb (1.0 Kg)  |
| <b>Remote</b>                     | 1 lb (0.5 Kg)  |
| <b>Approvals</b>                  | CE   |
| <b>Warranty</b>                   | 1 year   |

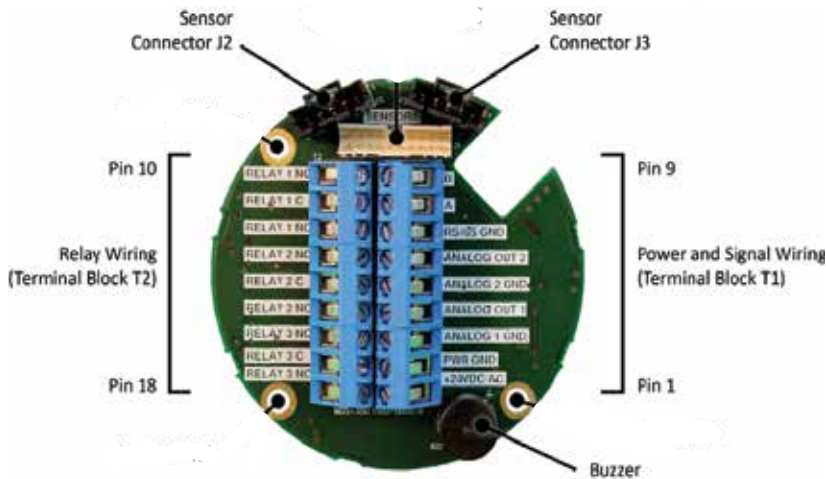
NEW!



# GAS & SPECIALTY SENSORS

## TOXIC AND COMBUSTIBLE STANDALONE GAS DETECTOR 6600 SERIES

### WIRING



| TERMINAL | LEGEND                |
|----------|-----------------------|
| 1        | 24vac/vdc positive    |
| 2        | 24vdc/vdc negative    |
| 3        | Analog out 1 minus    |
| 4        | Analog out 1 positive |
| 5        | Analog out 2 minus    |
| 6        | Analog out 2 positive |
| 7        | RS-485 shield         |
| 8        | RS-485 A              |
| 9        | RS-485 B              |
| 10       | Relay 1 NC            |
| 11       | Relay 1 common        |
| 12       | Relay 1 NO            |
| 13       | Relay 2 NC            |
| 14       | Relay 2 common        |
| 15       | Relay 2 NO            |
| 16       | Relay 3 NC            |
| 17       | Relay 3 common        |
| 18       | Relay 3 NO            |

7

GAS & SPECIALTY SENSORS

### ORDERING INFORMATION

| MODEL     | DESCRIPTION   |
|-----------|---|
| 6600-8010 | Carbon Dioxide (CO2) gas detector, wall mount, 4-20 mA and relays, 5k ppm |
| 6600-8025 | Oxygen (O2) gas detector, wall mount, 4-20 mA and relays, 30%             |
| 6600-8023 | Carbon Monoxide (CO) gas detector, wall mount, 4-20 mA and relays, 1k ppm |
| 6600-8000 | Base Unit without sensors gas detector, wall mount, 4-20 mA and relays    |
| 6600-8136 | Methane (CH4) gas detector, 16.4 foot (5 m)                               |
| 6600-8172 | Hydrogen (H2) gas detector, 16.4 foot (5 m)                               |
| 6600-8124 | Nitrogen Dioxide (NO2) gas detector, 16.4 foot (5 m)                      |
| 6600-8169 | Ammonia (NH3) gas detector, 16.4 foot (5 m)                               |
| 6600-8156 | R-134a gas detector, 16.4 foot (5 m)                                      |
| 6600-8154 | R-22 gas detector, 16.4 foot (5 m)  |
| 6600-8161 | R-410a gas detector, 16.4 foot (5 m)                                      |
| 6600-8165 | R-507 gas detector, 16.4 foot (5 m) only need 6600-8000 base              |

### RELATED PRODUCTS

|           |   |
|-----------|---|
| DCPA-1.2  | Power supply, 120 VAC In to 24 VAC/24 VDC Out   |
| 691-K0A   | Control transformer, 120:24 VAC, 40 VA, Class 2 |
| DCP-1.5-W | Power supply, 24 VAC IN to 24 VDC OUT           |

NEW!