

ALARMS & INDICATION



KELE BIG DISPLAY READOUT, 3-1/2 DIGIT LED, RED/BLUE/GREEN BDR SERIES

DESCRIPTION

The Kele BDR Series Big Display Readout has large 2.3" size LED digits. It provides 3-1/2 digits and comes in three bright LED colors: red, green or blue. The BDR has a selectable decimal point position and accommodates negative sign readouts. The readouts are in linear proportion to the 4-20mA, 0-10VDC, 0-5VDC signal inputs or a voltage monitor input from 0-20VDC. These displays are easy to field calibrate with non-interactive zero and span pots as well as free pre-calibration service from Kele at time of order.

FEATURES

- Large 2.3" (5.8 cm) digital display
- LED colors in red, green or blue
- 3-1/2 digit with negative signal as needed
- Standard signal inputs: 4-20 mA, 0-10 VDC, 0-5 VDC
- Wall, ceiling or panel mount
- Non-interactive zero and span pots
- Pre-calibration

SPECIFICATIONS

Supply Voltage	90-240 VAC, 12 VA / 10.5 - 30 VAC/VDC 6VA
Accuracy	±1% full scale plus 1 count
Input Current	4-20 mA, 300Ω
Input Voltage DC	0-5 VDC, 0-10 VDC, 1 MΩ
Range	-1999 to 1999
Input Monitor	DC power (no offset, 10 MΩ 0-200 mVDC, 0-2 VDC, 0-20 VDC
Digit Span	3-1/2 digit
Decimal Point	Off, DP1, DP2, DP3 (1999, 199.9, 19.99, 1.999)
Display Color	Red, green, blue
Display Size	2.3" (5.8 cm)
Display Type	Seven-segment LED
Calibration	Zero and span, non-interactive
Cutout Requirement	4.0"H x 10.4"W x 2.0"D (10.0 x 26.4 x 5.0 cm)
Mounting	Panel: Steel U-bracket Wall/ceiling: Steel swivel bracket
Operating Temperature	14° to 122°F (-10° to 50°C)
Operating Humidity	5-95% RH non-condensing
Enclosure Rating	NEMA 1, aluminum and plastic
Dimensions	4.2"H x 10.6"W x 2.2"D (10.6 x 27.0 x 5.5 cm)
Weight	2.8 lb (1.3 Kg)
Approvals	RoHS
Warranty	1 year



BDR-G



BDR-B



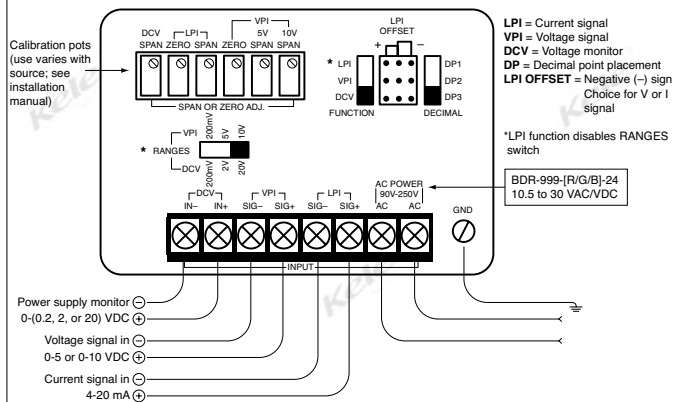
BDR-R



Mounting Brackets included



WIRING



ORDERING INFORMATION

Displays are custom calibrated at no charge and require specification of input scale (mA, VDC), range, engineering units, and decimal point placement.

MODEL	DESCRIPTION
BDR-999-R-24	Red LED 3-1/2 digit display, 2.3" (5.8 cm) high 24 VAC/VDC
BDR-999-G-24	Green LED 3-1/2 digit display, 2.3" (5.8 cm) high 24 VAC/VDC
BDR-999-B-24	Blue LED 3-1/2 digit display, 2.3" (5.8 cm) high 24 VAC/VDC
BDR-999-R-120	Red LED 3-1/2 digit display, 2.3" (5.8 cm) high 120 VAC
BDR-999-G-120	Green LED 3-1/2 digit display, 2.3" (5.8 cm) high 120 VAC
BDR-999-B-120	Blue LED 3-1/2 digit display, 2.3" (5.8 cm) high 120 VAC

Red LED 3-1/2 digit display, 2.3" (5.8 cm) high 24 VAC/VDC
Green LED 3-1/2 digit display, 2.3" (5.8 cm) high 24 VAC/VDC
Blue LED 3-1/2 digit display, 2.3" (5.8 cm) high 24 VAC/VDC
Red LED 3-1/2 digit display, 2.3" (5.8 cm) high 120 VAC
Green LED 3-1/2 digit display, 2.3" (5.8 cm) high 120 VAC
Blue LED 3-1/2 digit display, 2.3" (5.8 cm) high 120 VAC

RELATED PRODUCTS

DCPA-1.2	Power supply, 120 VAC IN to 24 VAC/24 VDC OUT
DGP-1.5-W	Power supply, 24 VAC IN to 24 VDC OUT