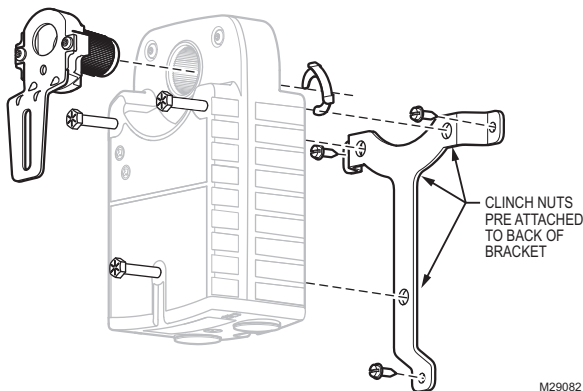


S03, S05 Series Accessories for Spring Return Direct Coupled Actuators

STRN-WMK-01; STRN-ECONO-01; STRN-CRK-01;
STRN-SCSA; STRN-CA-01; STRN-CA-02; STRN-BRKT

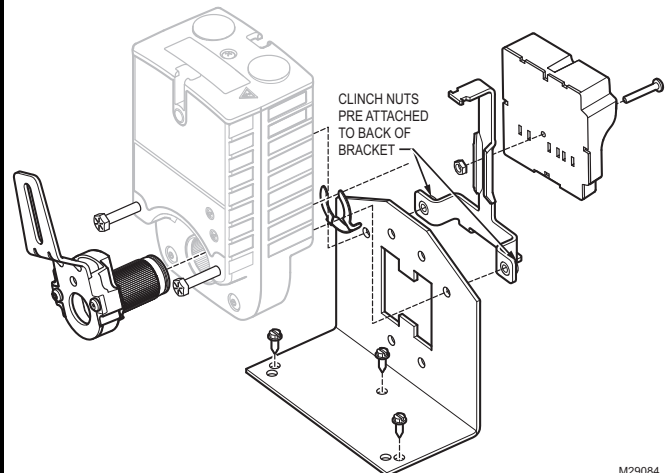
INSTALLATION INSTRUCTIONS

STRN-WMK-01 Wall Mount Kit



M29082

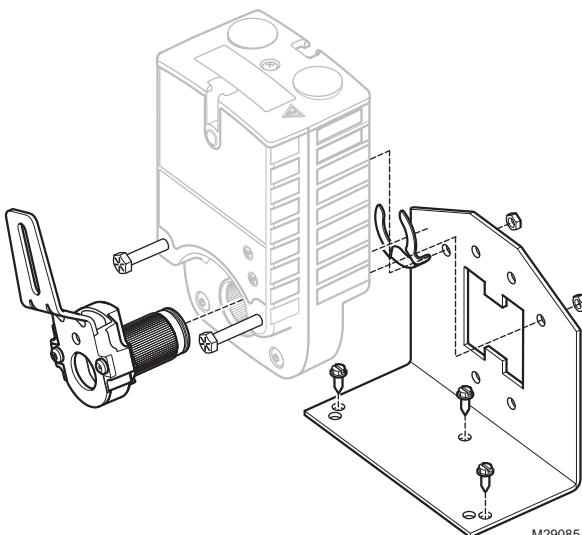
STRN-ECONO-01 Economizer Retrofit Kit



M29084

Actuator can be mounted at 0°, 90° (shown above) or 180°. Economizer modules W6210; W6215; W7210; W7215; W7460 should be installed on a flat surface.

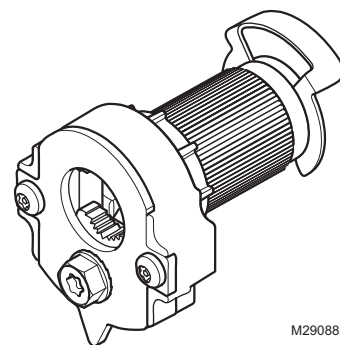
STRN-CRK-01 Crank Arm Kit



M29085

Foot mount kit can mount in place of these foot mount actuators: M6415, M7415, M8405, M8415, Honeywell Modutrol IV, Johnson M100, and Invensys MA Series.

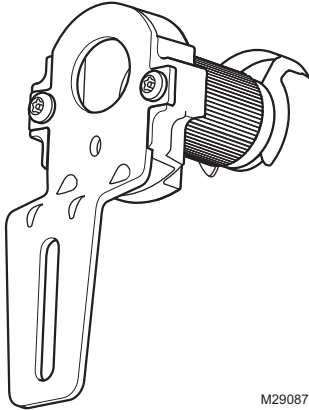
STRN-SCSA Self Centering Shaft Adapter



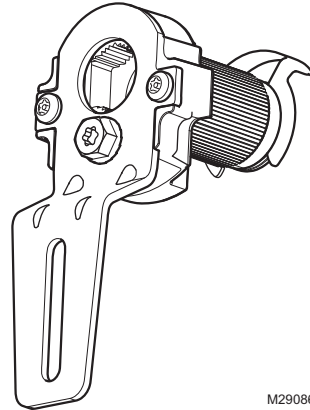
M29088



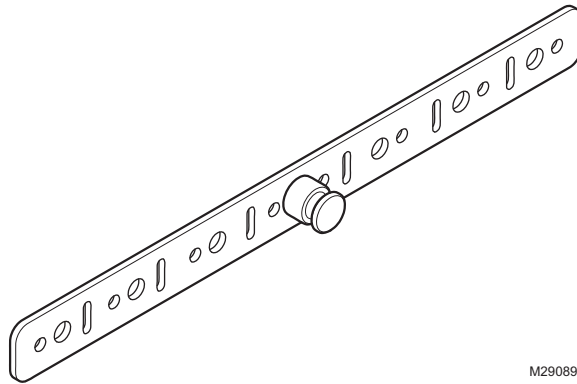
STRN-CA-01
Crank Arm—Non-self Centering



STRN-CA-02
Crank Arm—Self Centering



STRN-BRKT
Anti-rotation Bracket



Automation and Control Solutions

Honeywell International Inc.
1985 Douglas Drive North
Golden Valley, MN 55422
customer.honeywell.com

Honeywell Limited-Honeywell Limitée
35 Dynamic Drive
Toronto, Ontario M1V 4Z9

© U.S. Registered Trademark
© 2009 Honeywell International Inc.
62-0302—03 M.S Rev. 03-09



Printed in U.S.A. on recycled
paper containing at least 10%
post-consumer paper fibers.

Honeywell