



## LIMIT SWITCH

## KLNJ-A2

**Features**

Housing is made of durable aluminum die-casting.

Heat-resistance, vibration-resistance structure (protection IP67)

Built-in double-pole double-break standard micro-switches

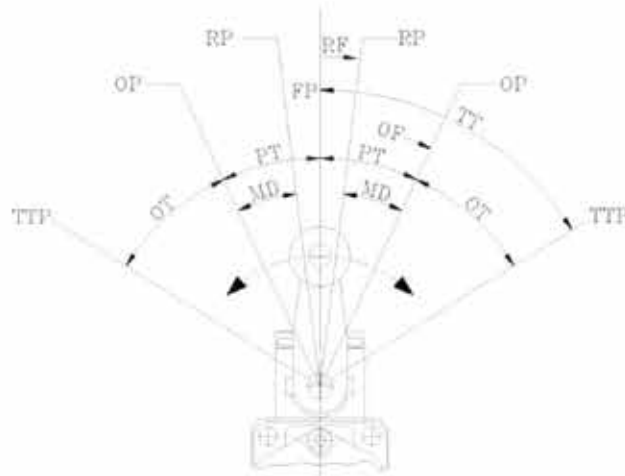
Operation Indicator (LED or Neon lamp) helps easier inspection and maintenance

Microload models are available



Actuator	Roller lever	75°	90°	Roller lever, adjustable roller lever, adjustable rod lever, fork lever lock
	Plunger		○	Top plunger, top roller plunger, sealed top roller plunger, top ball plunger, side roller plunger
	Flexible rod		○	Coil spring, coil spring aluminum rod
Load	Standard load	1a1b	○	Using of normal double pole, double break switch
	Microload	1a1b		
Environment-resistance specification	High enclosed		○	Using of hermetic sealed built-in switch
	Mold terminal			Lead wire attached Improved hermetic property with epoxy resin in receptacle part
	Heat-resistance	KL □□ -TH		Silicon rubber is used to improve heat-resistance Ambient temperature 120°C Available operation temperature (+5°C ~+120°C)
	Cold-resistance	KL □□ -TC		Silicon rubber is used to improve cold-resistance Ambient temperature -40°C Available operation temperature (-40°C ~+40°C)
Operation indicating lamp		KL □□ -LE	○	Operation state can be monitored easily.
		KL □□ -LD	○	Turn on lamp when operating, available to turn on lamp when not-in-operating

## ACTUATION RANGE GUIDE



OF	Required force to actuate	Required force to move from free position (FP) to operating position (OP)
RF	Return force	Required force to return from total travel position (TTP) to return position (RP)
PT	Movement to actuation	Distance or angle of movement from free position (FP) to operating position (OP)
MD	Movement differential	Distance or angle of movement from operating position (OP) to return position (RP)
OT	Movement after actuation	Distance or angle of movement from operating position (OP) to total travel position (TTP)
OP	Operating position	Actuator position when a contact point (NO (normal open)) is actuated (On) at free position (FP).
FP	Free position	Actuator position when no external force is applied to actuator
TTP	Total travel position	Actuator position when actuator arrives at stop.
RP	Return position	Actuator when a contact point (NO) is off at operating position (OP).
TT	Entire movement	Distance or angle of movement from free position (FP) to total travel position (TTP).

LIMIT SWITCH



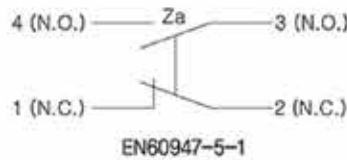
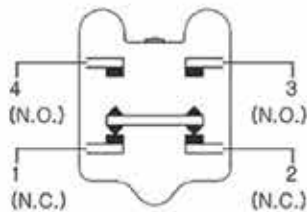
**RATINGS**

Normal open circuit

Rated Voltage	Non-inductive load				Inductive load			
	Resistance load		Lamp load		Resistance load		Motor load	
	NC	NO	NC	NC	NC	NO	NC	NO
AC125	10	10	3	1.5	6		5	2.5
AC250	10	10	2	1	6		3	1.5
AC480	6	6	1.5	0.8	3		1.5	0.8
AC600	3	1	1	0.5	1.5		1	0.5
DC8	10		6	3	6		6	
DC14	10		6	3	6		6	
DC30	6		4	3	6		6	
DC125	0.8		0.2	0.2	0.8		0.2	
DC250	0.4		0.1	0.1	0.4		0.1	

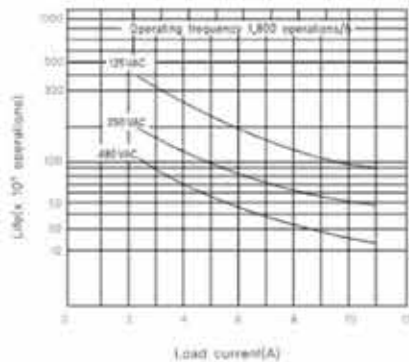
**DPDB Operation**

Double-pole, Double-break structure for circuit breaking



**PROPERTY DATA**

Electrical durability (cosφ=1)



Rated Voltage (V)	Resistance load (A)
AC 125	0.1
DC 30	

Operational load range: DC5~30V, 0.5~100mA

UL, cUL Safety standards, UL508	
Rated Voltage	Rated current
250VAC	10A(resistance load)
125VAC	10A(resistance load)

CONTROL COMPONENTS

SQUARE LIGHT

TOWER LIGHT

MICRO SWITCH

FOOT SWITCH

LIMIT SWITCH

POWER SWITCH

HOIST SWITCH

CAM SWITCH

BUZZER

PHOTO SENSOR

PROXIMITY SENSOR

FLOATLESS LEVEL SWITCH

TIMER & COUNTER

RELAY

SOCKETS

TERMINAL BLOCK

CONTROL BOX

PID TEMP. CONTROLLER



## CHARACTERISTICS

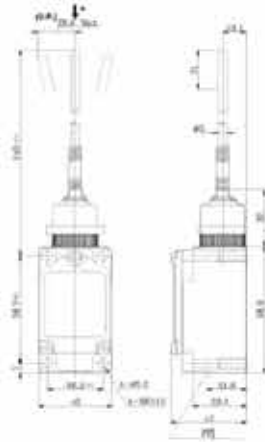
	Actuator	Flexible Rod	
Items	Model number	KLNJ KLNJ-A2	
External specification	Standard specification	IEC	
	Certified specification	CE, certified for electric product safety	
Structure	Contact point type	Dual terminal 2 circuit switch	
	Load	Standard load	Silver alloy
		Microload	Silver (gold plating)
Protection structure	IP67(IEC60529), KLD2(IP47)		
Electrical properties	Withstand voltage	Between live parts: AC1,000V 60/60Hz for 1minute Between dead parts: AC2,000V 50/60Hz for 1 minute	
	Isolation resistance	Isolation resistance 100MΩ or more(DC500V isolation resistance gauge)	
	Contact resistance (initial value)	Standard load	25mΩ or below
Allowed operating velocity		1 mm/s – 1 m/s	
Mechanical performance	Impact resistance	Roller lever : 200 m/s <sup>2</sup> of total travel position Non-directive actuation: 300 m/s <sup>2</sup> of total travel position Others: 300 m/s <sup>2</sup> free position and total travel position (Contact point in free position and total travel position or total travel position)	
	Vibration-resistance	Double vibration width: 1.5 mm, frequency 10–55Hz, for 2 consecutive hours (Others: free position and total travel position)	
Durability	Mechanical	10 million operations <plunger type & 5million operations, fork lever lock type & 2million operations>	
	Electrical	750,000 operations (when resistance is loaded 250VAC 10A)	
	Electrical (microload)	1 million operations	
Operating frequency	Mechanical	120operations/min	
	Electrical	30operations/min	
Environment conditions	Ambient temperature	-10°C ~ +80°C	



**KLNJ – A2 Coil spring & Aluminium rod type**



**KLNJ-A2**



**KLNJ-A2**

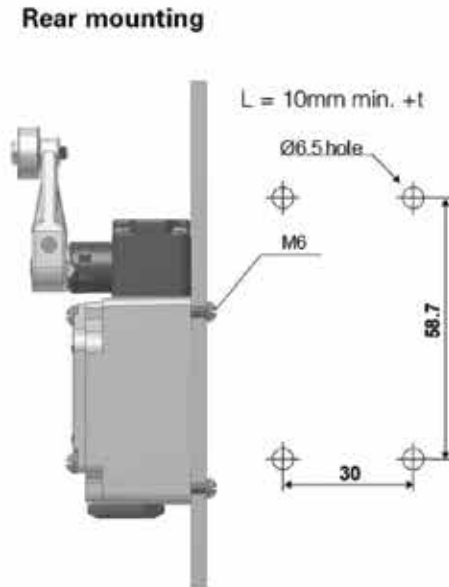
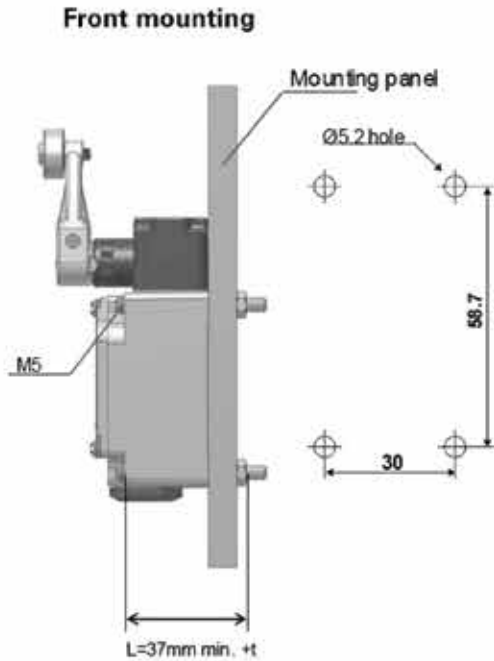
**ACTUATION PROPERTY**

Model	OF Max.	PT Max.	Material
KLNJ-A2	150g	28.6mm	Body: Aluminium alloy die-casting
			Head: Aluminium alloy die-casting
			Roller: Stainless steel
			Protection degree: IP67

<p>KLNJ-A2 Coil spring aluminium rod</p>	
<p>Non-directional</p>	

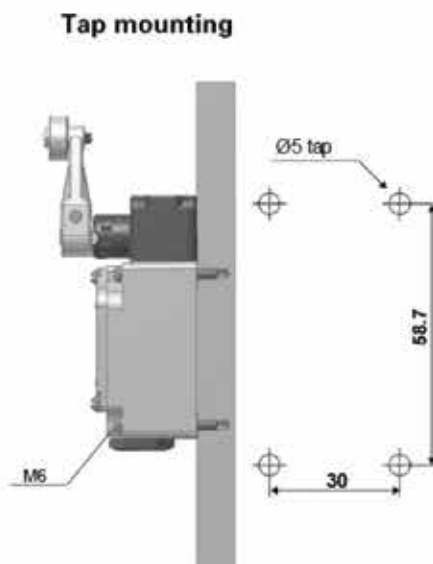


**Mounting**



To install the Switch, make a mounting panel, as shown in the diagram

$L = 29.2\text{mm} + \text{Tap depth}$   
 Tap depth = 8mm min.



CONTROL COMPONENTS

SQUARE LIGHT

TOWER LIGHT

MICRO SWITCH

FOOT SWITCH

**LIMIT SWITCH**

POWER SWITCH

HOIST SWITCH

CAM SWITCH

BUZZER

PHOTO SENSOR

PROXIMITY SENSOR

FLOATLESS LEVEL SWITCH

TIMER & COUNTER

RELAY

SOCKETS

TERMINAL BLOCK

CONTROL BOX


PID TEMP. CONTROLLER



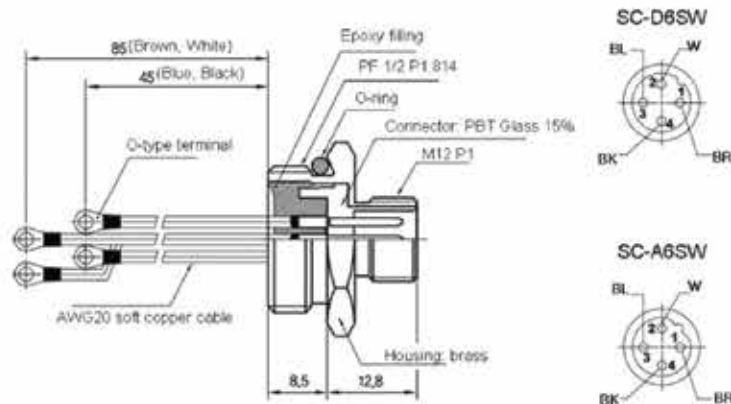
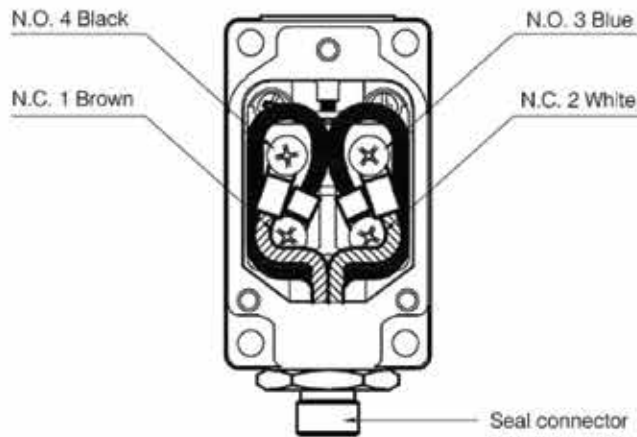
LIMIT SWITCH



USING THE SWITCHES

Instructions	Applicable actuators	Description
<p><b>Lever rod length can be adjusted.</b> Lever or rod length can be adjusted by loosening hex bolt.</p>	<p>Adjustable roller lever, Adjustable roller lever,</p>	<p>Rod length can be adjusted by unscrewing nut.</p> 

WIRING METHOD



- CONTROL COMPONENTS
- SQUARE LIGHT
- TOWER LIGHT
- MICRO SWITCH
- FOOT SWITCH
- LIMIT SWITCH**
- POWER SWITCH
- HOIST SWITCH
- CAM SWITCH
- BUZZER
- PHOTO SENSOR
- PROXIMITY SENSOR
- FLOATLESS LEVEL SWITCH
- TIMER & COUNTER
- RELAY
- SOCKETS
- TERMINAL BLOCK
- CONTROL BOX
- PID TEMP. CONTROLLER