



1

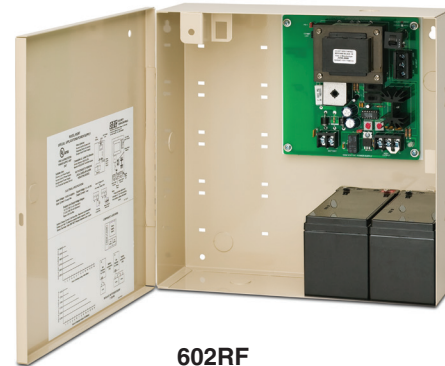
ACCESS CONTROL

DESCRIPTION

The **SDC 602RF** Power Supply-Charger devices are equipped with high performance transformers and highly reliable electronic components. Filtering and output voltage regulation provides protection and ensures the longevity of all system components. The user-friendly modular designs ensure versatility, interface capability and easy installation of electric locking devices, access controls and related safety equipment. The AC input is fuse protected and the secondary DC output is protected by auto-reset poly fuse.

FEATURES

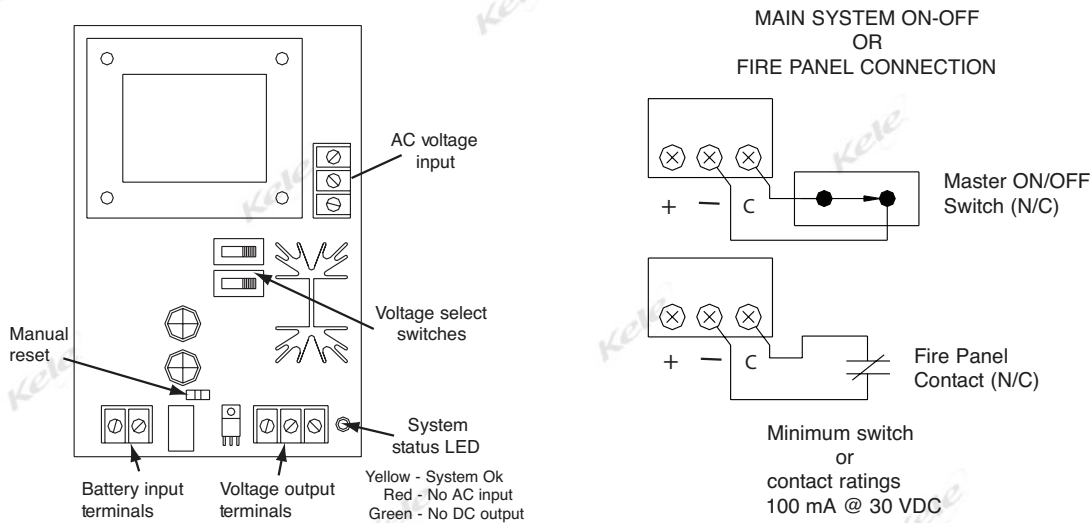
- **Emergency release input**
- **Field selectable output 12/24VDC**
- **Input and output protection**
- **System status**
- **Low battery disconnect**



602RF



WIRING



SPECIFICATIONS

Supply Voltage	115VAC, 50/60 Hz	Weight	8.8 lb (3.99 kg)
Battery	Charger = 13.5/27VDC, 500 mA	Approvals	UL file #BP7341
Supply Current	600 mA	Warranty	1 year
Output	12/24 VDC, 1 amp		
Dimensions	12"W x 12"H x 4"D (30.5 x 30.5 x 10.2 cm)		

ORDERING INFORMATION

602RF	Power supply 12/24 VDC 1A
KL	Key lock cover
MR	Manual reset fire alarm release
PC	Power cord, 6 ft
PS-1	System on-off push switch mounted inside cabinet
PS-1A	System on-off push switch mounted on outside cover
230VAC	Input (not UL)
4-2	7 Day Skip A Day Timer