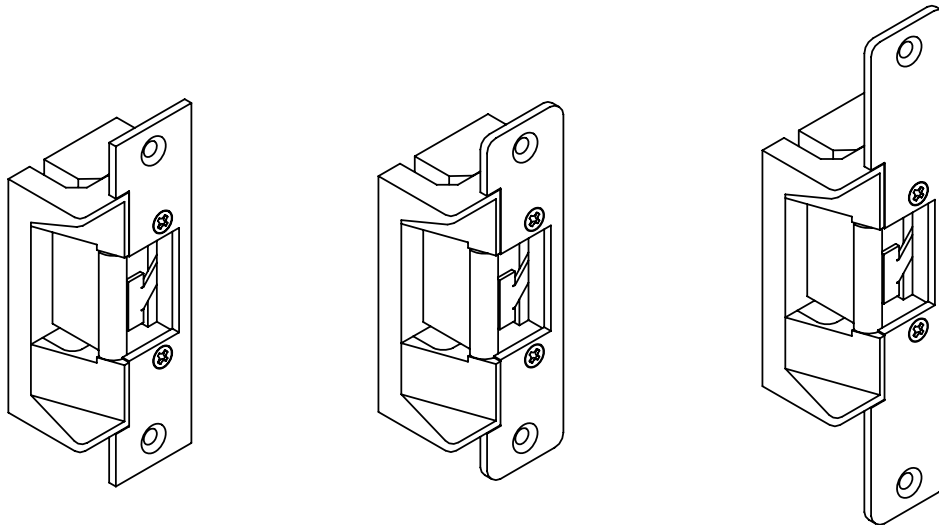




INSTALLATION INSTRUCTIONS 45 SERIES ELECTRIC STRIKES



MODELS:

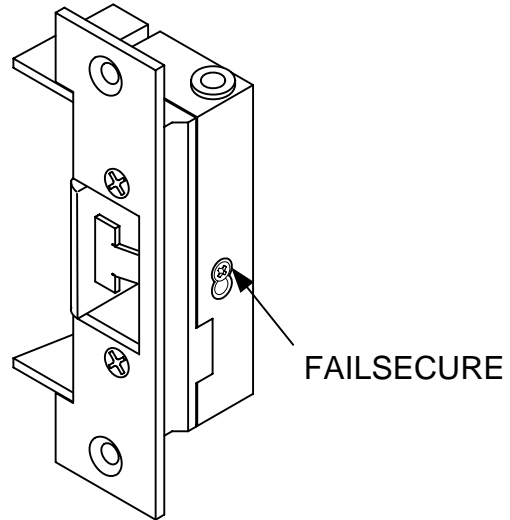
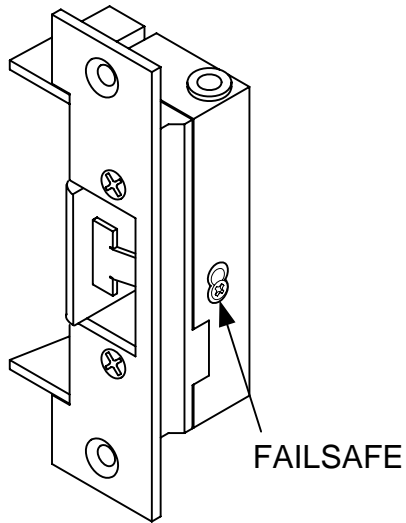
- 45-4S – 4.875" (124mm) Square corners for hollow metal frames.
- 45-4R – 4.875" Radius corners for aluminum frame.
- 45-6R – 6.875" Radius corners for aluminum/wood frame.
- 45-7R – 7.938" Radius corners for aluminum/wood frame

FEATURES:

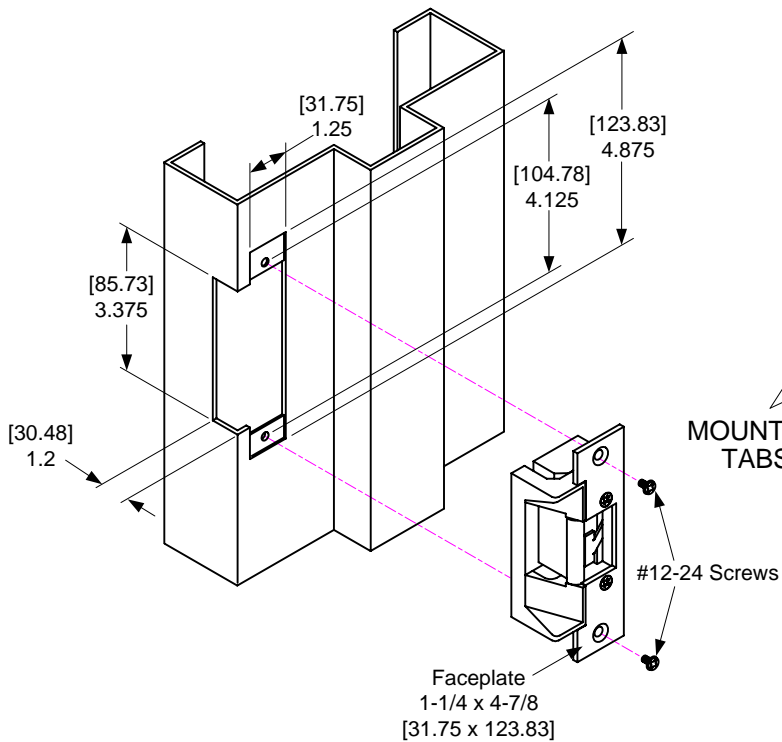
- For 5/8" latch or 3/4" latch with 1/8" door gap.
- **Latch bolt monitor standard.**
- **Keeper closed & deadlocked standard.**
- Field selectable failsafe / failsecure.
- Field selectable voltage, 12/24V AC/DC
- 1/4" horizontal alignment adjustment.
- Plug-in wire connectors.
- Low profile, 1-3/16" deep
- All stainless steel parts with durable die cast body for corrosion resistance.
- Fewer moving parts for maximum life.
- 630 stainless steel standard.
- ANSI A156.31
- UL Listed (BP10254)
- U.S. Patent #7,540,542 B2

Any suggestions or comments to this instruction or product are welcome. Please contact us through our website or email engineer@sdsecurity.com

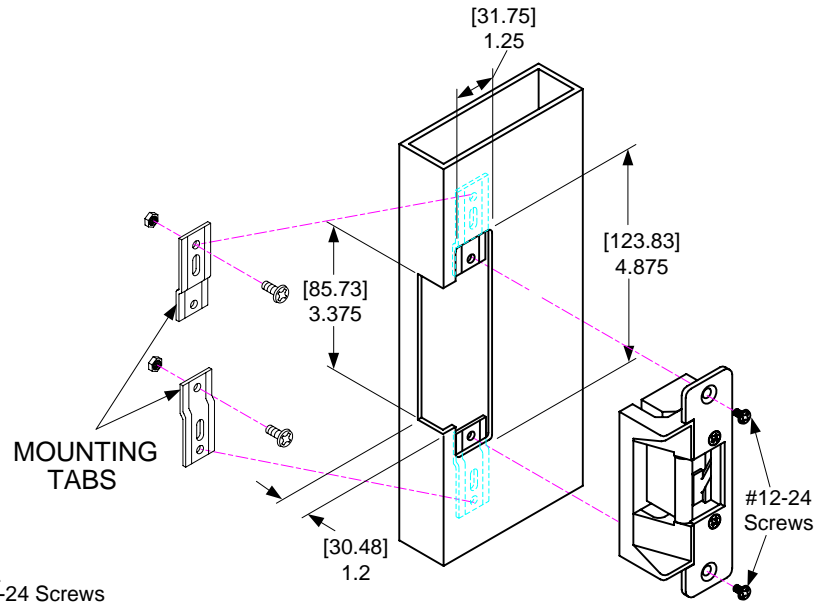
Failsecure standard. Field adjustable from Failsecure to Failsafe as shown.



Typical Hollow Metal Frame



Typical Aluminum Frame

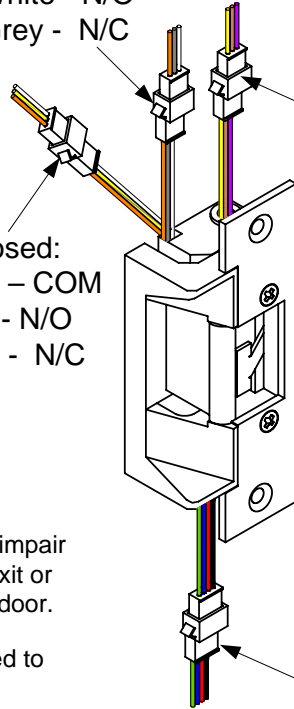


Electrical Data:

- Dual Voltage: 200/100mA @ 12/24VDC
140/70mA @ 12/24VAC

Latch Status: Orange - COM
White - N/O
Grey - N/C

Keeper-Open/Closed:
Wht/Blk - COM
Yel/Blk - N/O
Org/Blk - N/C



Monitoring:

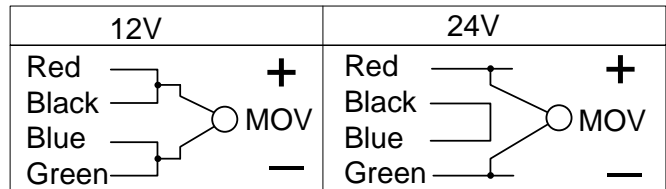
- **Latch Status:** SDPT, dry 3Amp @ 30V (standard)
- **Keeper Closed and Deadlocked** (standard)
- **Keeper Open/Closed Status:** SPDT, Dry 3Amp @ 30V (optional)

Keeper/Deadlocked: Purple - COM
Brown - N/O
Yellow - N/C

Notes:

The electric door strike shall be installed in such a way as not to impair the operation of an emergency exit or panic hardware mounted on the door.

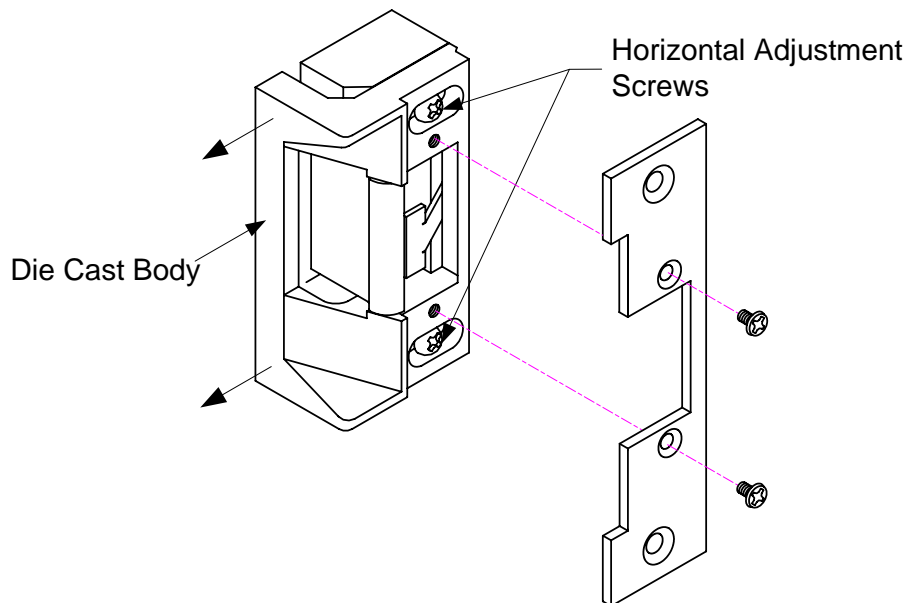
Wire leads must not be connected to conductors larger than 18AWG



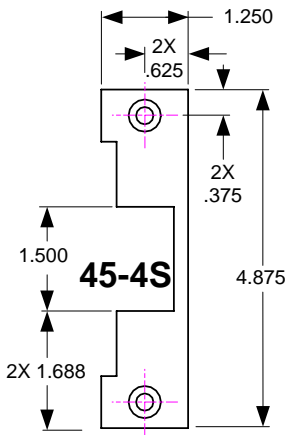
Solenoid: Black, Red, Blue & Green

Horizontal Adjustment

Remove Faceplate. Loosen Horizontal Adjustment Screws and slide Die Cast Body out as needed. Retighten Adjustment Screws and replace Faceplate.

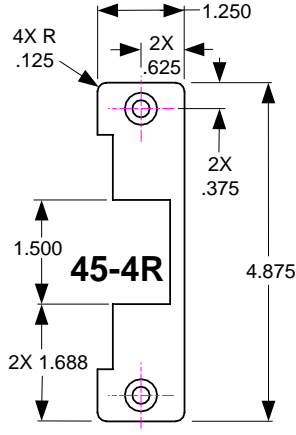


**HOLLOW METAL,
SQUARE CORNER
FACEPLATE**



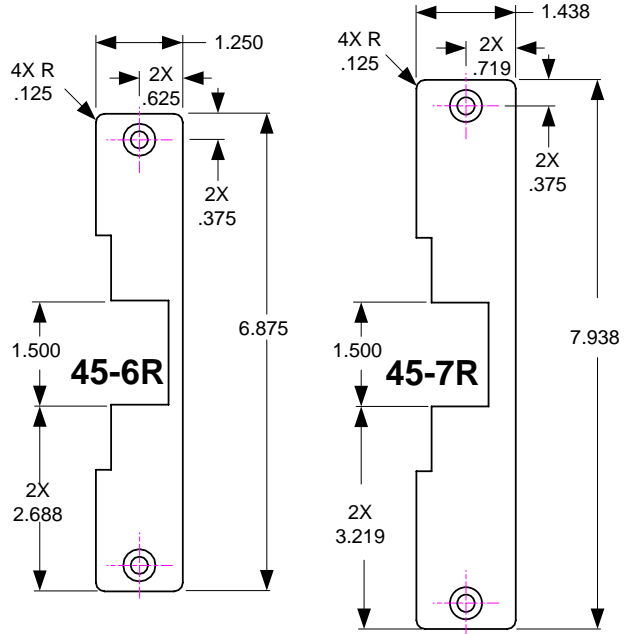
MATERIAL THICKNESS = .110

**ALUMINUM
RADIUS CORNER
FACEPLATE**



MATERIAL THICKNESS = .110

**ALUMINUM / WOOD
RADIUS CORNER FACEPLATES**



MATERIAL THICKNESS = .110

**45 SERIES ELECTRIC STRIKE FRAME PREPARATION
FOR HOLLOW METAL FRAMES**

